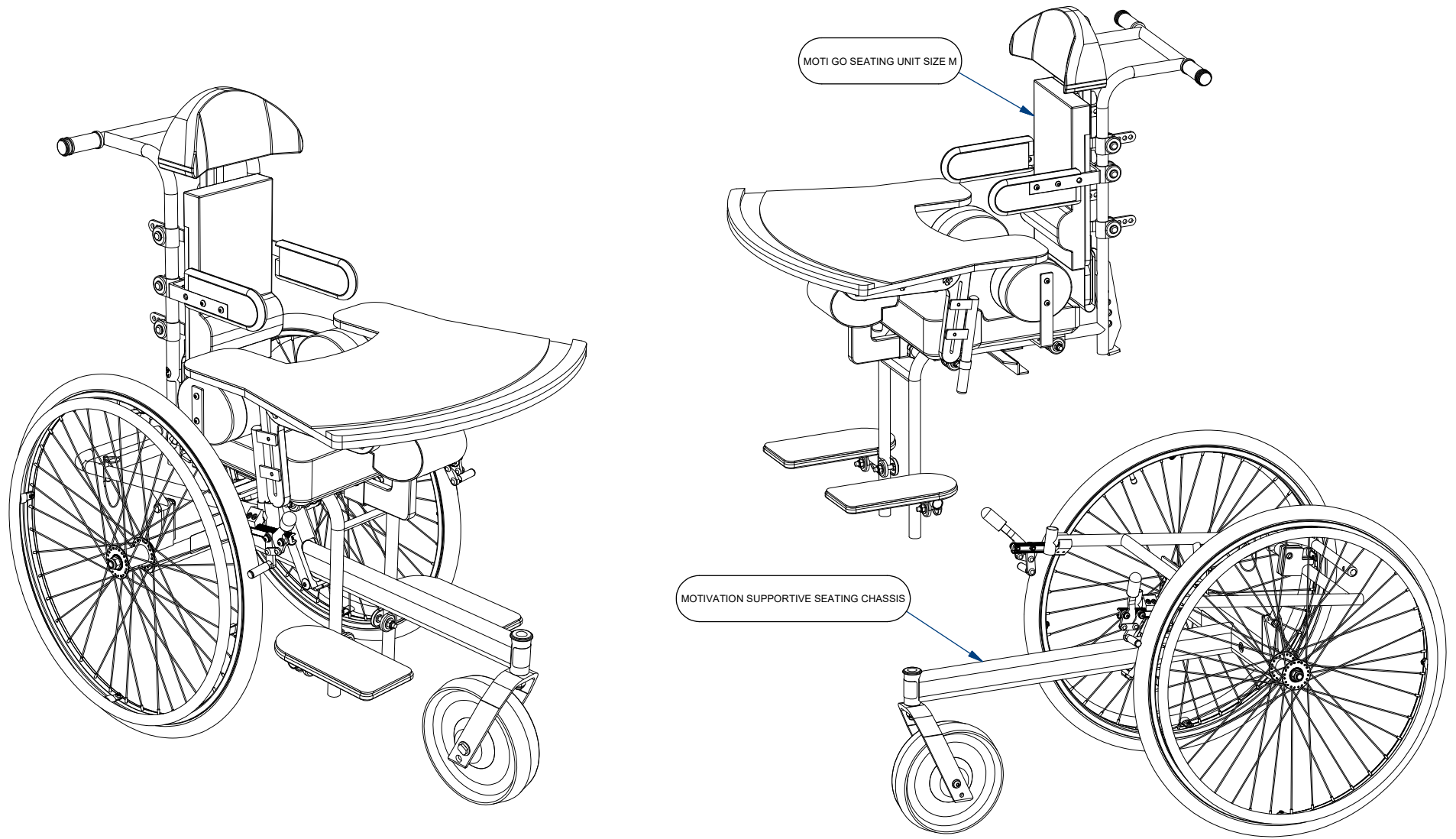
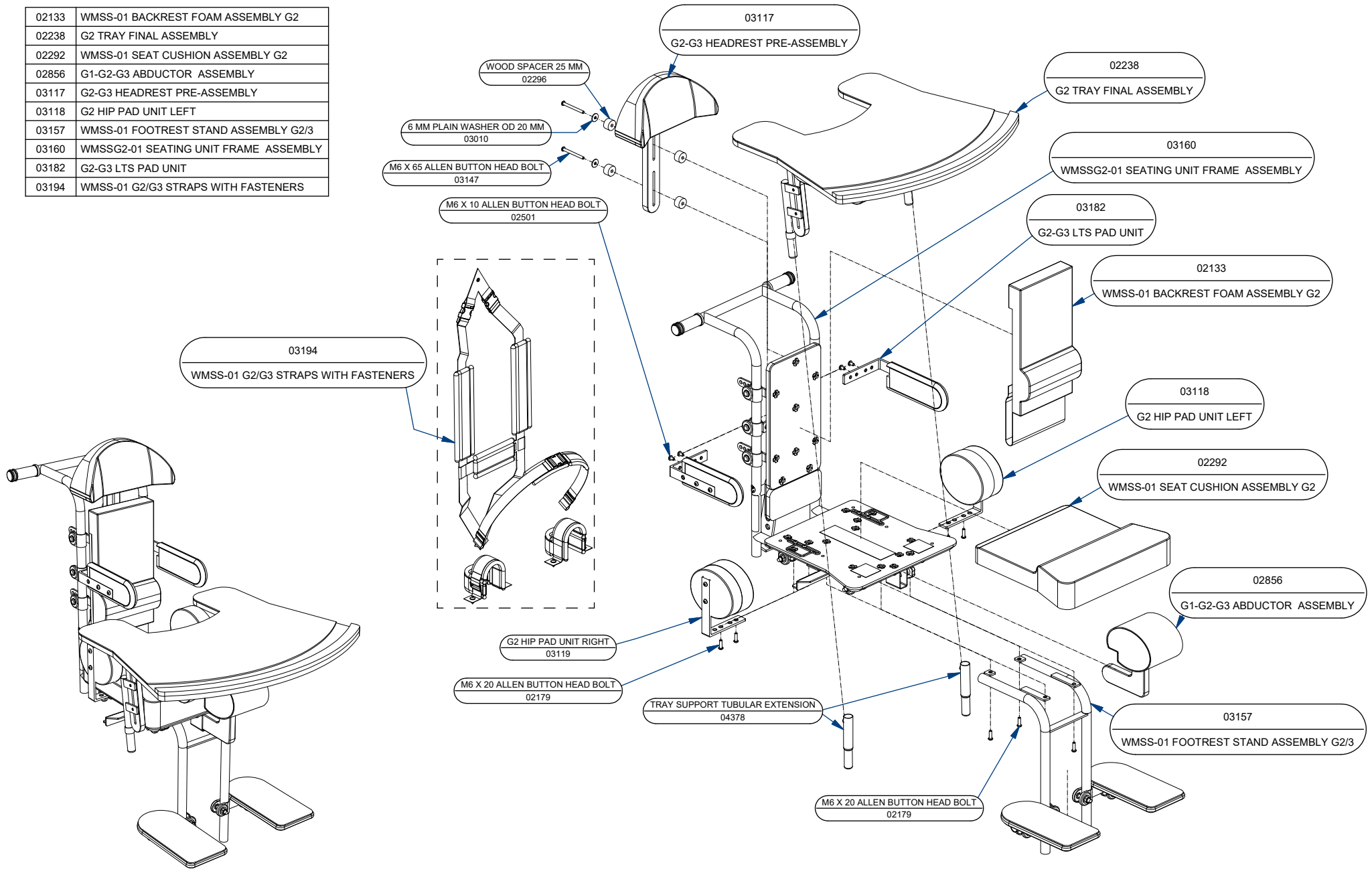


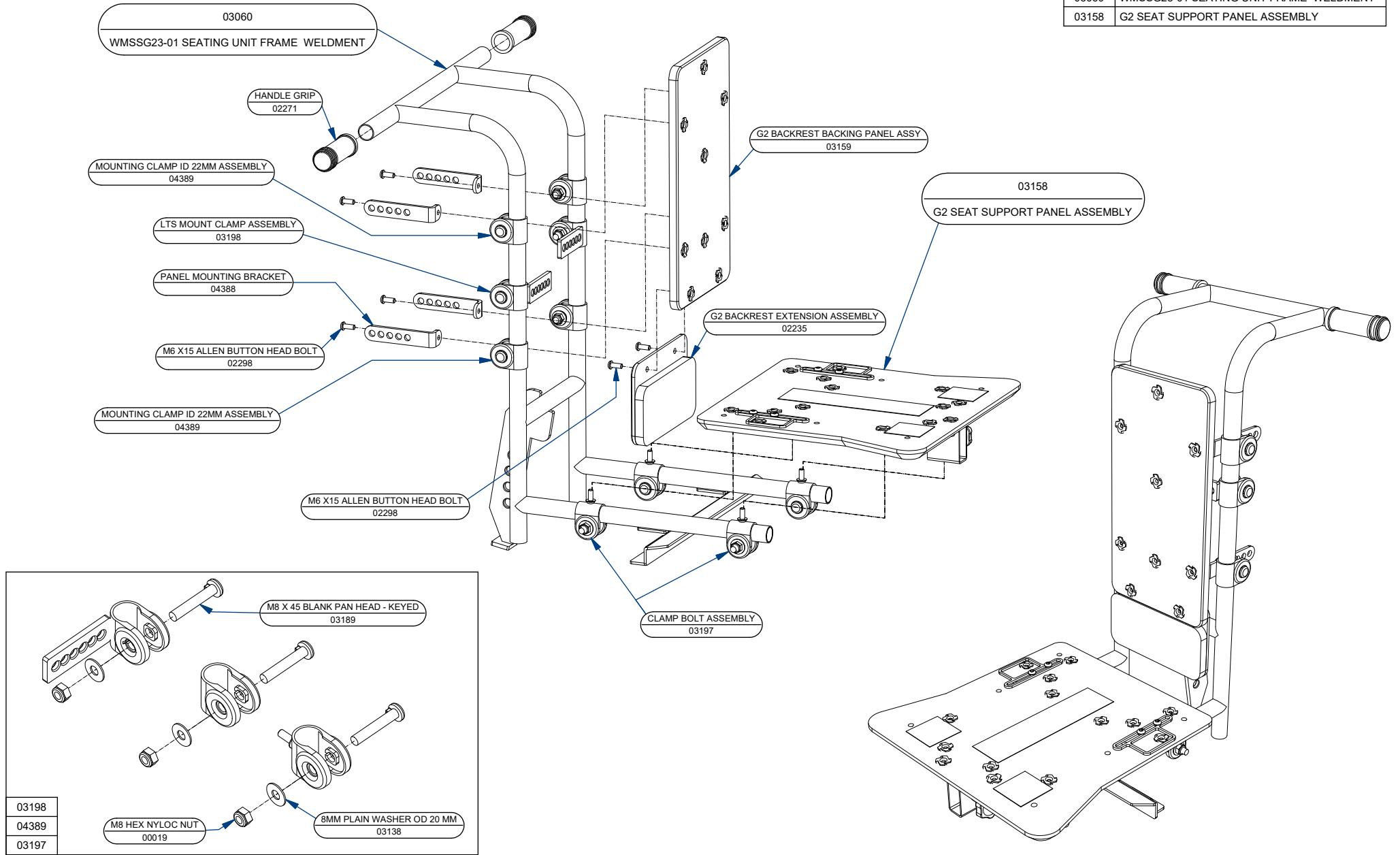
# MOTI GO SUPPORTIVE SEATING SYSTEM



02133	WMSS-01 BACKREST FOAM ASSEMBLY G2
02238	G2 TRAY FINAL ASSEMBLY
02292	WMSS-01 SEAT CUSHION ASSEMBLY G2
02856	G1-G2-G3 ABDUCTOR ASSEMBLY
03117	G2-G3 HEADREST PRE-ASSEMBLY
03118	G2 HIP PAD UNIT LEFT
03157	WMSS-01 FOOTREST STAND ASSEMBLY G2/3
03160	WMSSG2-01 SEATING UNIT FRAME ASSEMBLY
03182	G2-G3 LTS PAD UNIT
03194	WMSS-01 G2/G3 STRAPS WITH FASTENERS

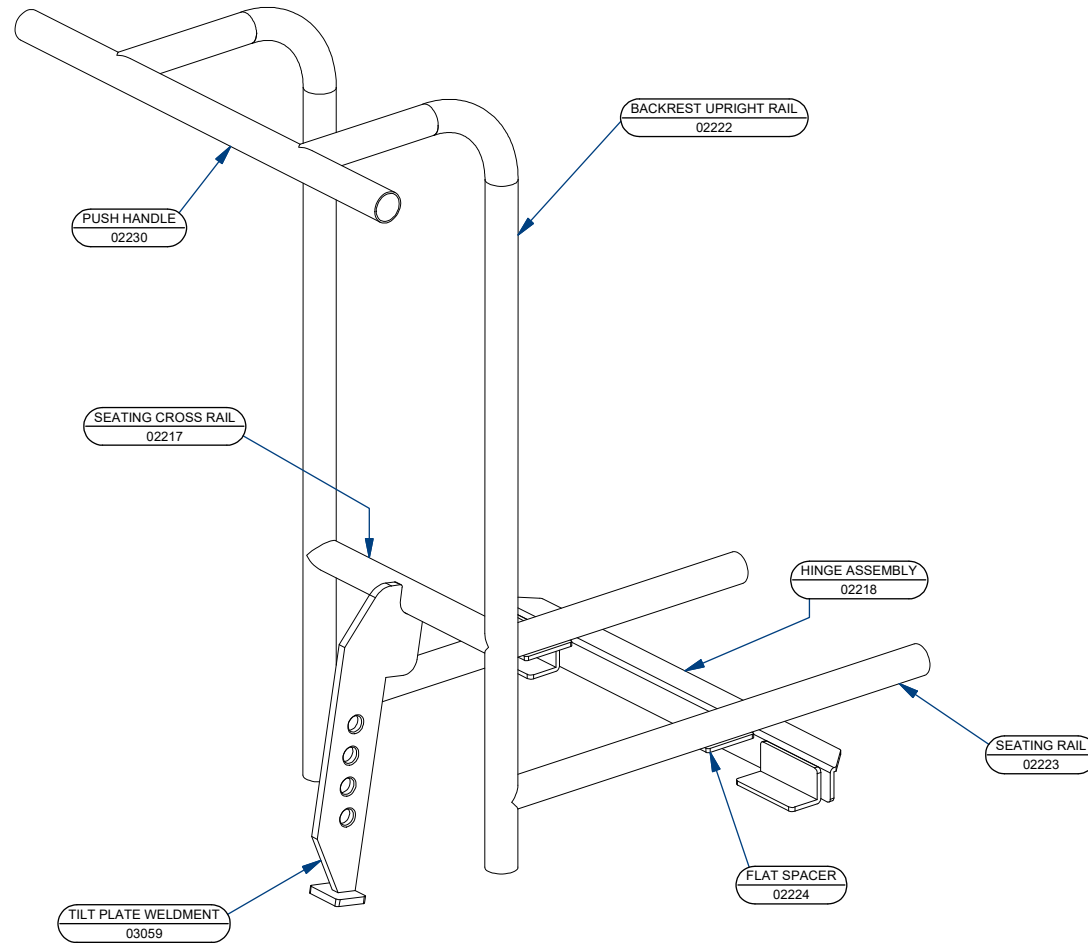


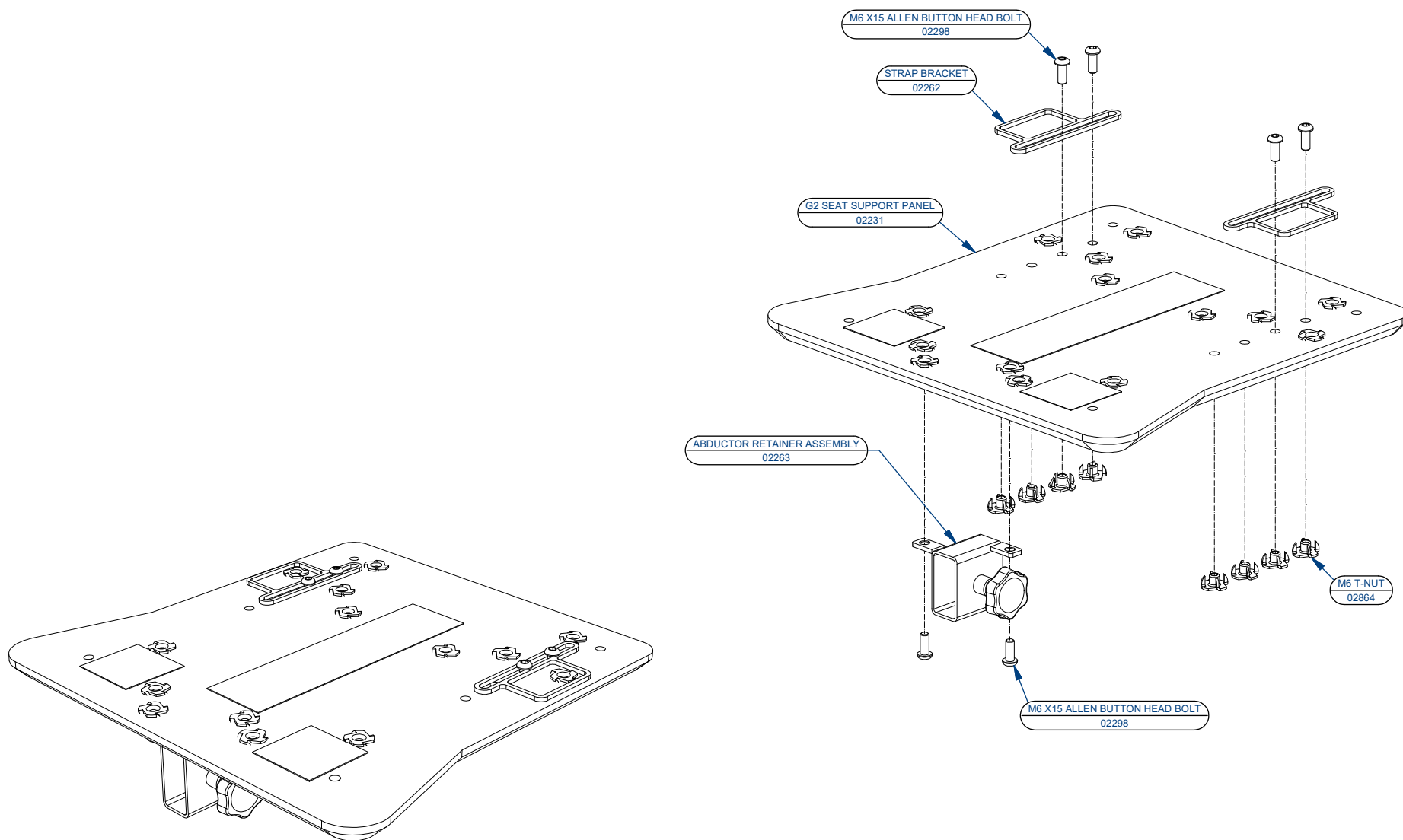
03060	WMSSG23-01 SEATING UNIT FRAME WELDMENT
03158	G2 SEAT SUPPORT PANEL ASSEMBLY



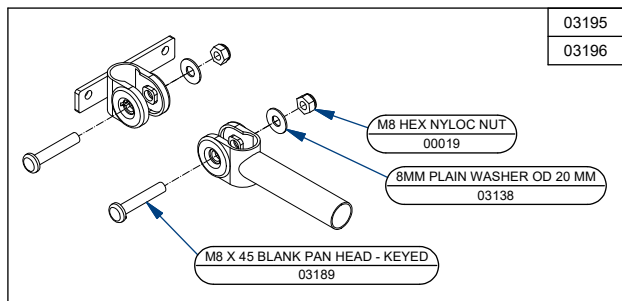
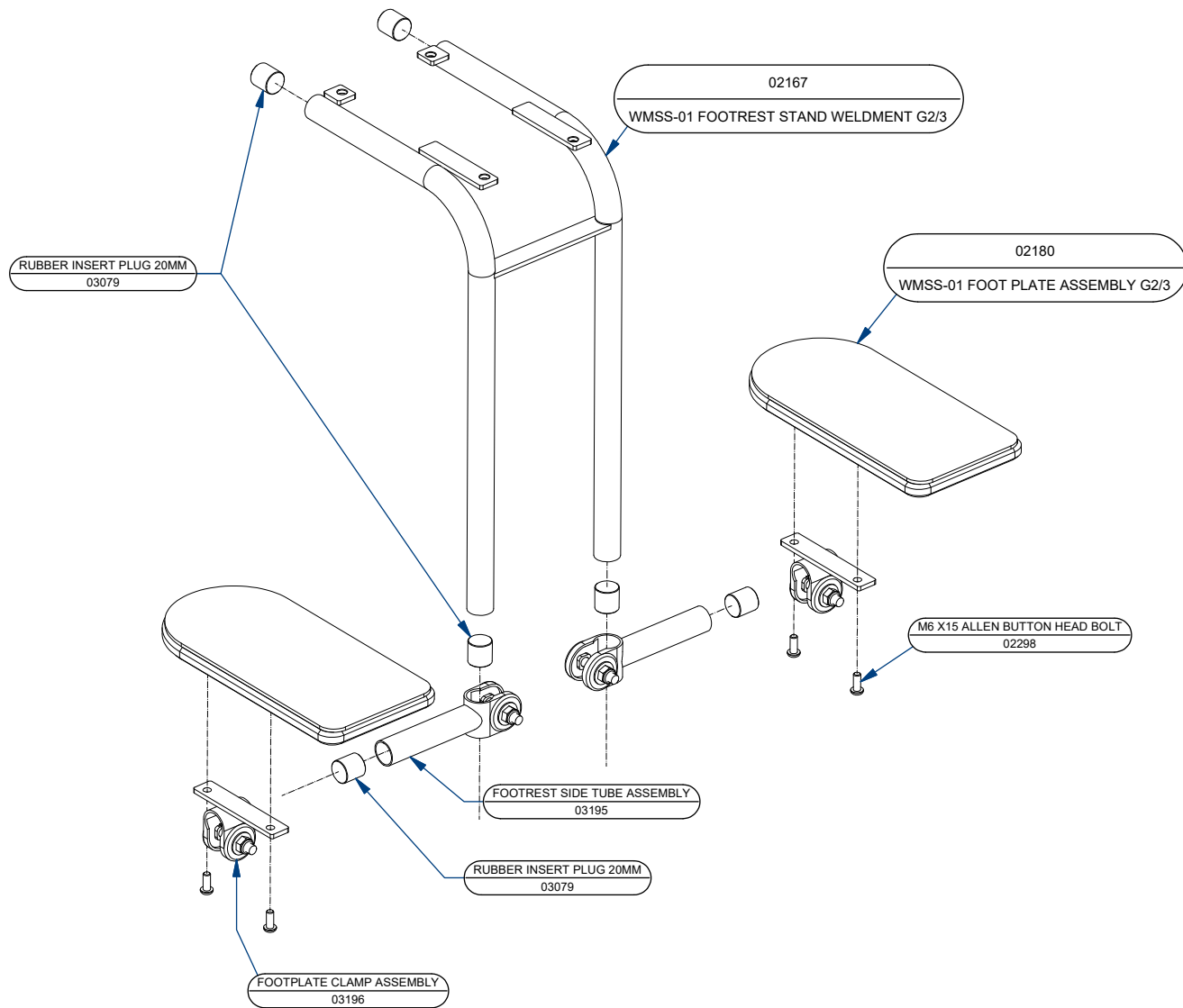
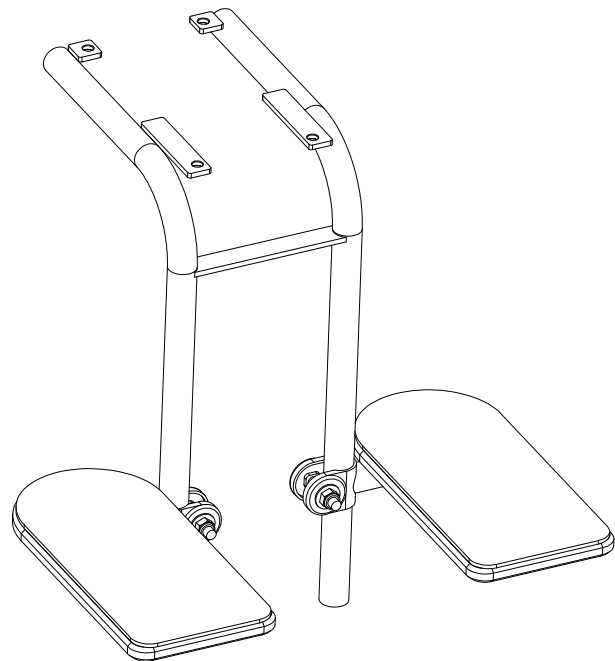
03198
04389
03197

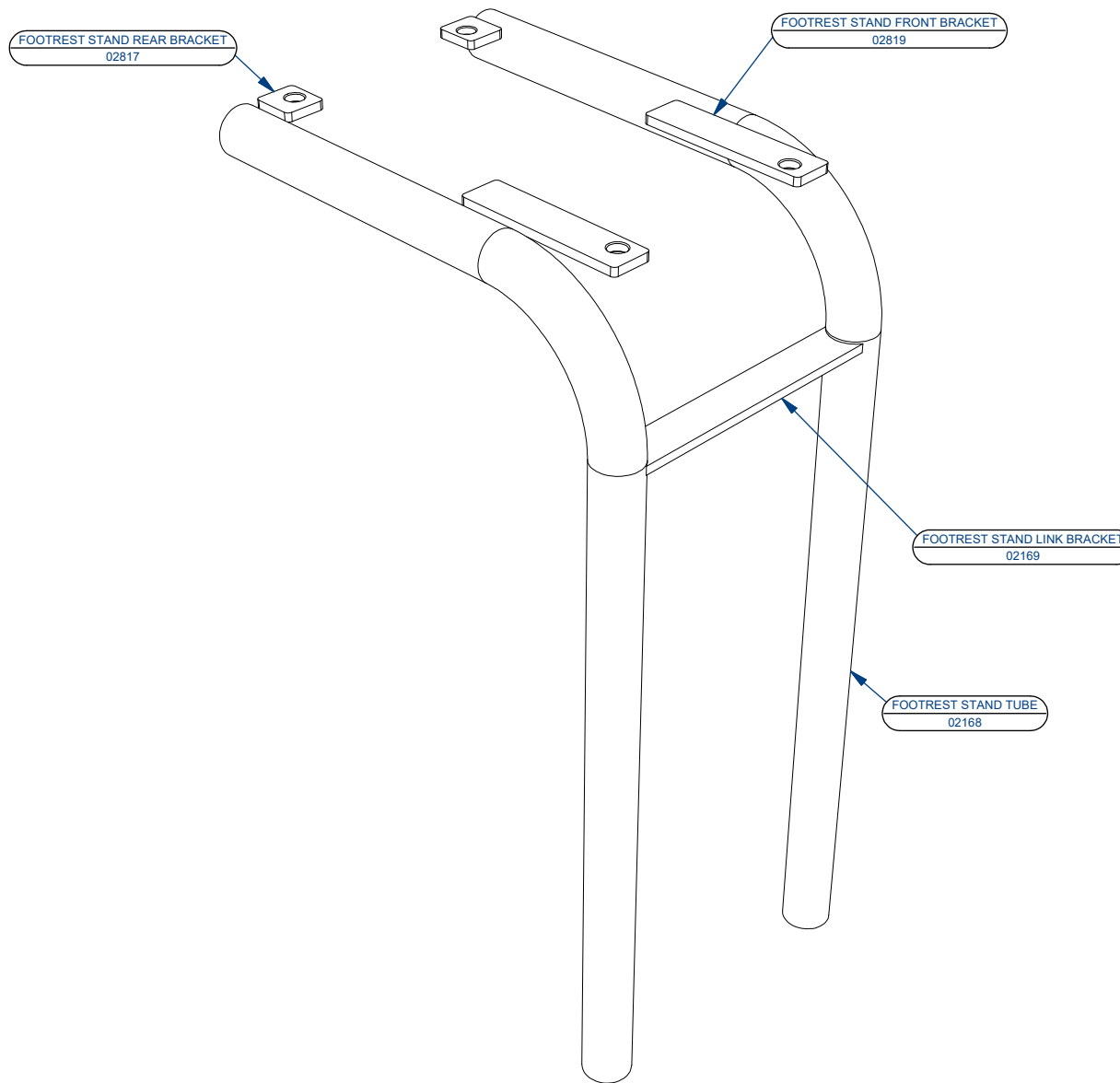
M8 HEX NYLOC NUT	00019
8MM PLAIN WASHER OD 20 MM	03138

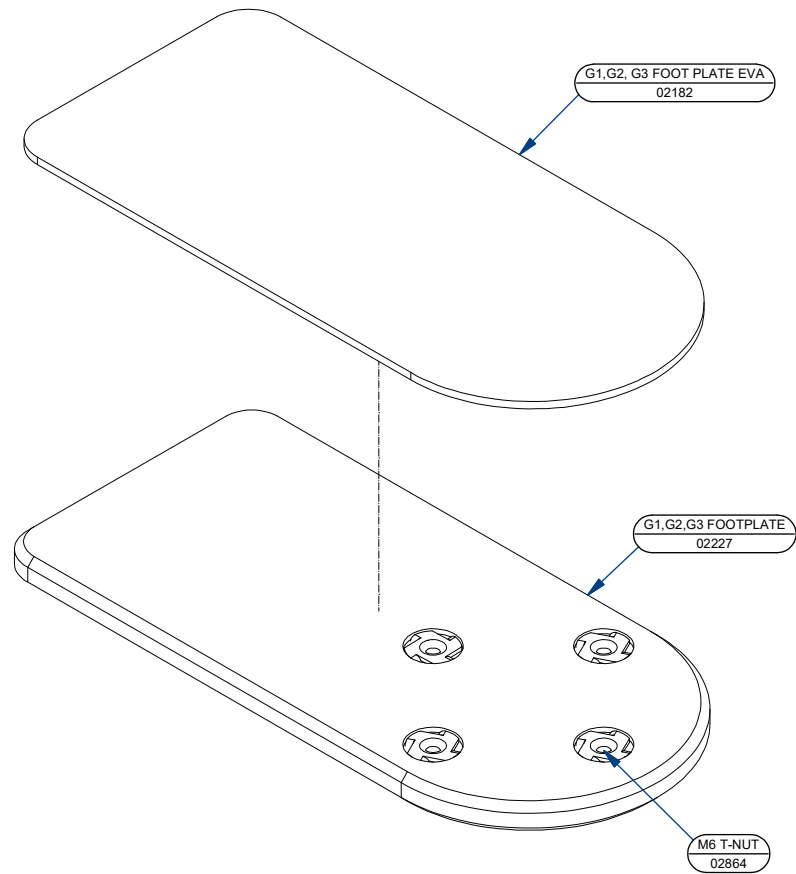
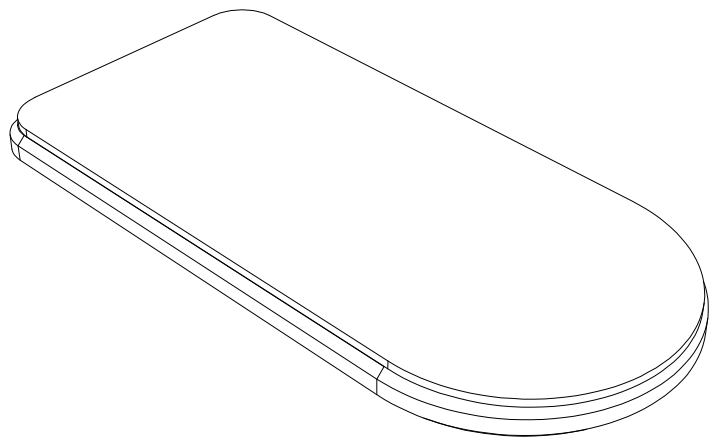




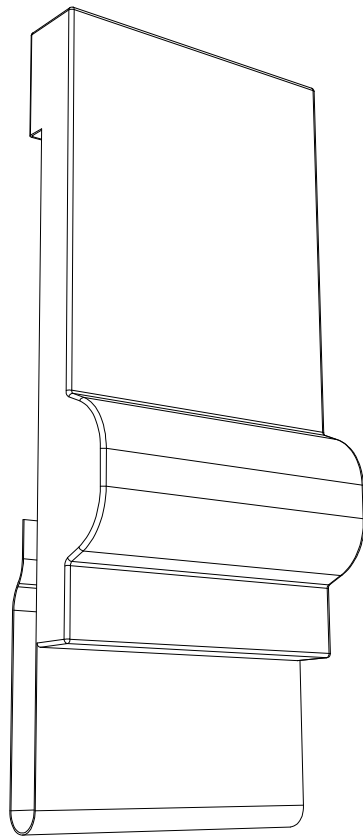
02167	WMSS-01 FOOTREST STAND WELDMENT G2/3
02180	WMSS-01 FOOT PLATE ASSEMBLY G2/3



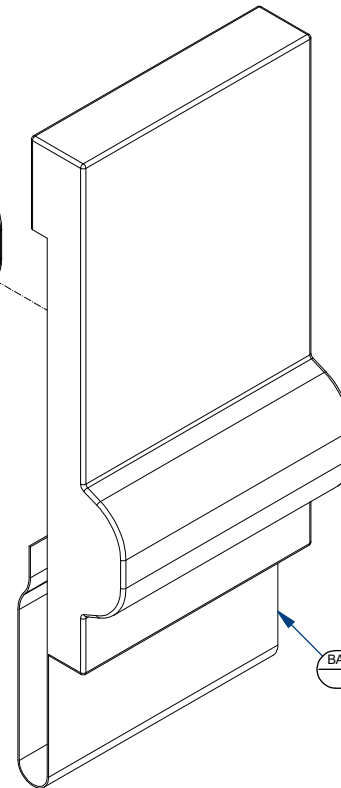
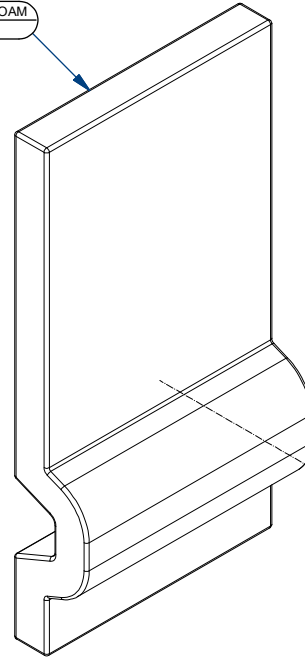






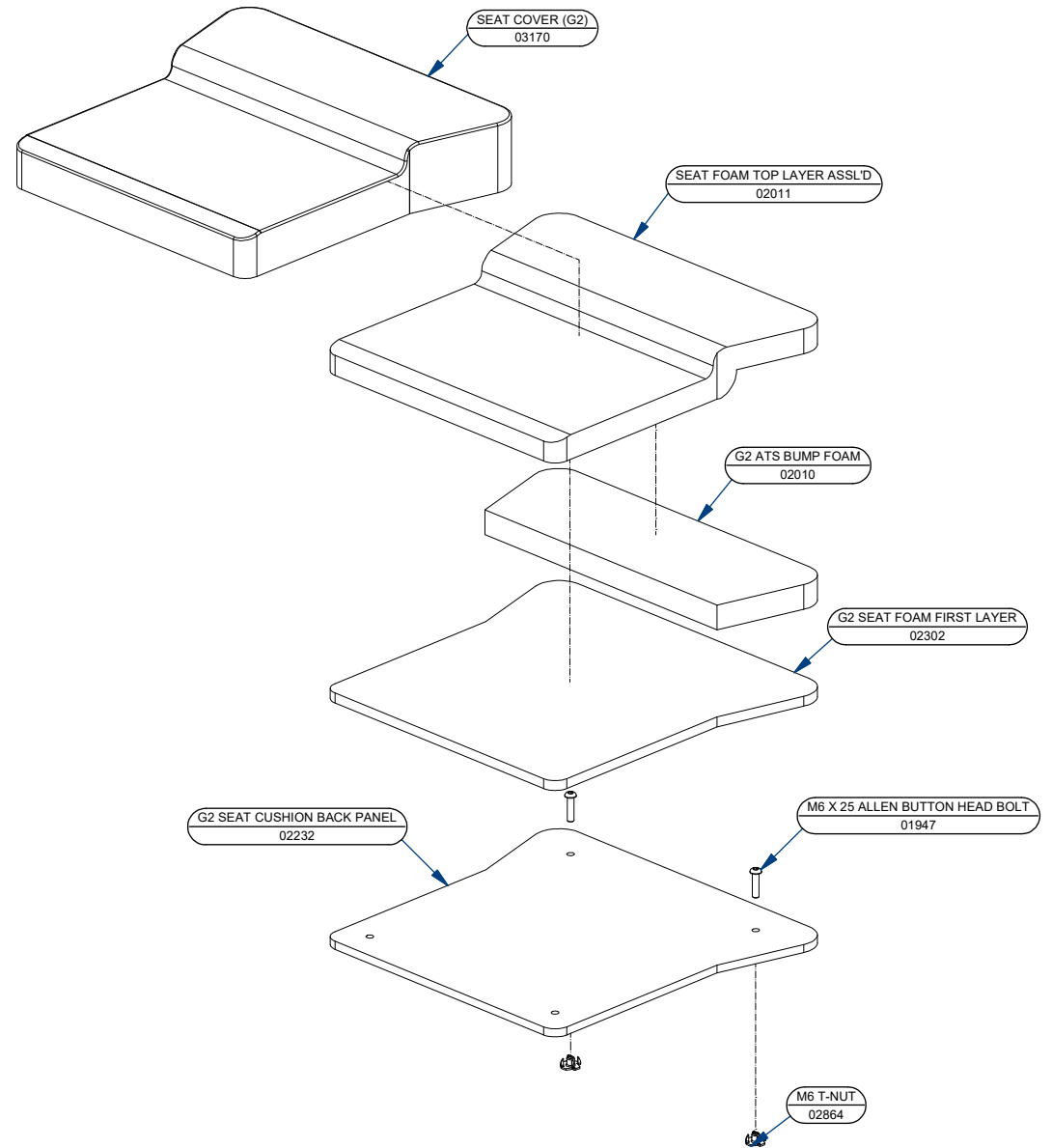
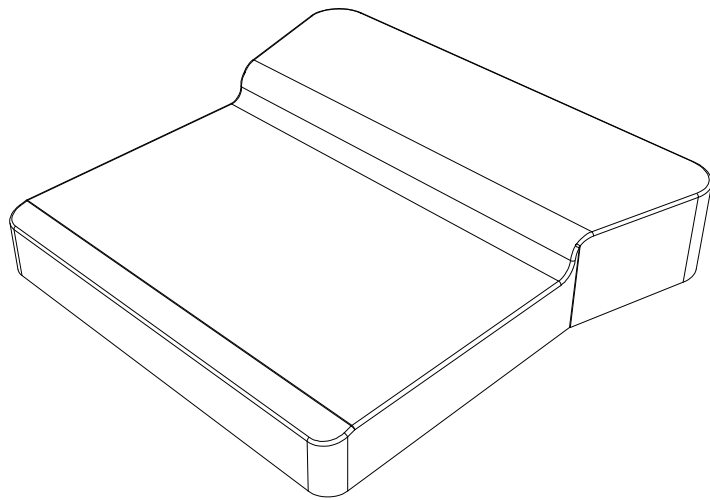


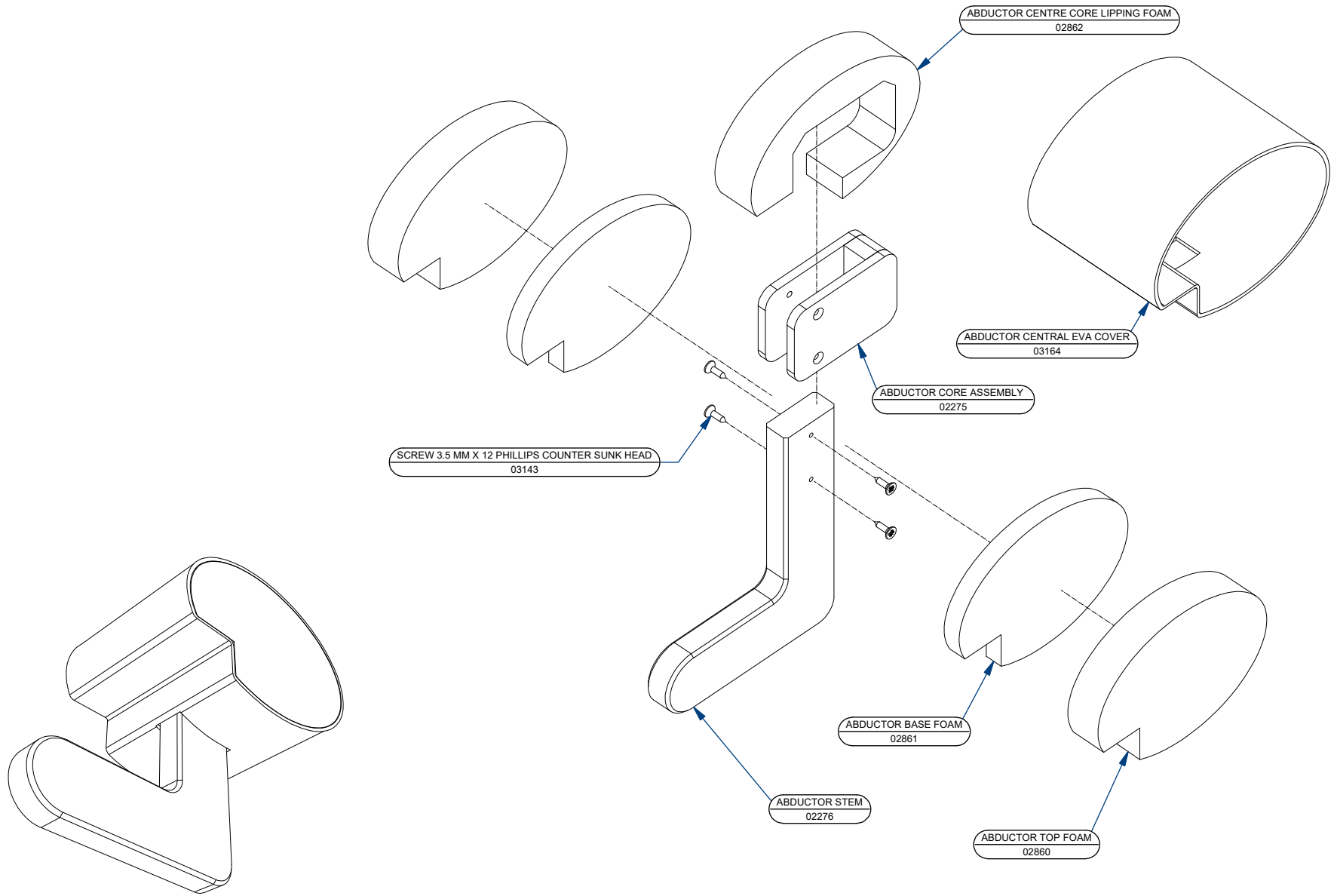
G2 BACKREST FOAM  
02146

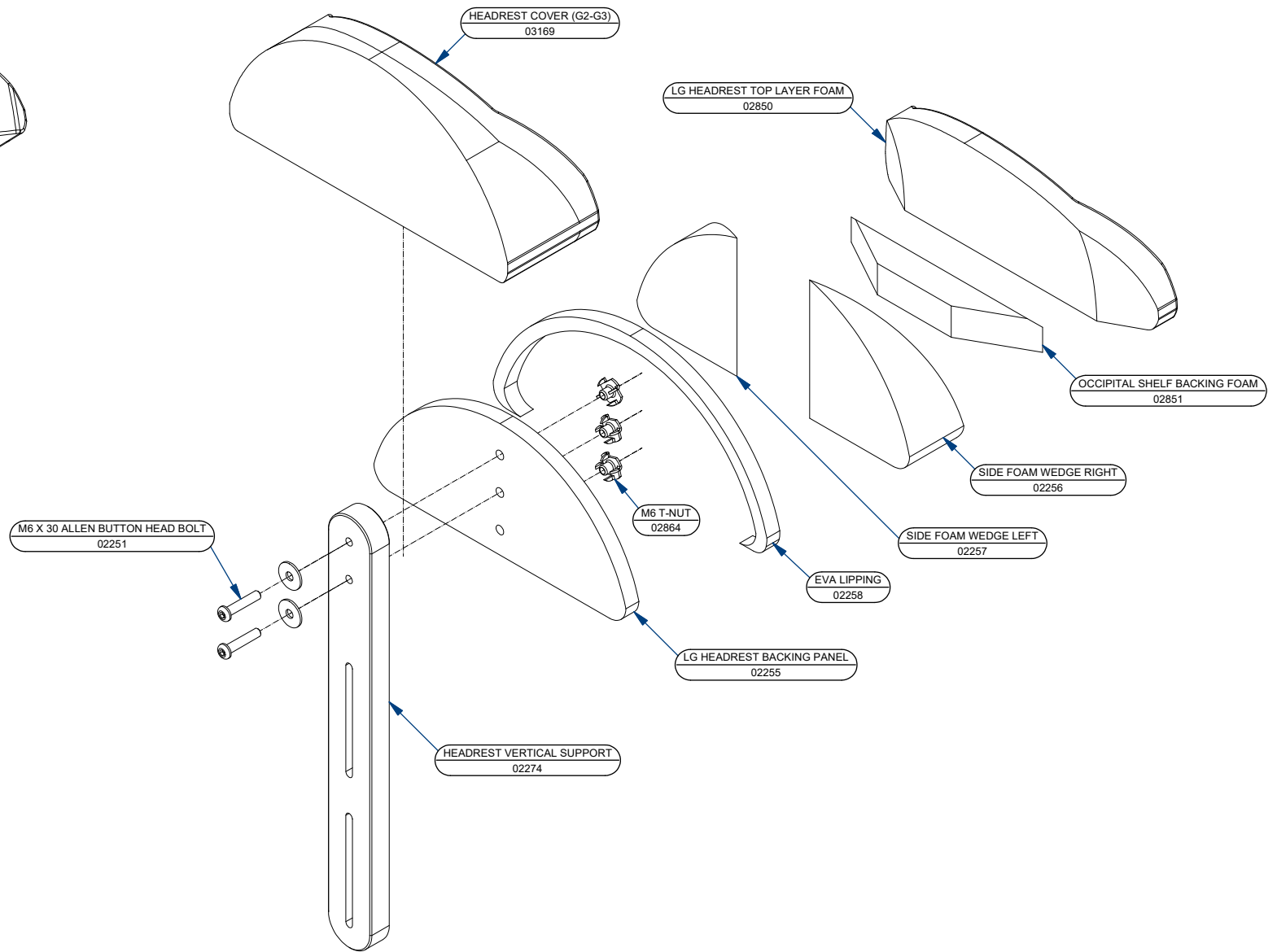
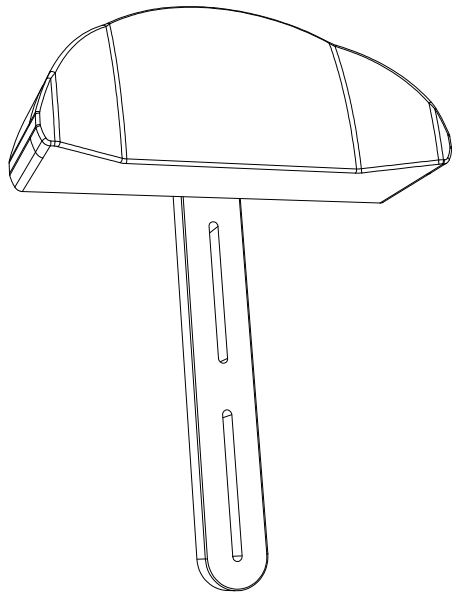


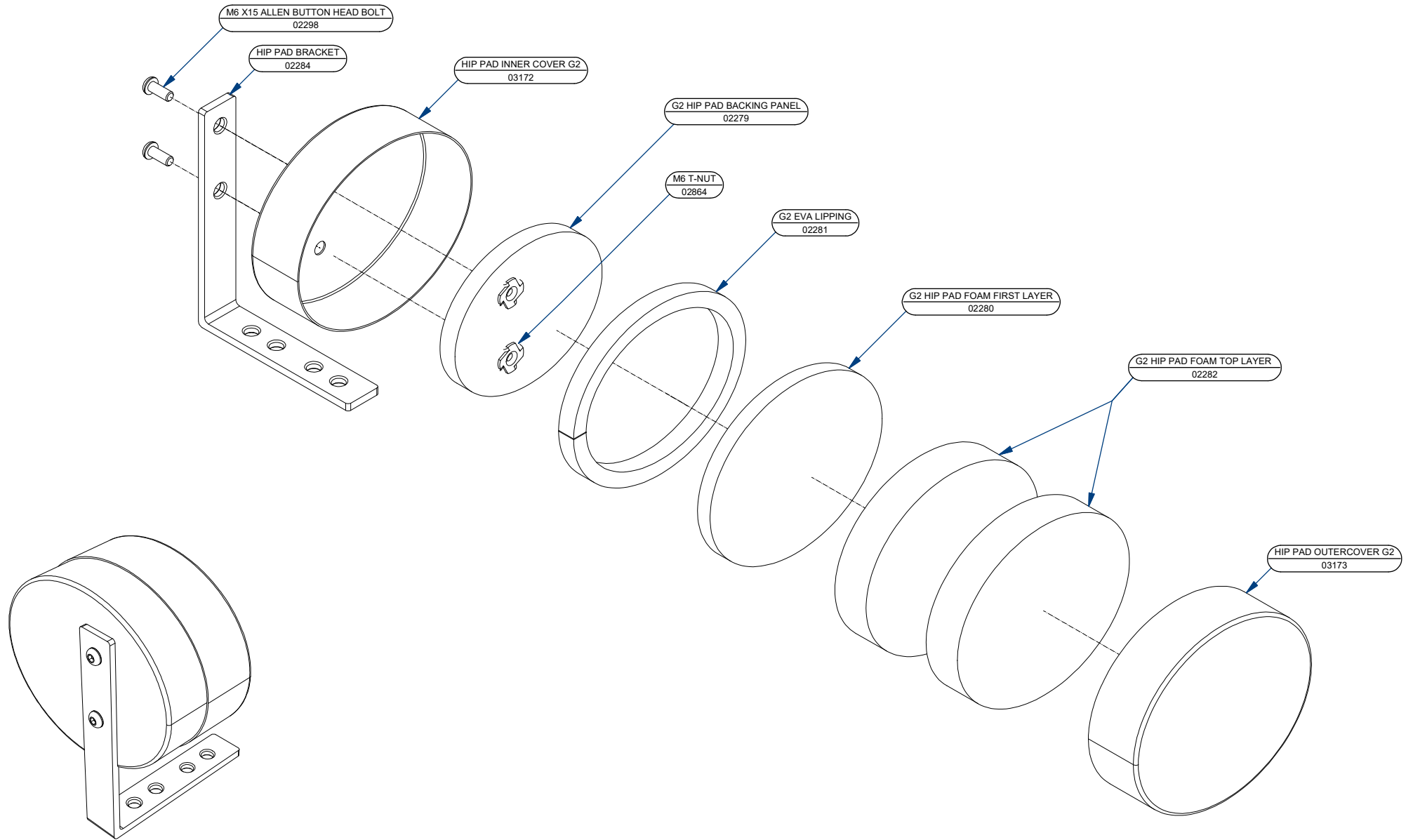
BACKREST COVER (G2)  
03171

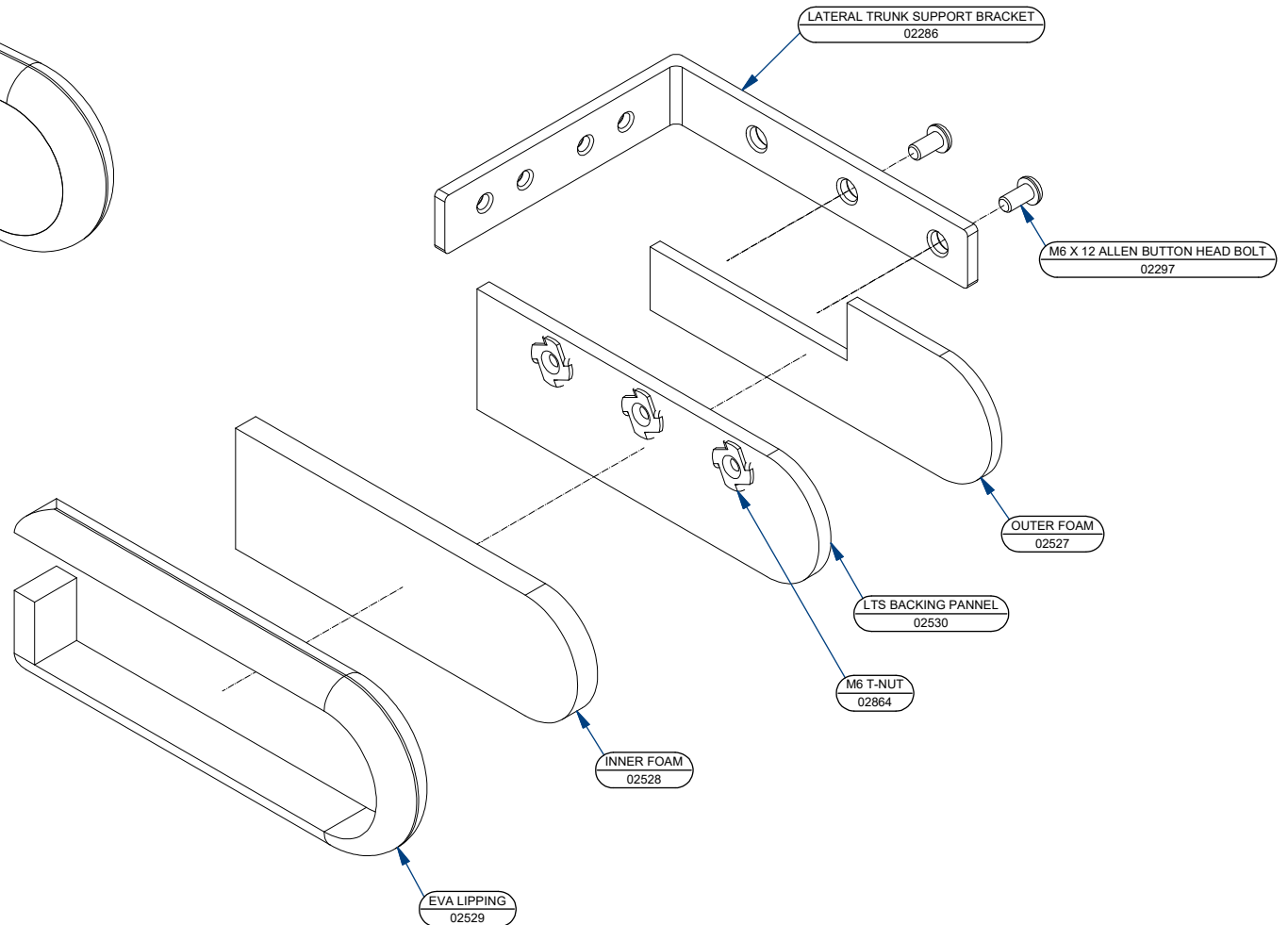
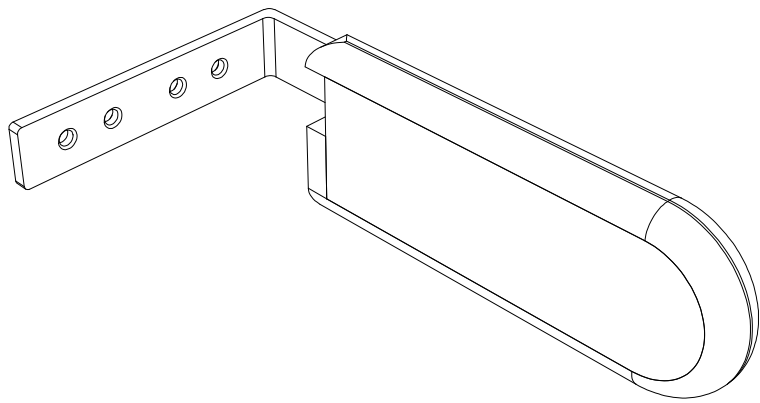


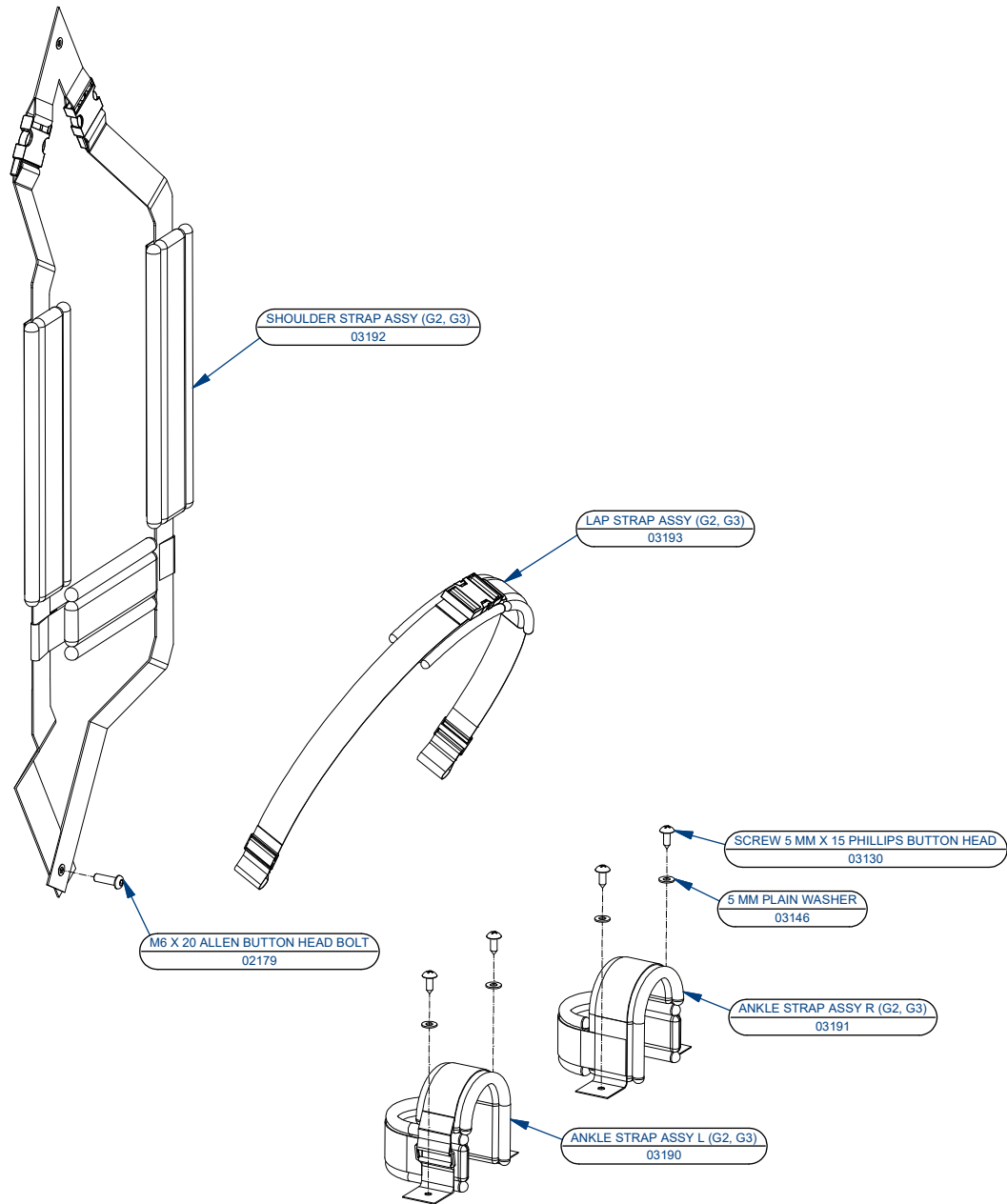


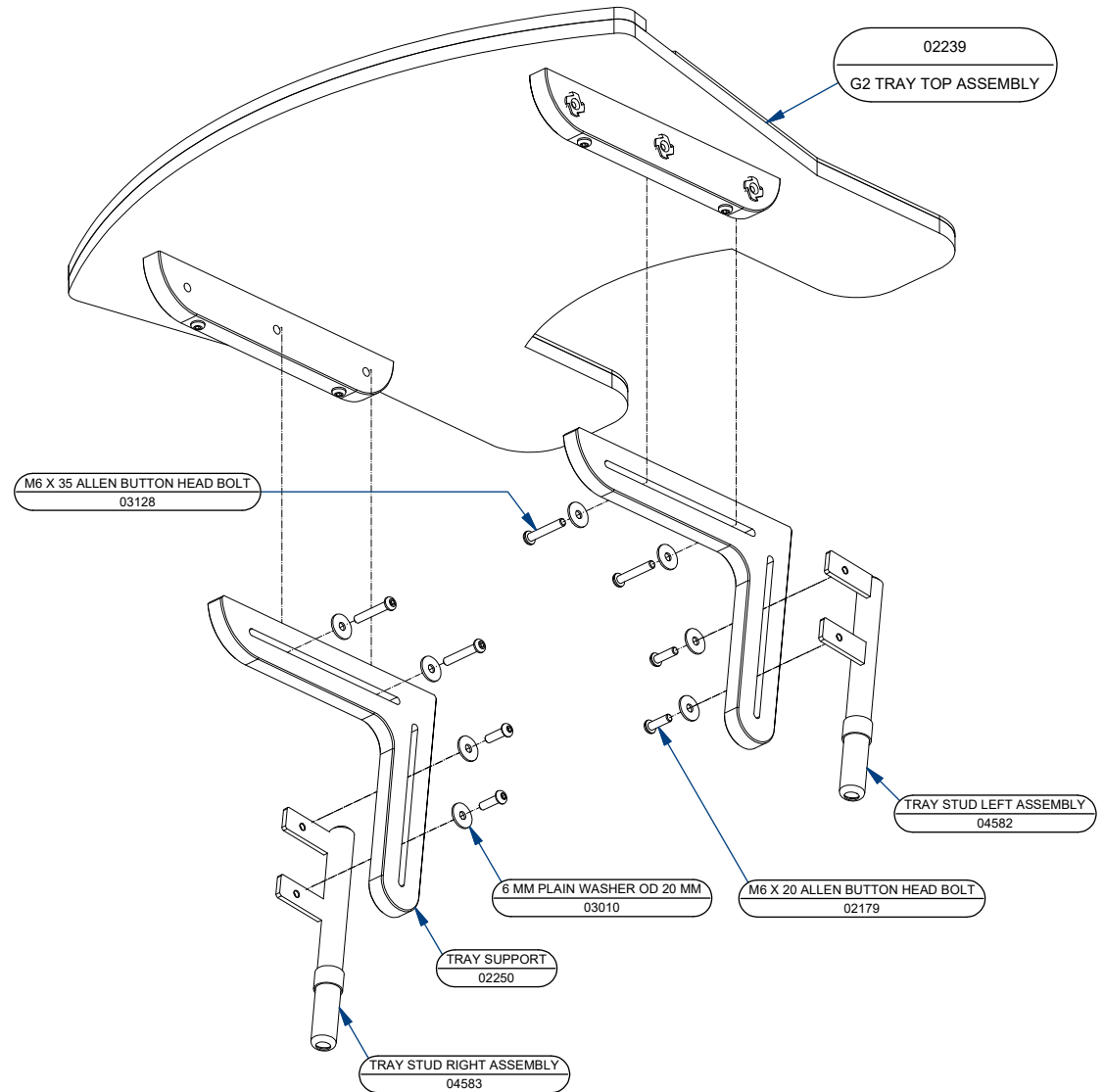
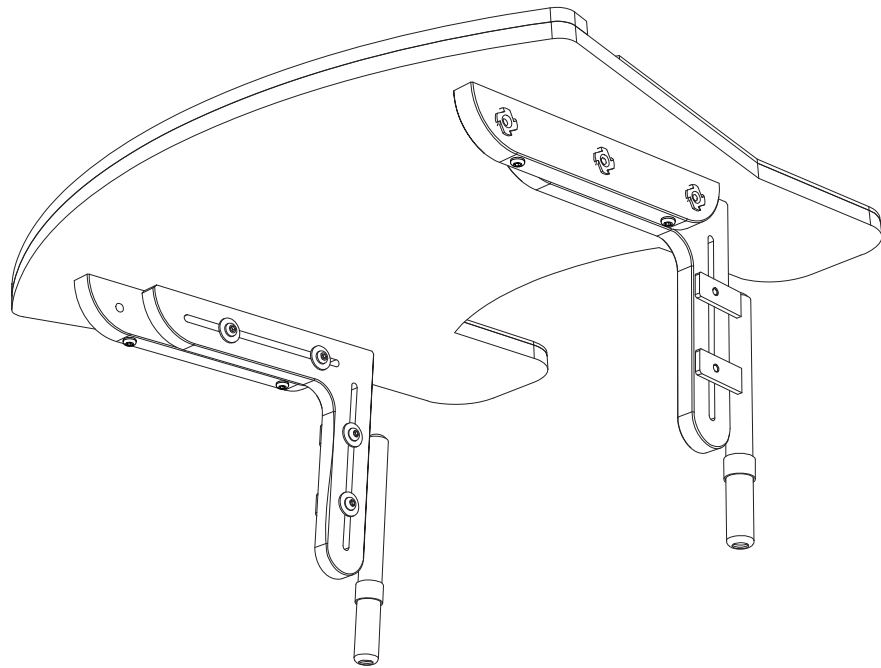






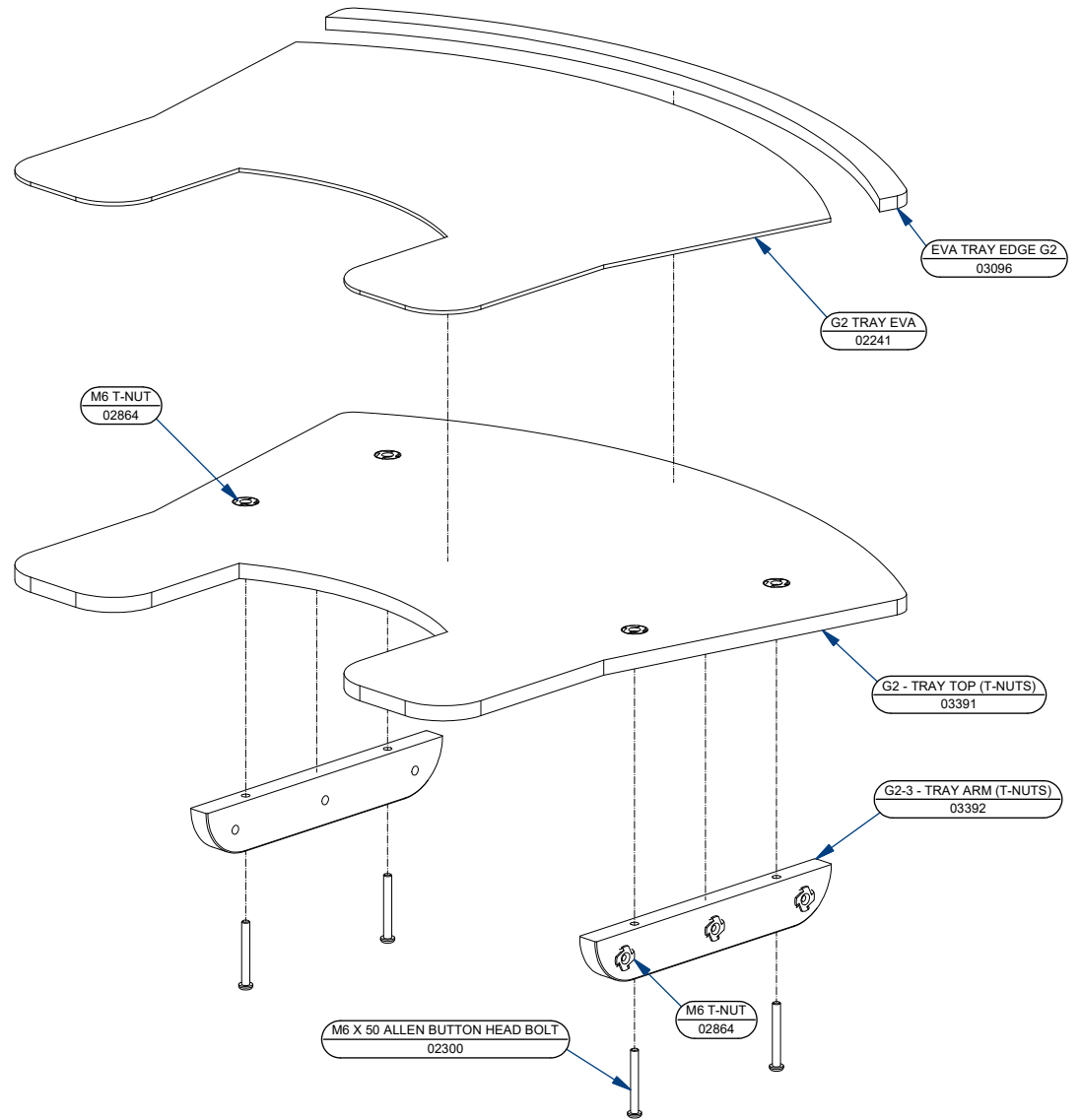
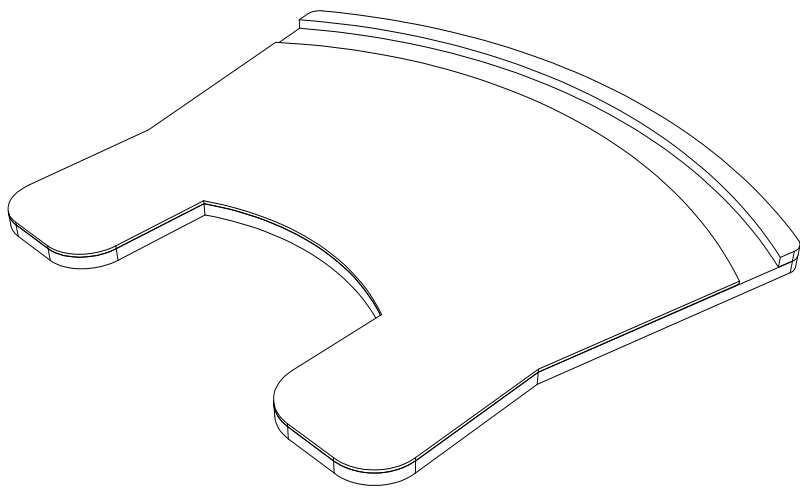


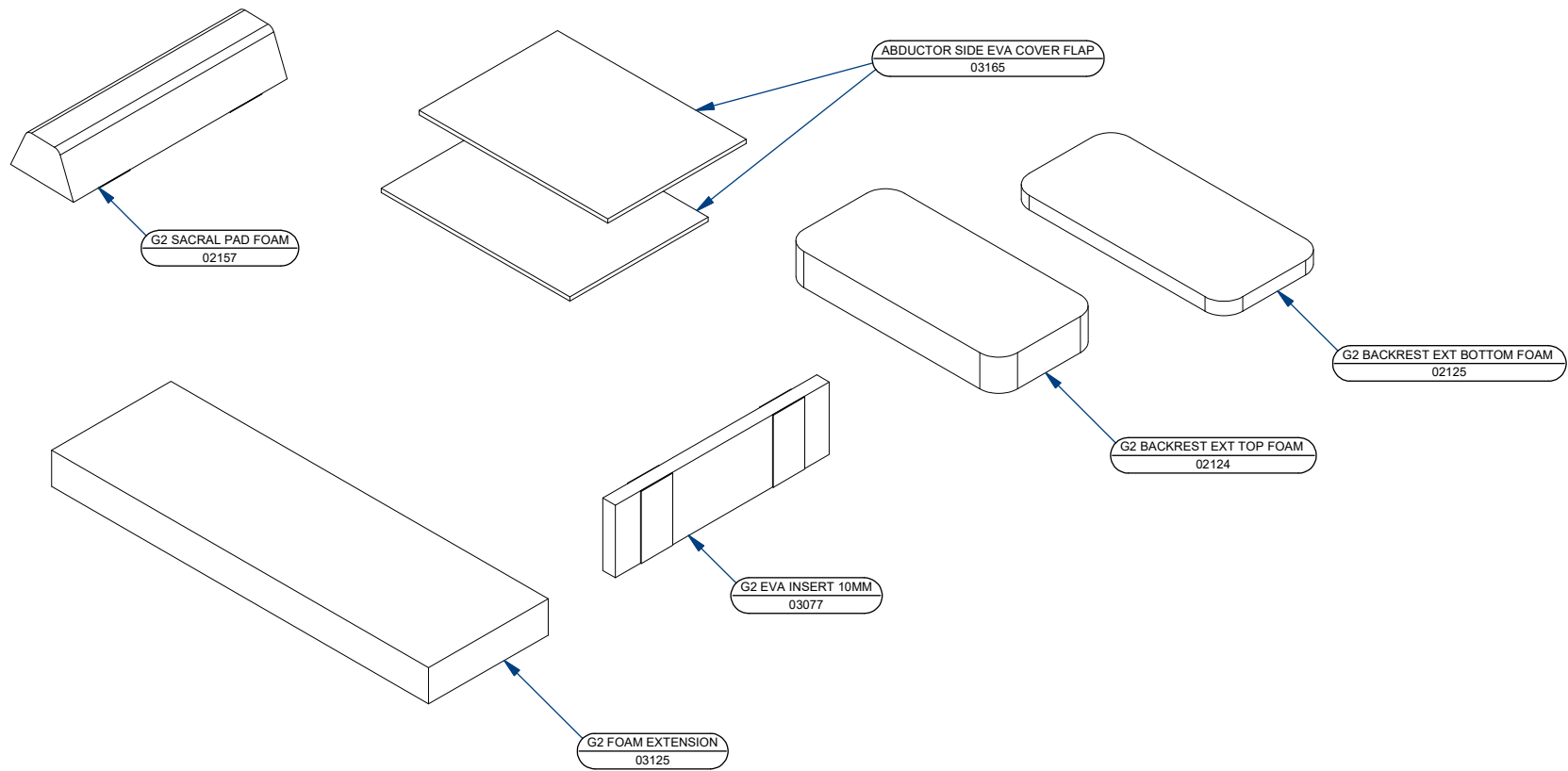


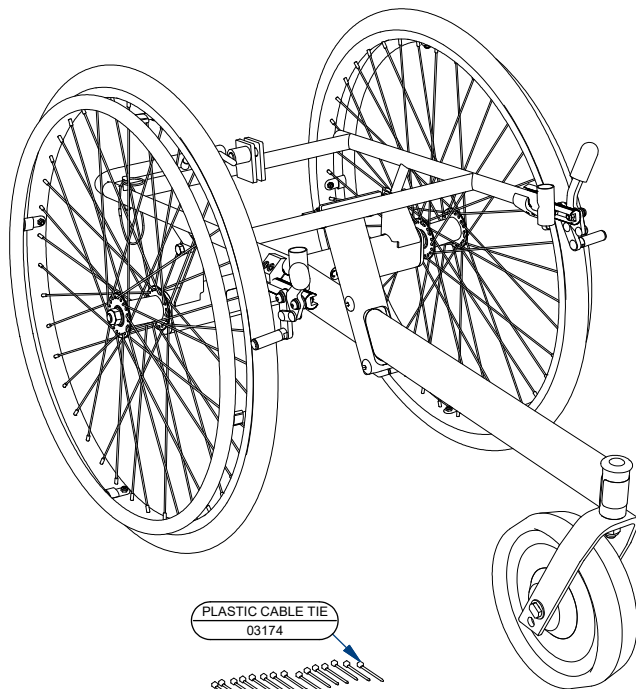


<b>TRAY SUPPORT TUBULAR EXTENSION 04378</b>	
M6 X 10 ALLEN BUTTON HEAD BOLT 02501	
TUBULAR EXTENSION WELDMENT 04377	
<b>NOT INCLUDED IN 02238!</b>	

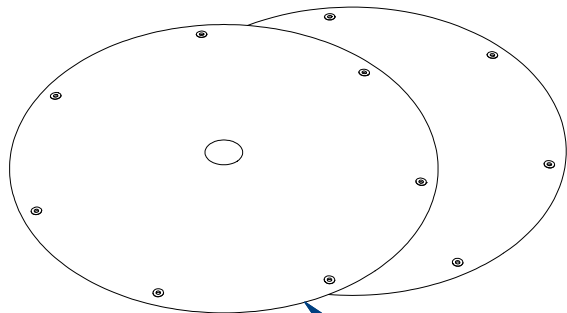




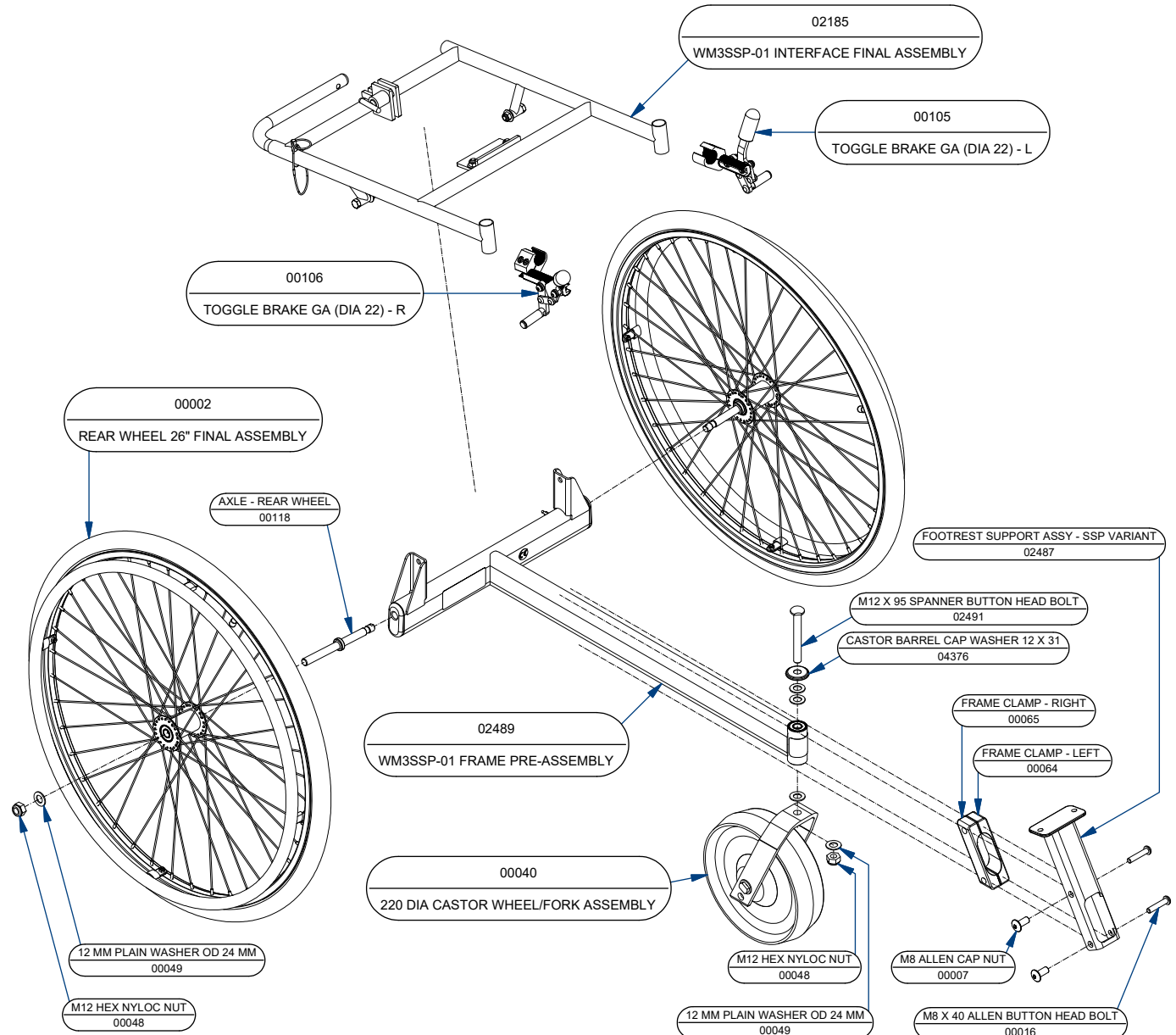




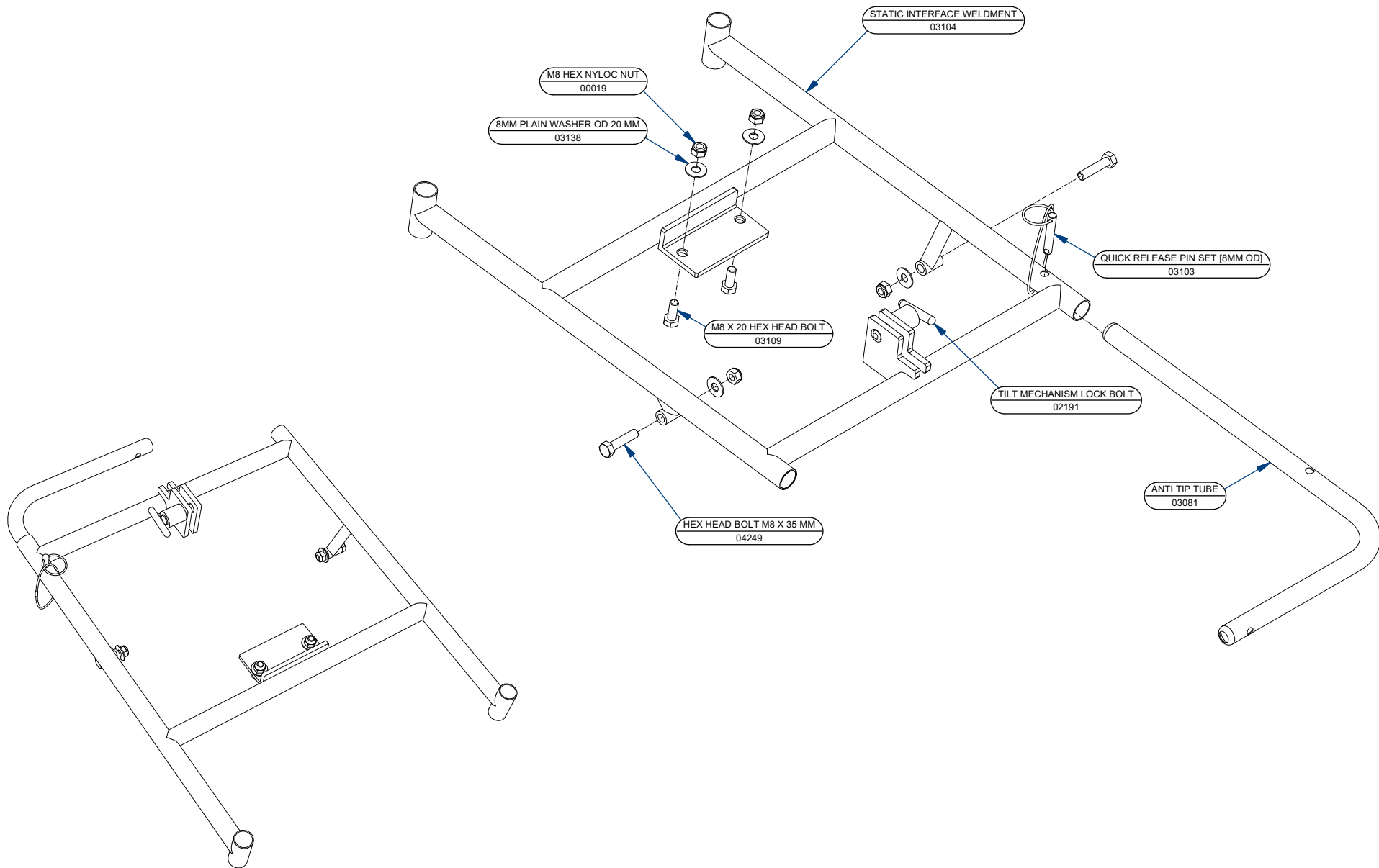
PLASTIC CABLE TIE  
03174

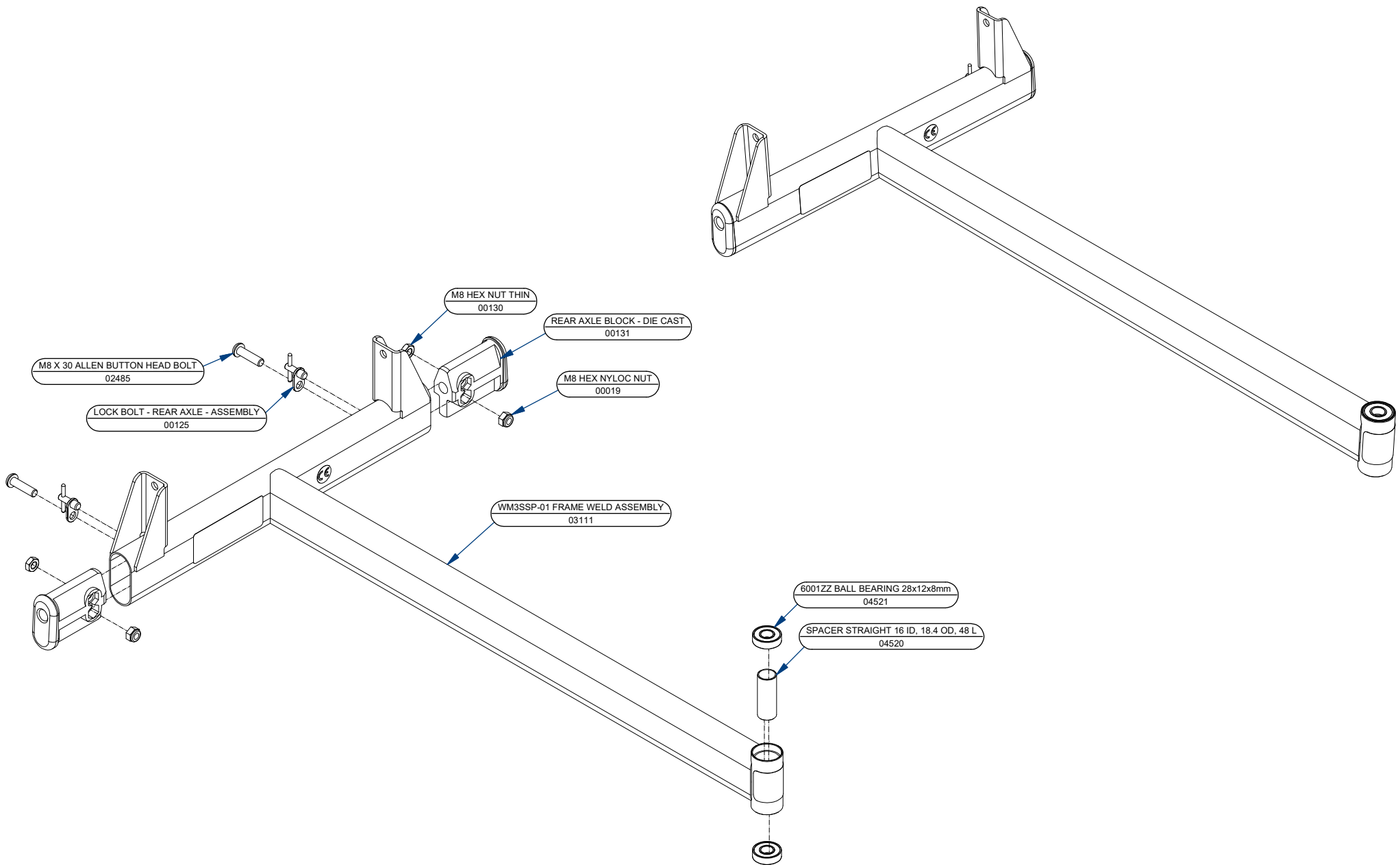


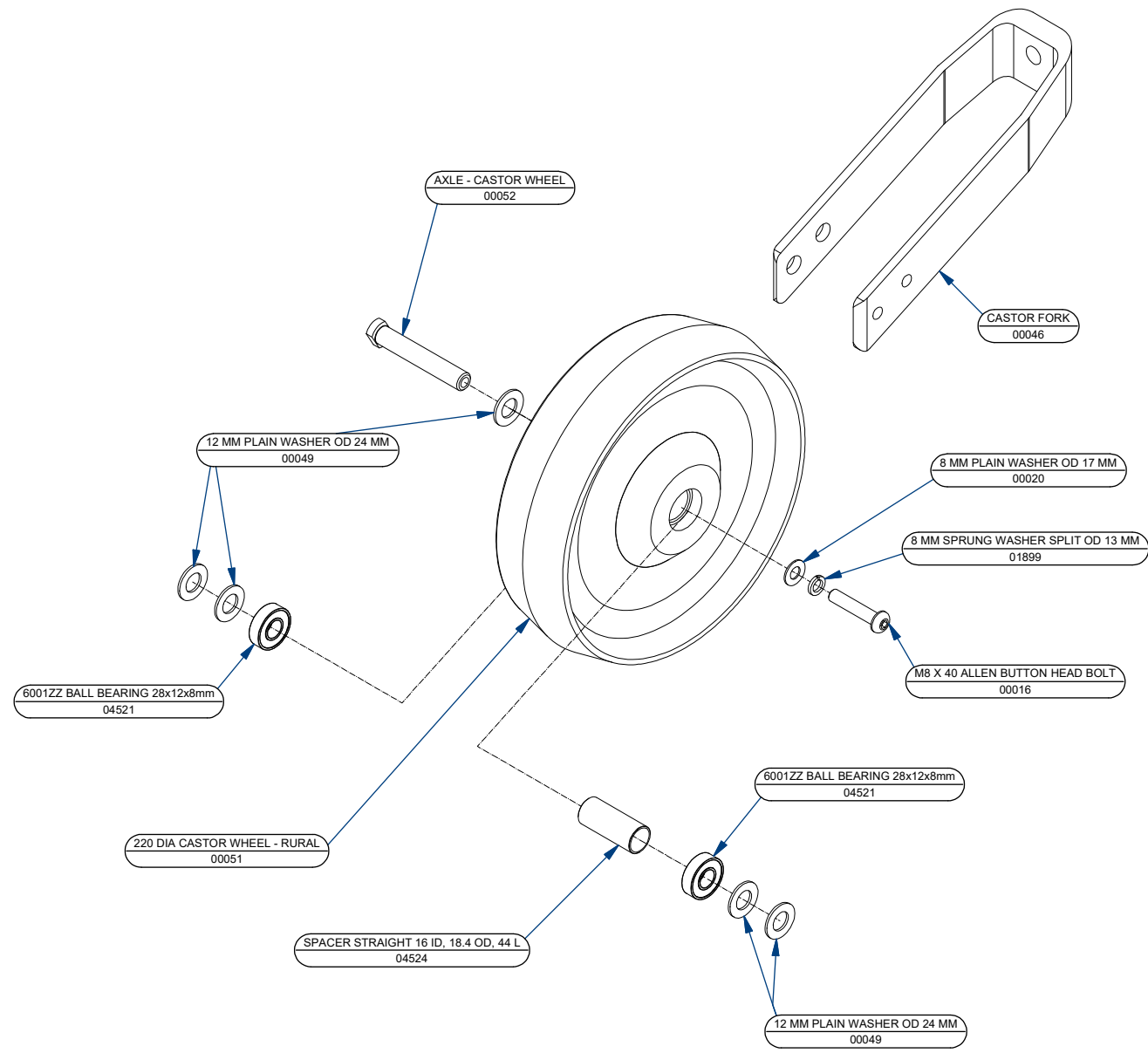
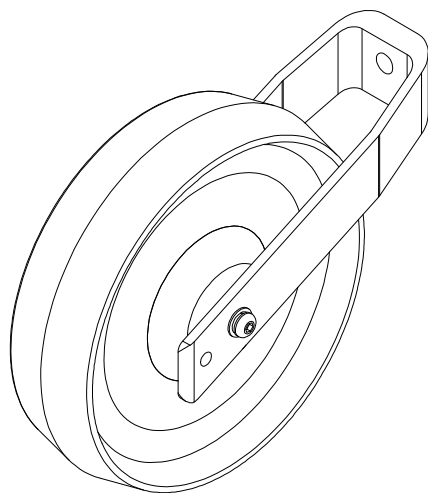
SPOKE GUARD 26" WHEEL  
03073

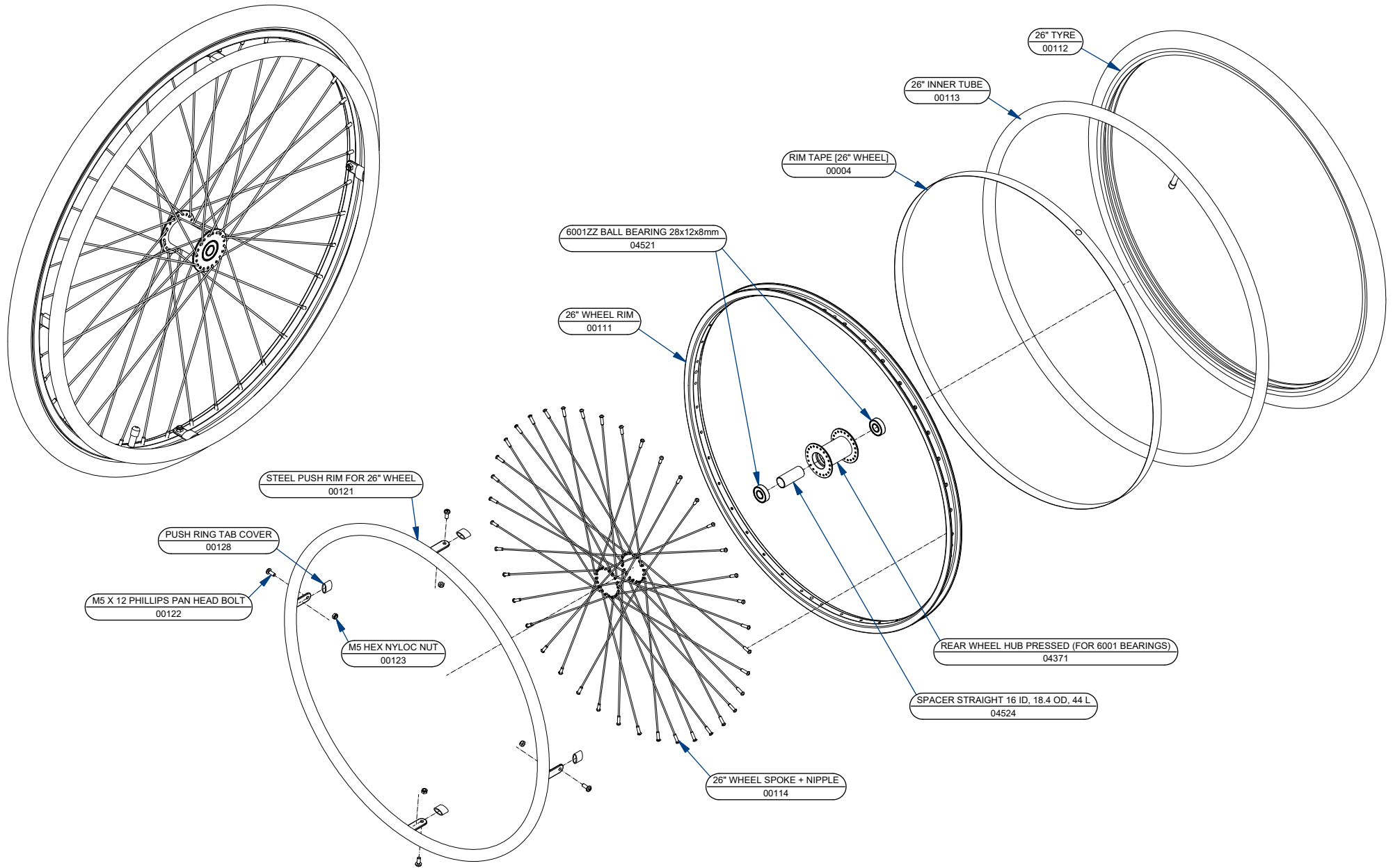


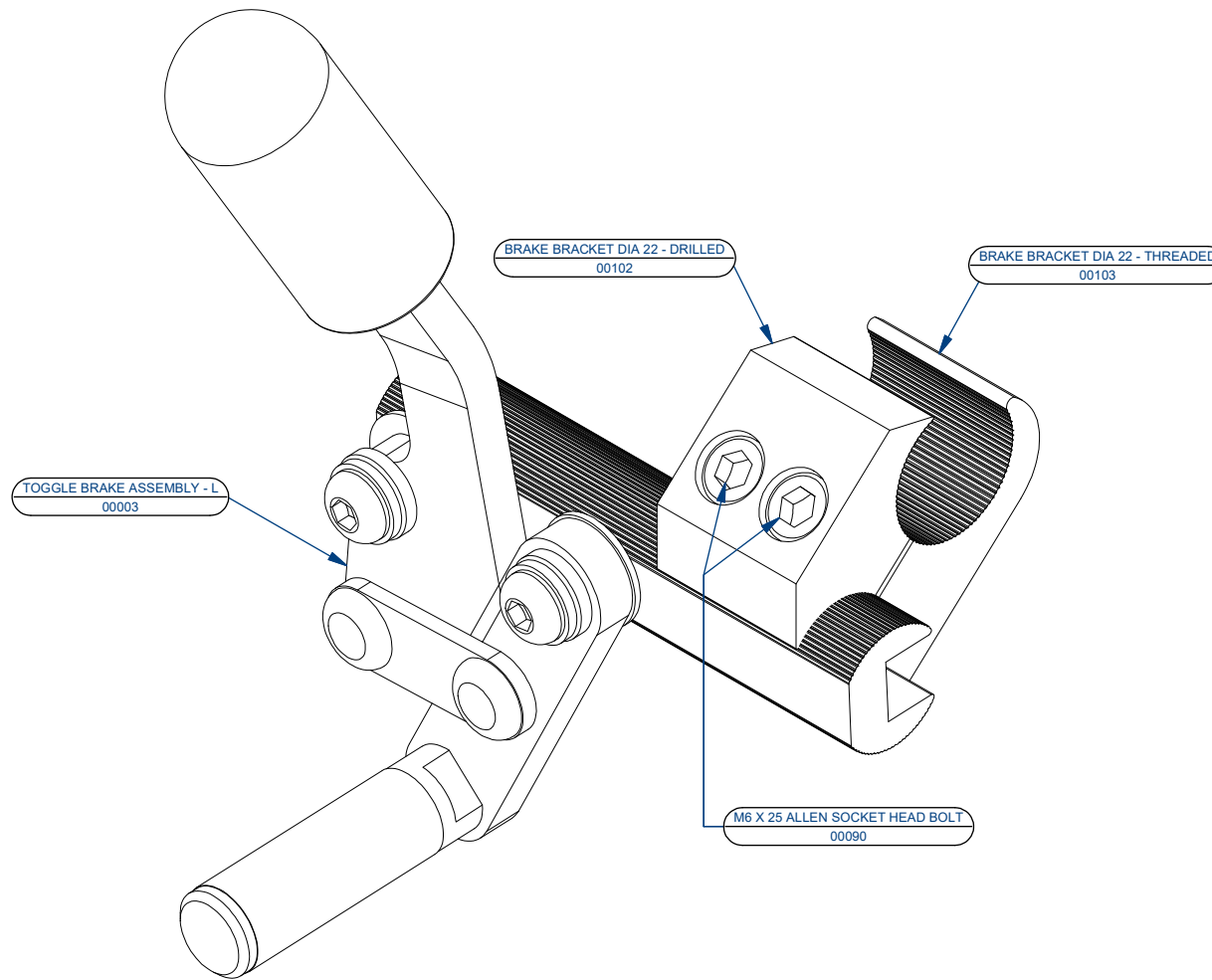
00002	REAR WHEEL 26" FINAL ASSEMBLY
00040	220 DIA CASTOR WHEEL/FORK ASSEMBLY
00105	TOGGLE BRAKE GA (DIA 22) - L
00106	TOGGLE BRAKE GA (DIA 22) - R
02489	WM3SSP-01 FRAME PRE-ASSEMBLY
02185	WM3SSP-01 INTERFACE FINAL ASSEMBLY



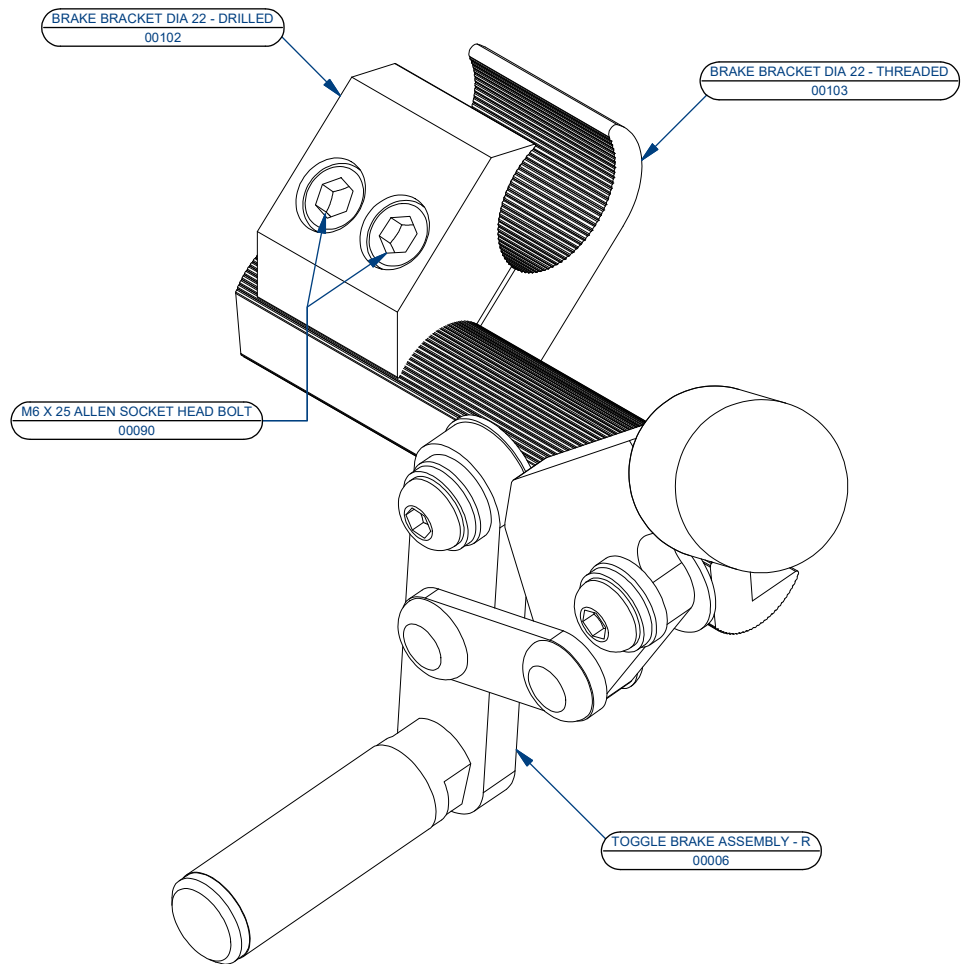


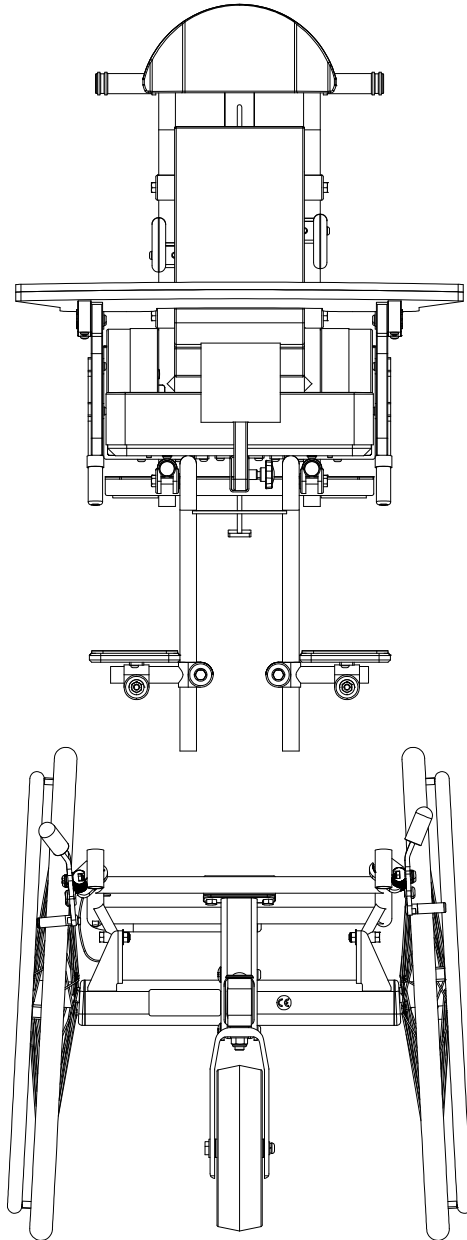












## CONTENTS

MOTI GO SUPPORTIVE SEATING SYSTEM SIZE M COVER PAGE	1
MOTI GO SUPPORTIVE SEATING UNIT SIZE M - ASSEMBLY DETAILS	2
MOTI GO SEATING UNIT SIZE M - FRAME ASSEMBLY DETAILS	3
MOTI GO SEATING UNIT SIZES M/L - FRAME WELDMENT DETAILS	4
MOTI-GO SEATING UNIT SIZE M - SEAT SUPPORT PANEL ASSEMBLY DETAILS	5
MOTI GO SEATING UNIT SIZES M/L - FOOTREST STAND ASSEMBLY DETAILS	6
MOTI GO SEATING UNIT SIZES M/L - FOOTREST STAND WELDMENT DETAILS	7
MOTI GO SEATING UNIT SIZES M/L - FOOTPLATE ASSEMBLY DETAILS	8
MOTI GO SEATING UNIT SIZE M - BACKREST FOAM ASSEMBLY DETAILS	9
MOTI GO SEATING UNIT SIZE M - SEAT CUSHION ASSEMBLY DETAILS	10
MOTI START & MOTI GO - ABDUCTOR ASSEMBLY DETAILS	11
MOTI GO SIZES M/L - HEADREST ASSEMBLY DETAILS	12
MOTI GO SIZE M - HIP PAD UNIT ASSEMBLY DETAILS	13
MOTI START & MOTI GO - LATERAL TRUNK SUPPORT ASSEMBLY DETAILS	14
MOTI GO SEATING UNIT SIZES M/L - STRAPS AND FASTENERS DETAILS	15
MOTI GO SEATING UNIT SIZE M - TRAY ASSEMBLY DETAILS	16
MOTI GO SEATING UNIT SIZE M - TRAY TOP ASSEMBLY DETAILS	17
MOTI GO SEATING UNIT SIZE M - EXTRA UPHOLSTERY COMPONENTS	18
MOTI GO SUPPORTIVE SEATING CHASSIS - ASSEMBLY DETAILS	19
MOTI GO SEATING UNIT/CHASSIS INTERFACE - ASSEMBLY DETAILS	20
MOTI GO SUPPORTIVE SEATING CHASSIS FRAME - ASSEMBLY DETAILS	21
220 DIA CASTOR WHEEL/FORK - ASSEMBLY DETAILS	22
REAR WHEEL 26" FINAL ASSEMBLY - ASSEMBLY DETAILS	23
TOGGLE BRAKE LEFT (22 MM CLAMP) - GENERAL ASSEMBLY	24
TOGGLE BRAKE RIGHT (22 MM CLAMP) - GENERAL ASSEMBLY	25
TABLE OF CONTENTS	26