

Product Summary: Clip-on Tricycle Attachment

The Clip-on Tricycle Attachment is a quick release clip-on, clip-off attachment which can be fitted to the Motivation Rough Terrain (WM3) wheelchair. It converts the wheelchair into a tricycle allowing the user to travel greater distances more effectively.

	Clip-on Tricycle Attachment
Product Code	WM3TRCO-01
Product Description	Clip-on tricycle attachment for WM3 wheelchair
Manufacture	Made in India and China under license from Motivation
Document Issue	7
Date of issue	11 June 2018



Overview

- The Clip-on Tricycle Attachment is an active style hand powered drive allowing the user to quickly convert the WM3 wheelchair into a tricycle.
- It consists of a tubular mild steel frame, with standard bicycle components and stainless steel fasteners.
- It has a single 20" pneumatic wheel at the front, parking brakes and running brake, a stand and inline pedal cranks for propelling by hand. It helps the user to travel greater distances with less effort. Fitted to a WM3 wheelchair the user also gets all the same benefits featured on the wheelchair such as postural support and pressure relief.
- The tricycle drive has been designed so that parts are easy to replace or repair and uses many standard bicycle parts.
- One boxed flat-pack tricycle drive kit can be adjusted to suit most riders.
- The tricycle drives are individually assembled and fitted to each user by trained staff.
- The packaging is designed for easy disassembly for recycling or reuse.
- The tricycle drive, together with the wheelchair, is easy to carry on most forms of transport.

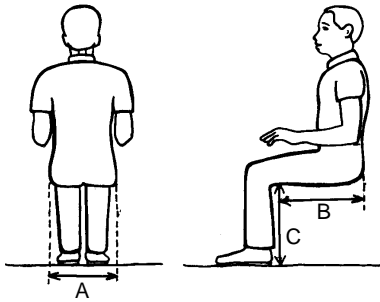


Photo of WM3 and tricycle before attachment in place



Photo of WM3 and tricycle after attachment in place

Product user group



- The tricycle drive can be used by people with a range of mobility disabilities. It is most suited to people who are already active in their wheelchair.
- The tricycle drive and wheelchair is suitable for users whose body measurements fall within the following ranges:
 - A. Hip width: 360 – 480 mm
 - B. Buttock to back of knee: 390 - 500 mm
 - C. Back of knee height from bottom of feet: 310 – 430 mm
 - D. Backrest to centre of fist on outstretched arm 680-750 mm in safe position 750-820 mm in active position.
- Maximum user weight: 113 kg (250 lbs)

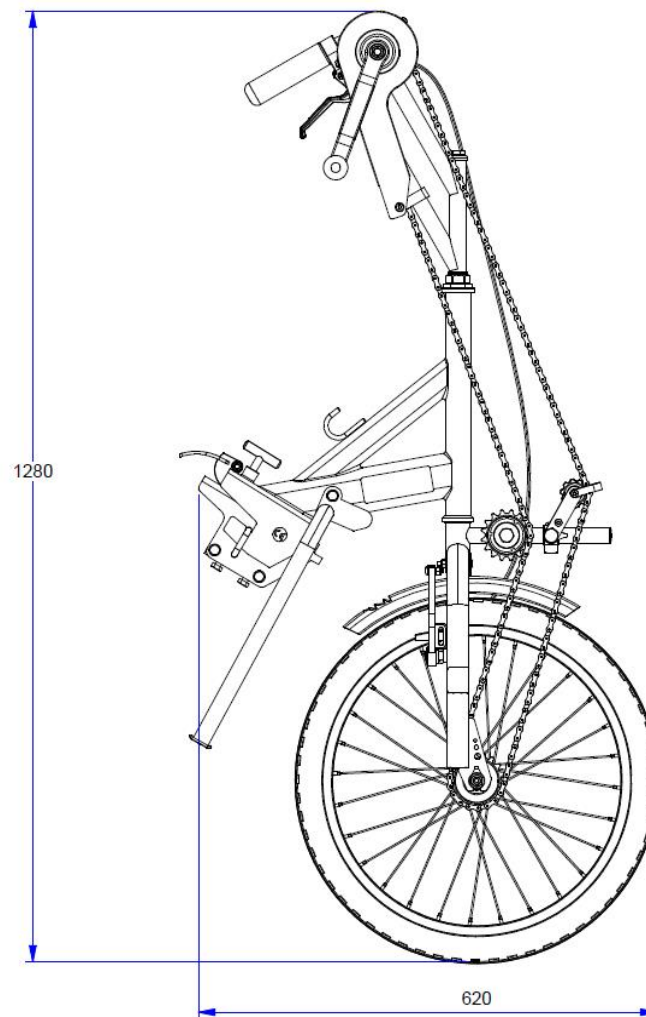
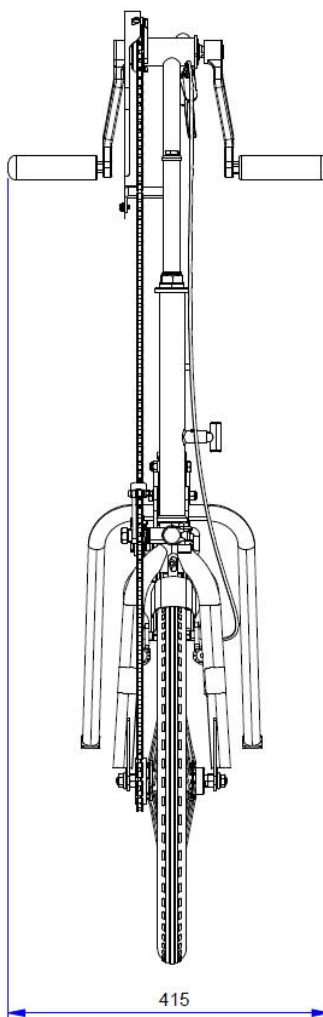
Environment

- The Clip-on Tricycle Attachment is designed for use over rough ground and most environments where a standard single speed bicycle would reasonably be expected to travel.
- The Clip-on can also be used in urban and semi-urban areas which often have similar road conditions and obstacles to rural areas.
- It is stable and rides easily over rough ground because it has a long wheelbase, 20” front wheel and cambered rear wheels. Users may still require assistance over extremely rough ground, high curbs or steep inclines.
- Although the Clip- on Tricycle Attachment is primarily for outdoor use it can be used indoors. Users may experience some limitations in confined spaces because of its long wheelbase.

Clip-on drive adjustments	
Pedal position	The pedal position can be adjusted horizontally by approx 50mm but is limited by the castor. Vertical adjustment is fixed and is designed to suit most users
Performance specifications	
Box details	Box dimensions: 1335 x 570 x 225 mm. Gross weight: 15.2 Kg Plain brown five ply cardboard with black printed graphics. The packaging is <i>not</i> waterproof.
Brakes	V brake on the front wheel. Standard WM3 parking brakes on the rear wheels.
Chain	A standard bicycle chain is supplied. Chain tensioner position, is adjustable.
Chain guard	A chain guard is fitted as standard to protect the user from the chain
Frame colour	Black.

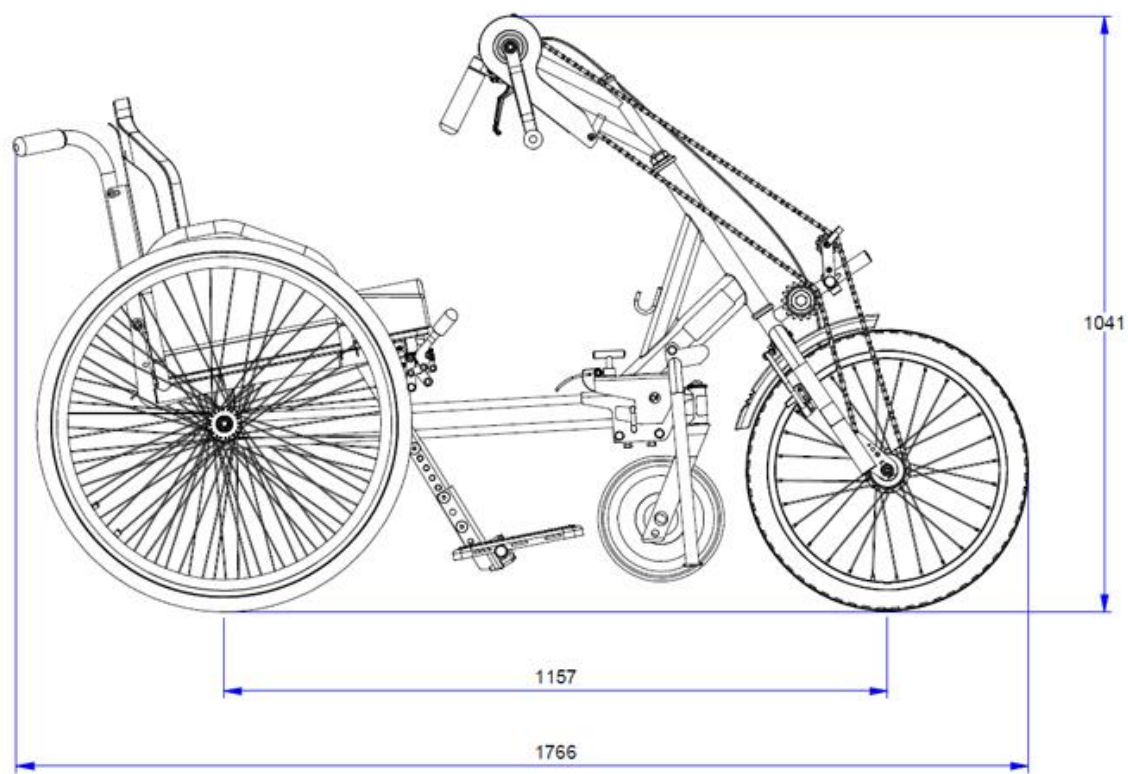
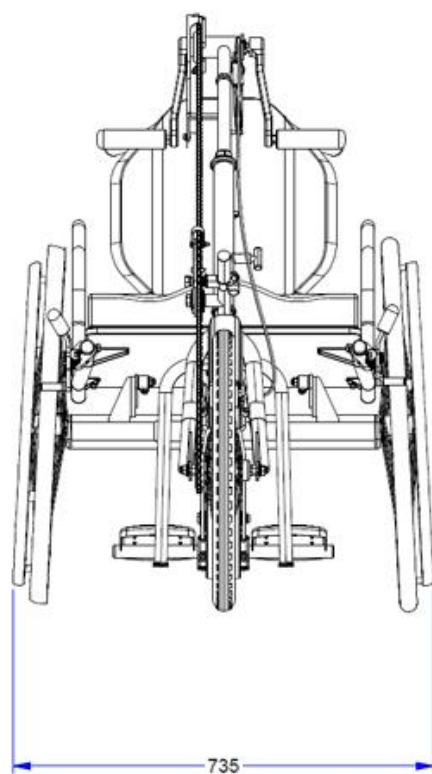
Gears	The clip-on attachment comes with simple single speed freewheel gear to suit most users.
Lifecycle	The product is designed to provide at least 5 years of service, during normal use and providing it is appropriately maintained.
Wheels	20" x 1.75" front wheel with 28 hole steel rim.
Standards	The wheelchair conforms to the relevant sections of International Standards Organisation (ISO) standard ISO:7176, including fire retardant foam and fabric. This product is also ISO 9001 (2008- 2013) and ISO 13845 (2008-2013) certified.
Finish	Frame components are either galvanised or enamel painted. The standard bicycle components have various finishes
Transport / storage	The product is easily collapsible for stowing on public and private transport. The rear wheels, drive and the armrests can be removed, and the backrest can be folded without requiring tools.
Tyres	Pneumatic - medium tread.
Weight	Net weight of the clip-on trike: 12.9 Kg.

Product dimensions



WM3TRCO-01
Clip- on Tricycle
Attachment

Product dimensions



Clip- on Tricycle
Attachment
mounted on
WM3- 01, Rural
Wheelchair

