
ASSEMBLY GUIDE

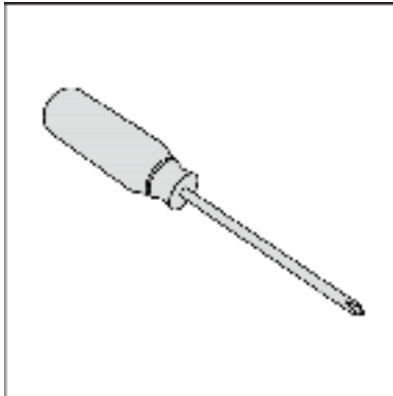
Expression



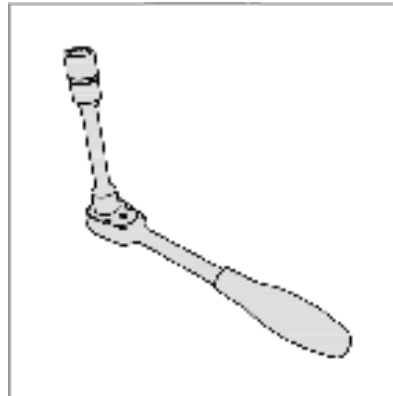
Table of Contents

1. Back Release	4
2. Footrest Assembly	5
3. Caster Wheel Assembly	6
4. Rear Wheel Assembly	8
5. Backrest Assembly	9
6. Fender Assembly (Optional)	10
7. Armrest Assembly (Optional)	11
8. Anti-Tip Assembly (Optional)	12

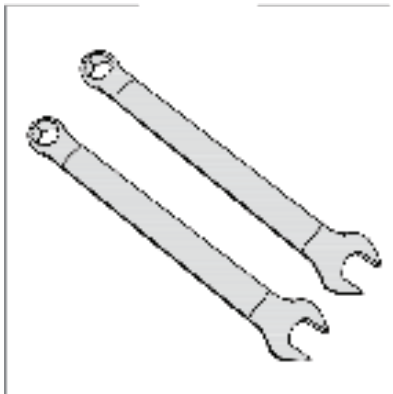
Tools Needed



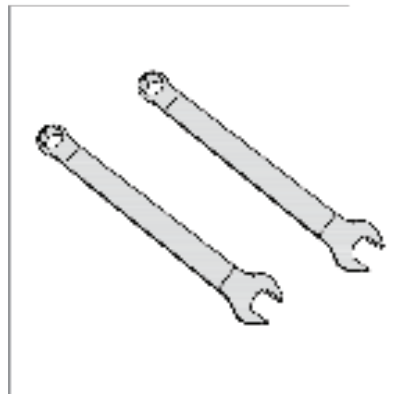
Phillips Screw Driver



Ratchet 19mm



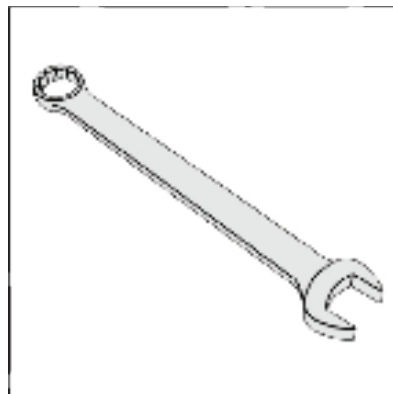
2 Wrenches no. 13



2 Wrenches 10mm

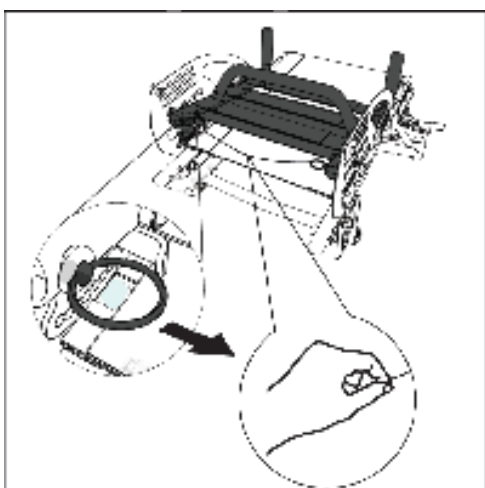
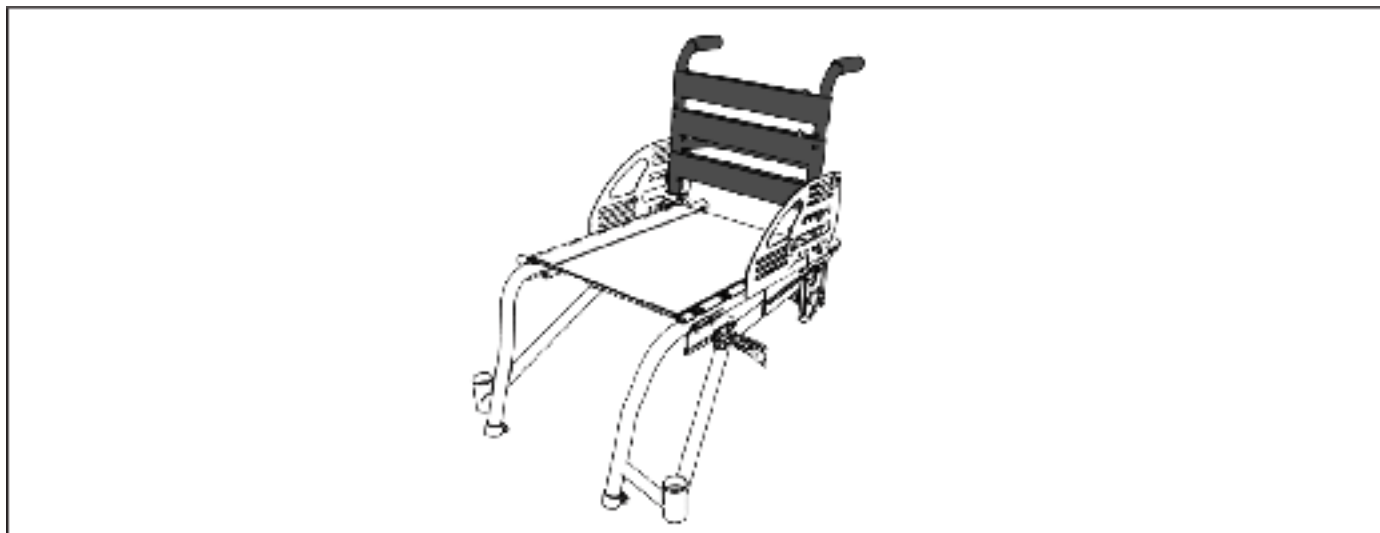


Rubber Hammer



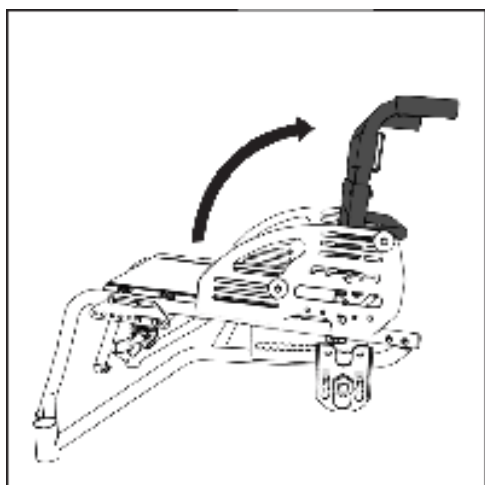
Wrenches no. 19

1. Back Release



STEP 1

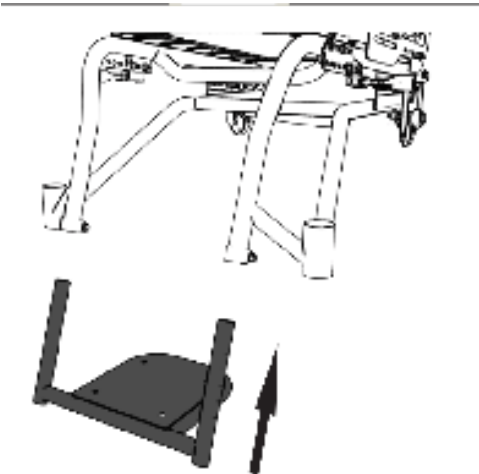
Pull string



STEP 2

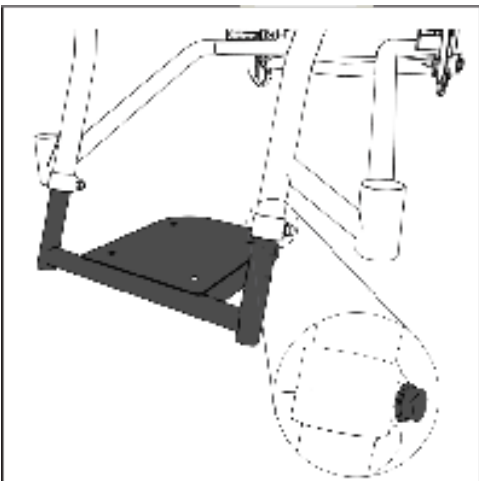
Lift backrest.

2. Footrest Assembly



STEP 1

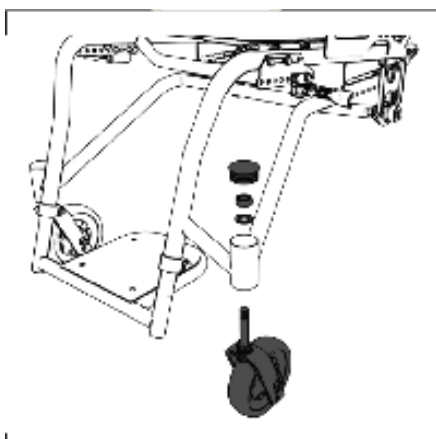
Insert the footrest.



STEP 2

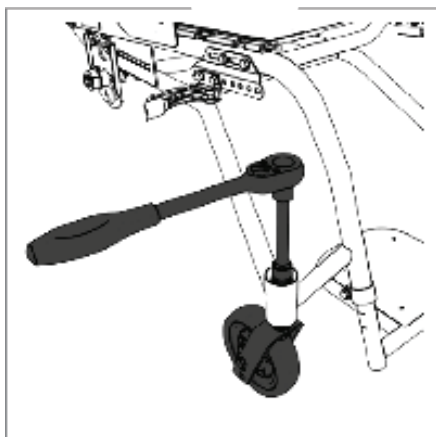
Tighten both bolts very tight.

3. Caster Wheel Assembly



STEP 1

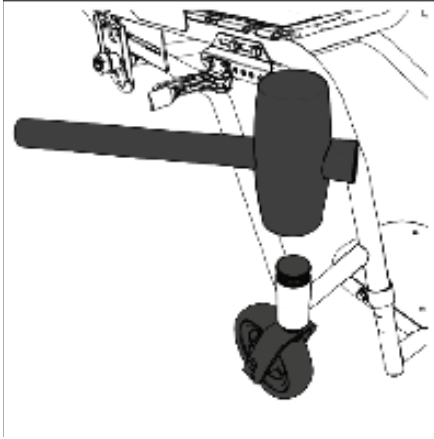
Install caster, washer, and nut.



STEP 2

Tighten nut. Caster should rotate freely.

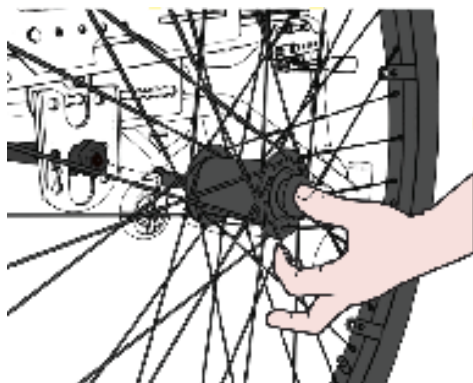
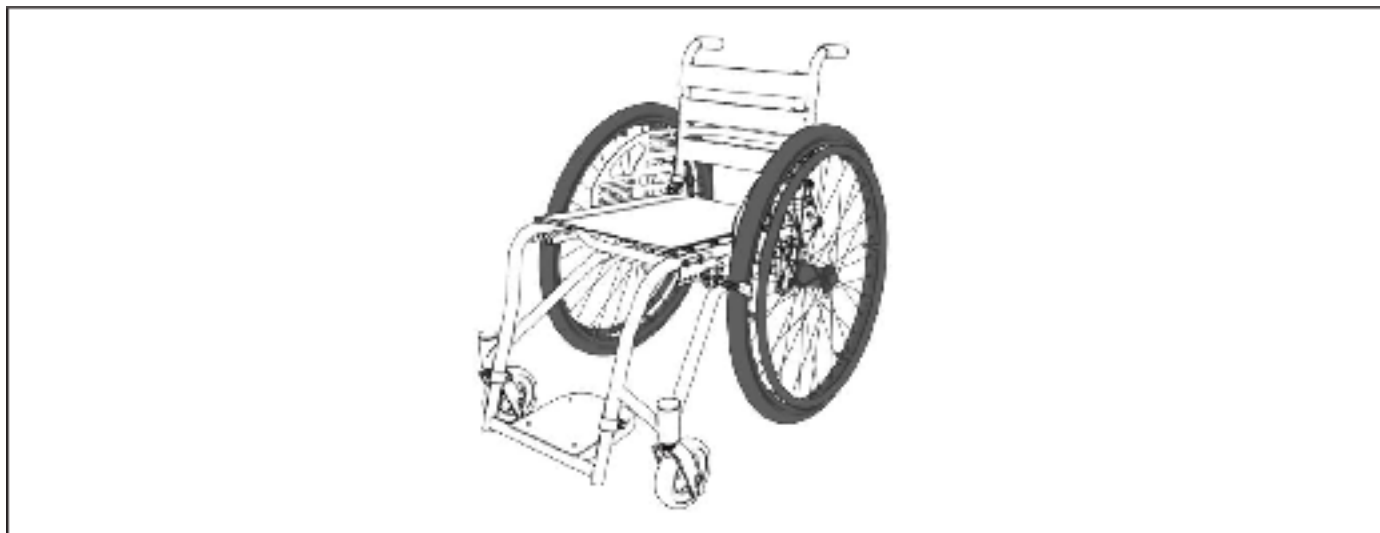
3. Caster Wheel Assembly



STEP 3

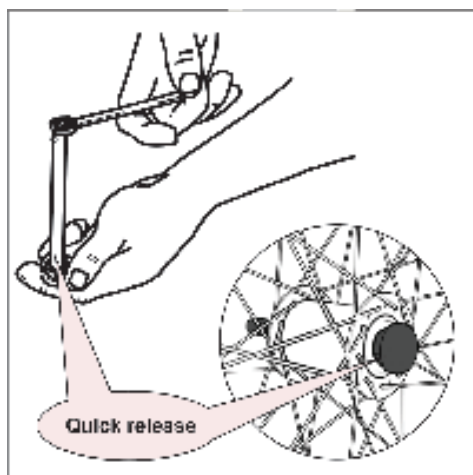
Install plastic cap.

4. Rear Wheel Assembly



STEP 1

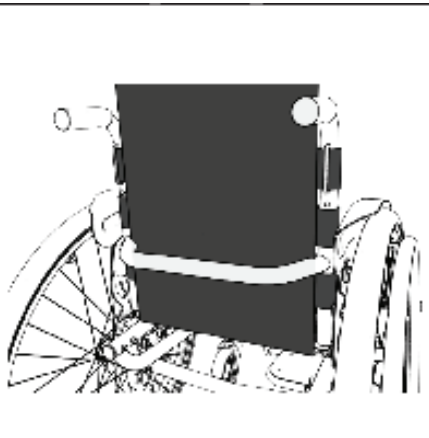
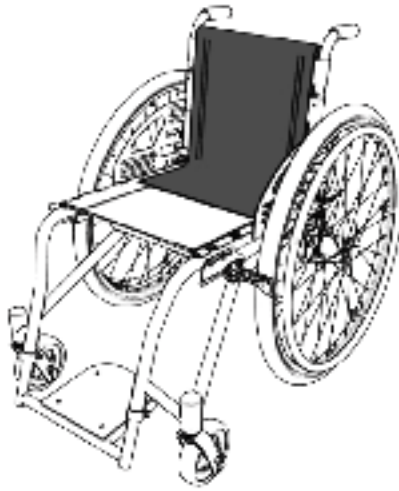
Insert axle. Check that retaining ball is in correct position.



STEP 2

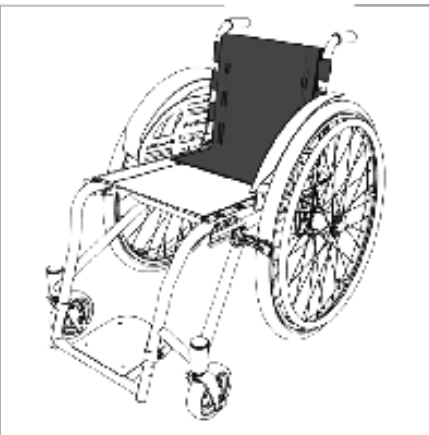
Adjust axle using a 19 mm and 13mm wrench if ball is in wrong position.

5. Backrest Assembly



STEP 1

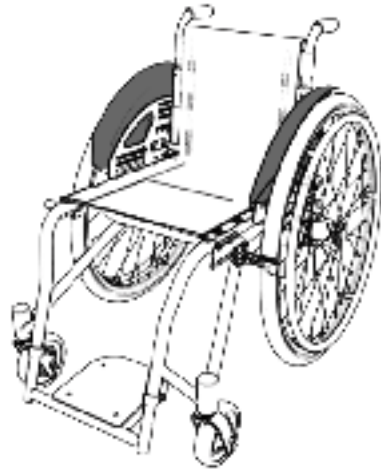
Install backrest cover on velcro.



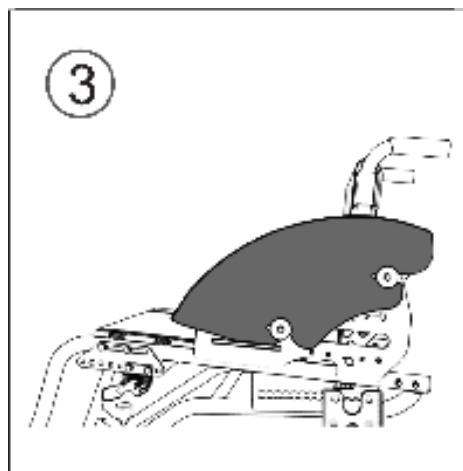
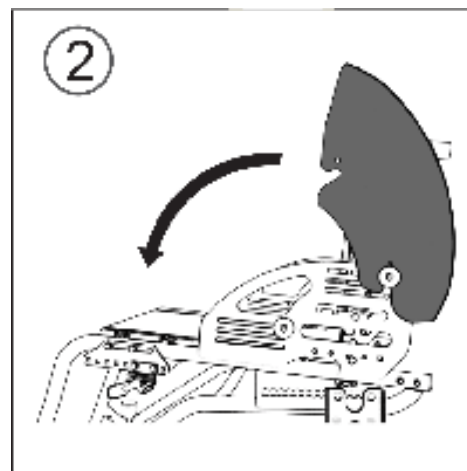
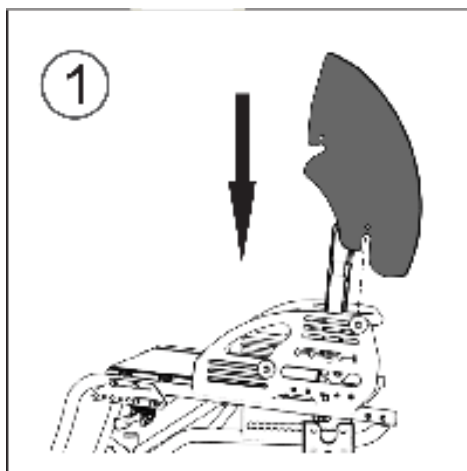
STEP 2

Attach to seat surface.

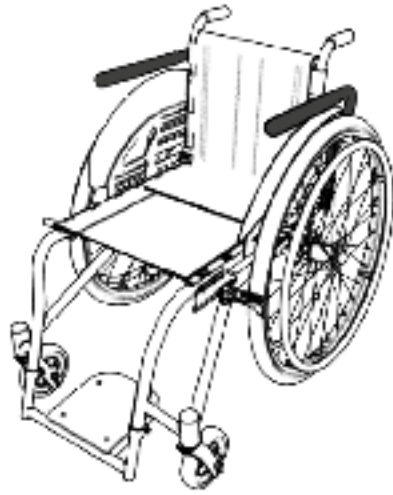
6. Fender Assembly (Optional)



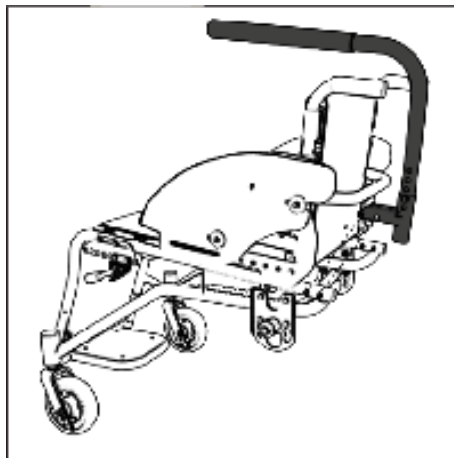
Install the fender.



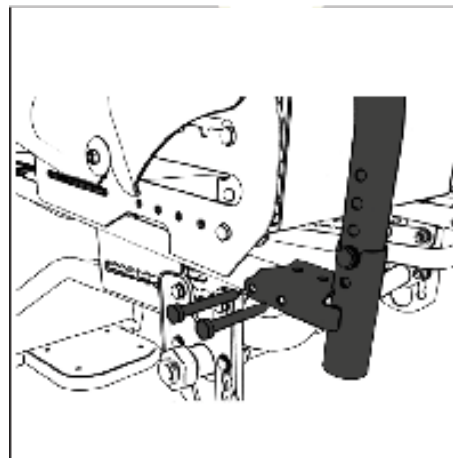
7. Armrest Assembly (Optional)



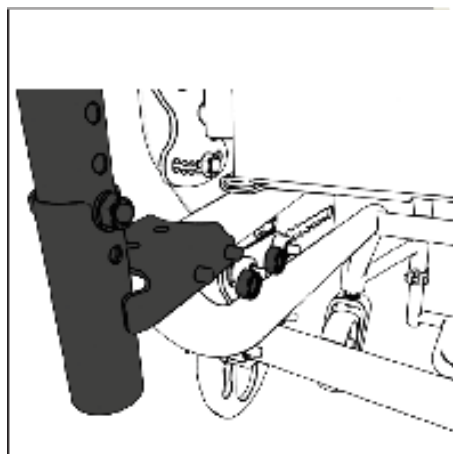
STEP 1



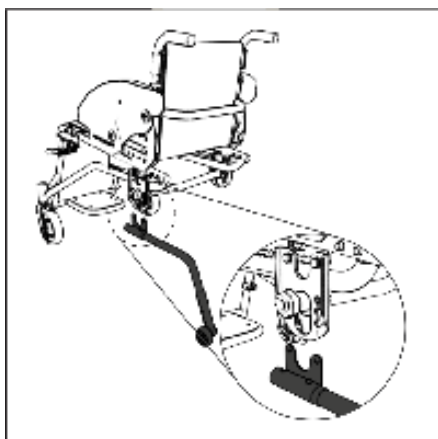
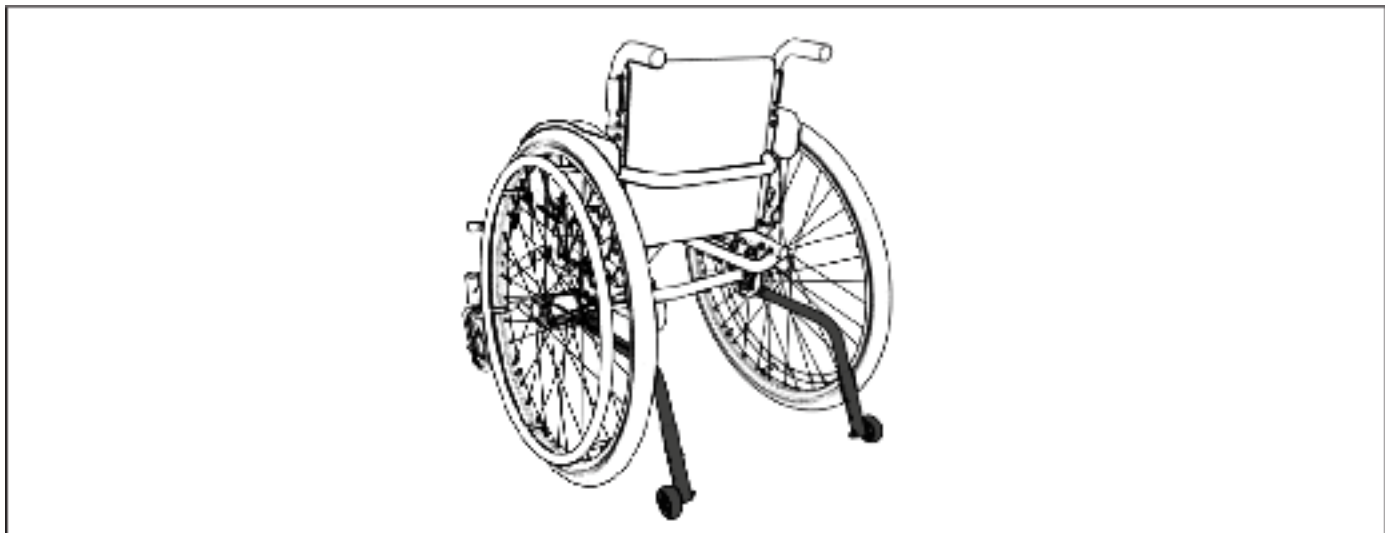
STEP 2



STEP 3

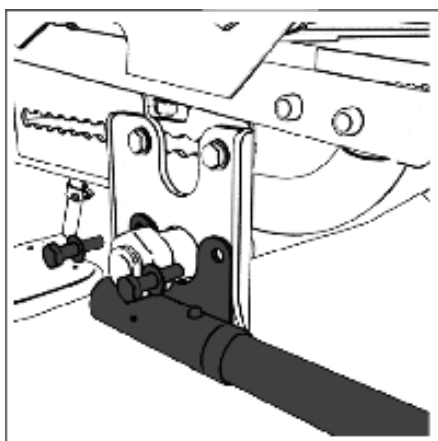


8. Anti-Tip Assembly (Optional)



STEP 1

Install the anti-tip.



STEP 2

Tighten bolts.

Question ?

Contact Us:
info@momentum4humanity.org