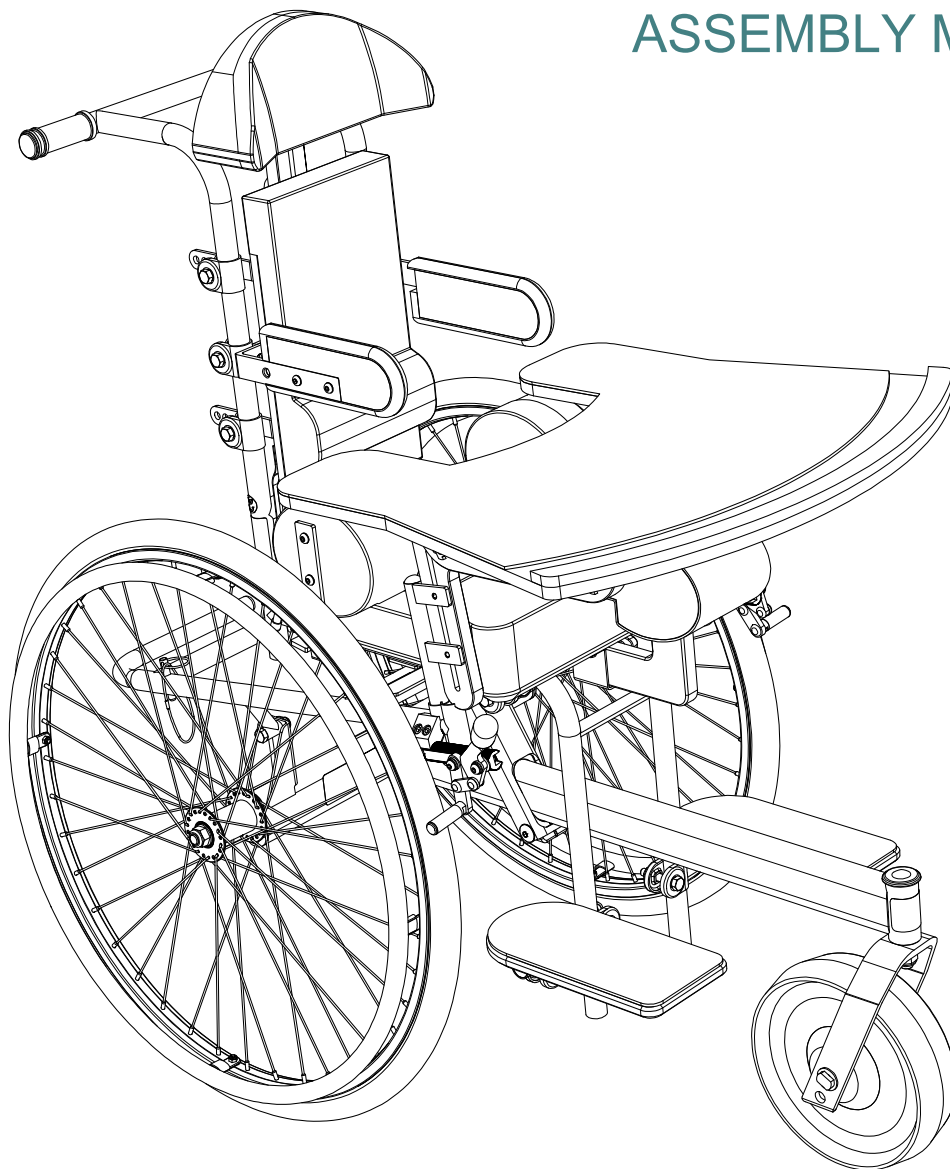


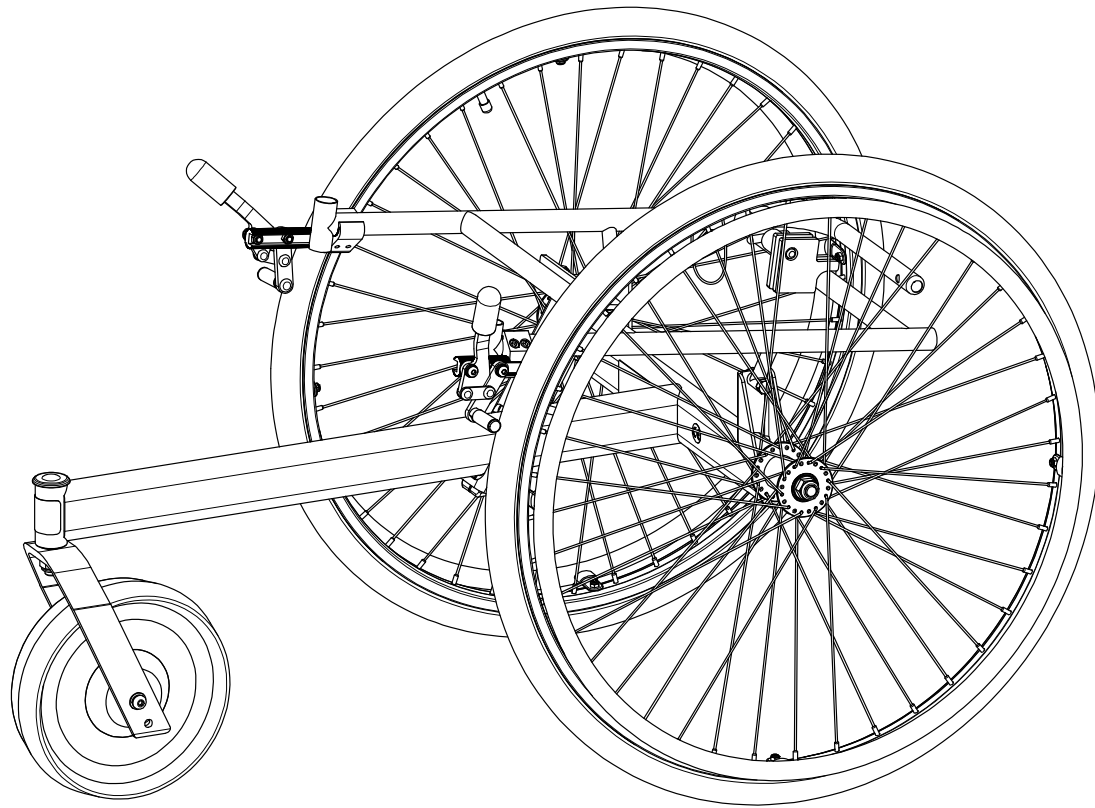
---

# MOTI GO SUPPORTIVE SEATING SYSTEM

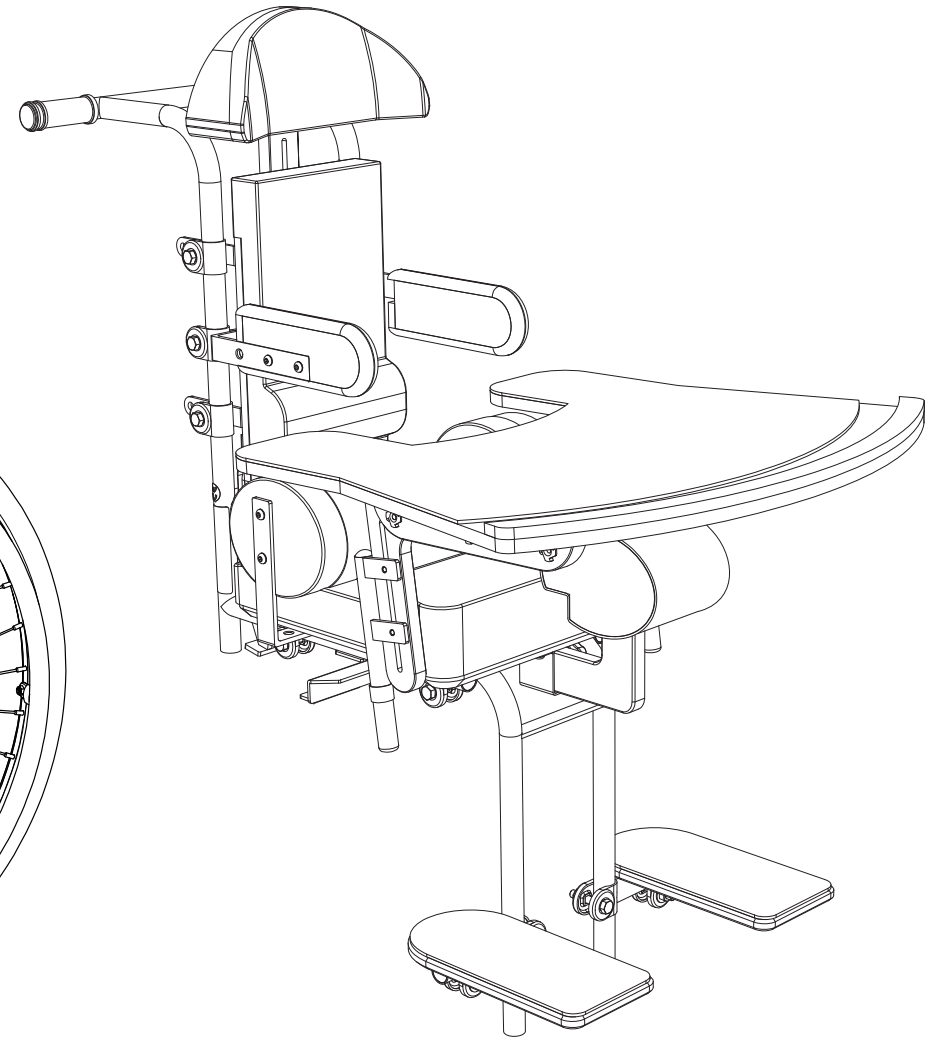
## ASSEMBLY MANUAL



## Moti Go Sub-Assemblies



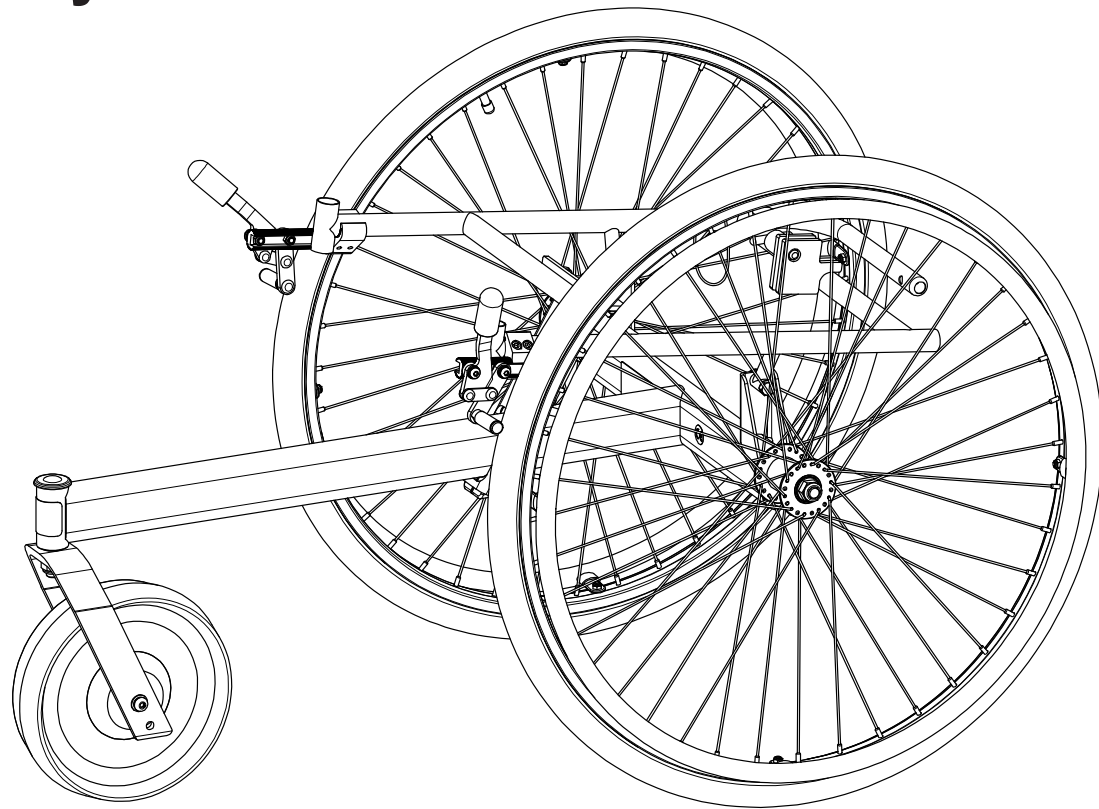
**Wheeled Chassis Assembly**



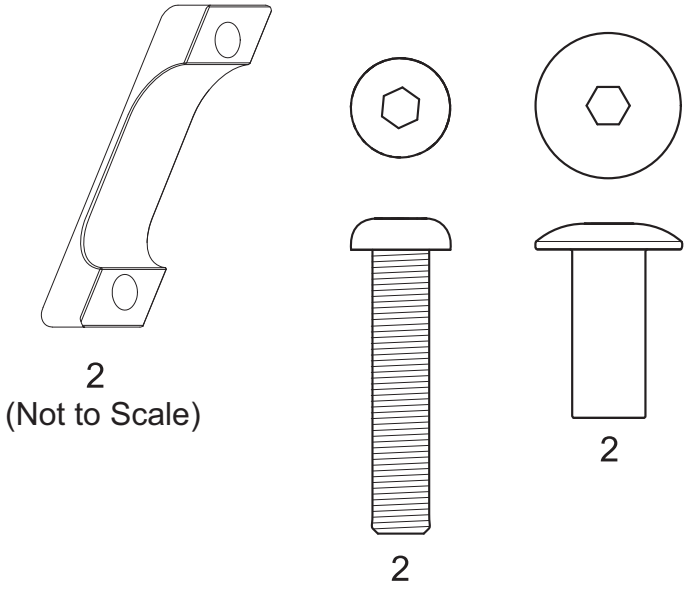
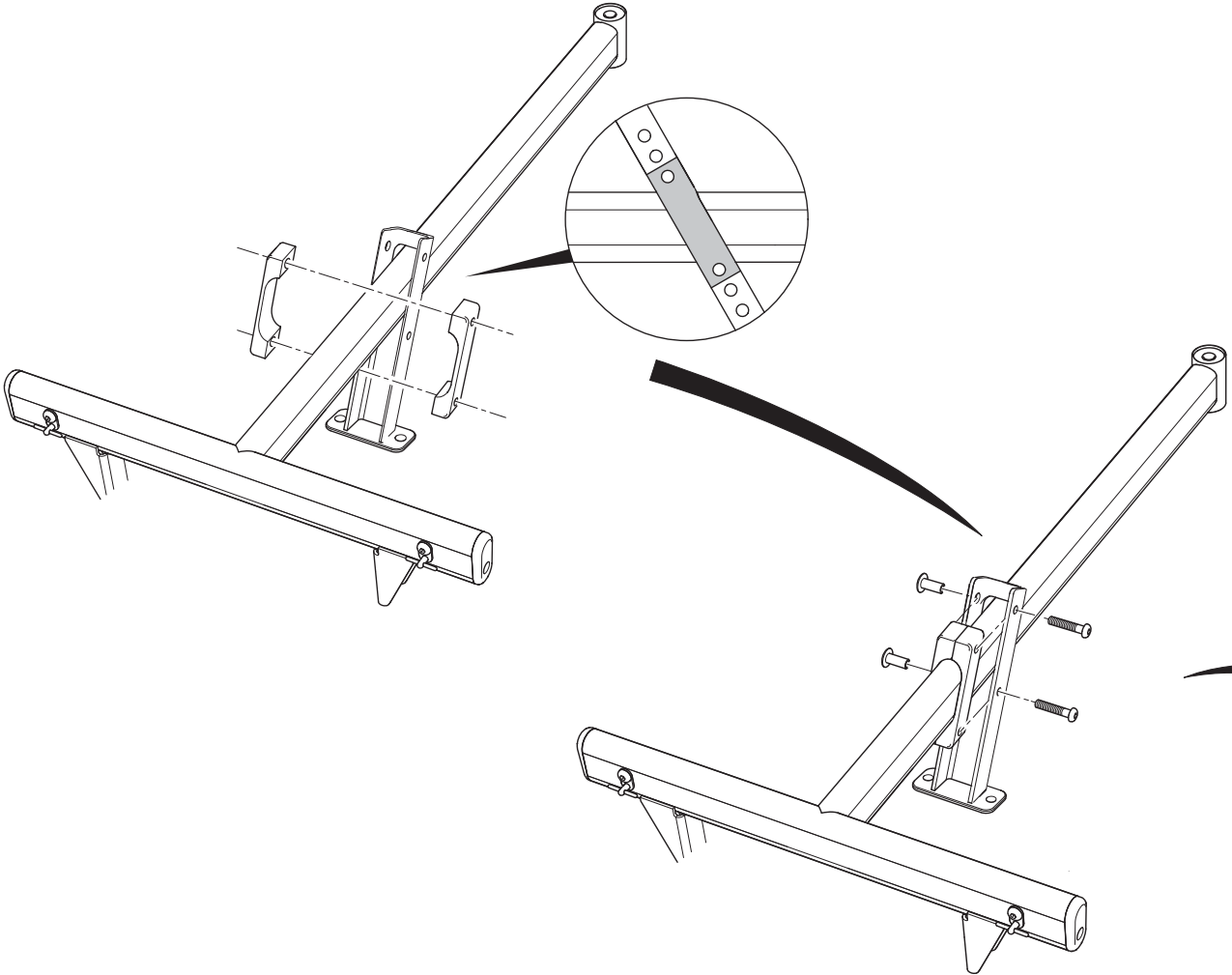
**Seat Unit Assembly**

---

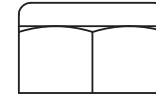
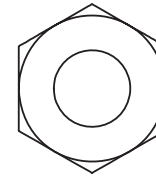
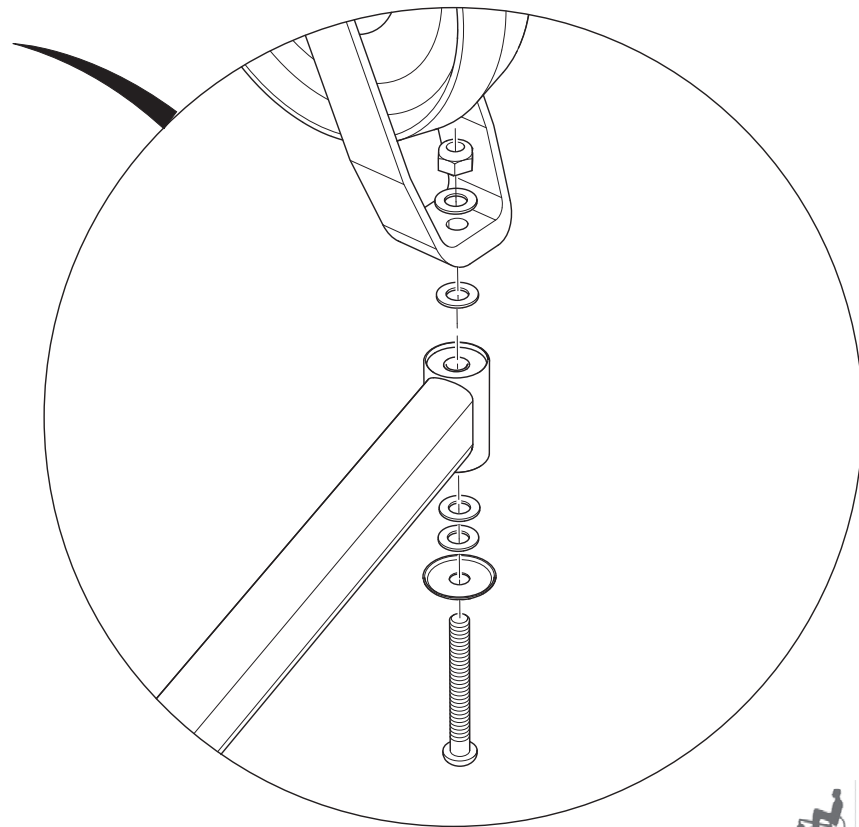
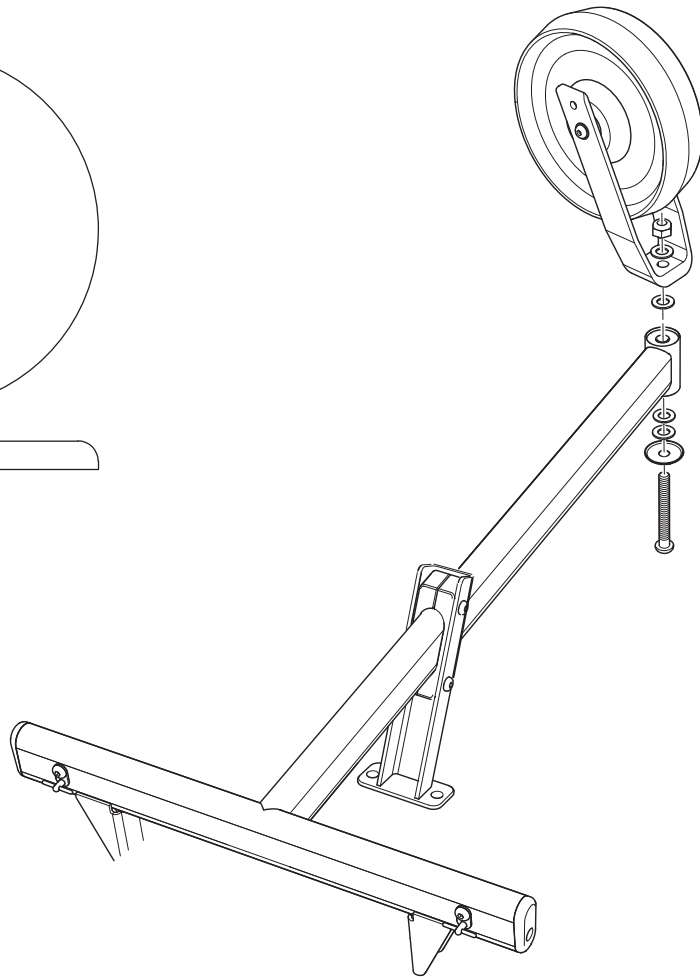
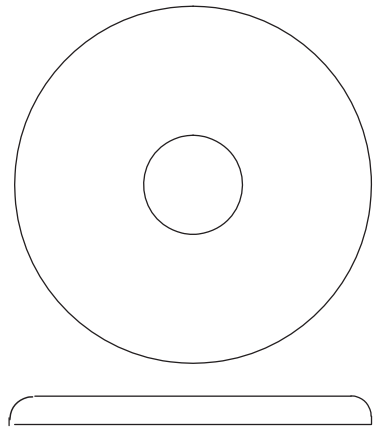
## Wheeled Chassis Assembly



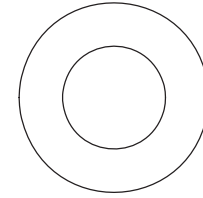
# Wheeled Chassis - Frame Assembly



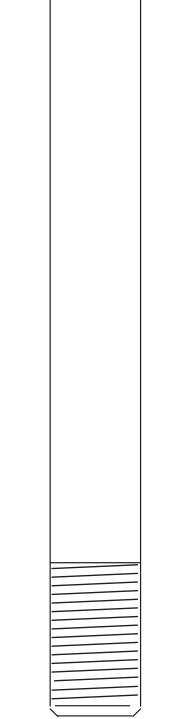
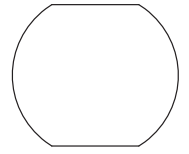
# Wheeled Chassis - Frame Assembly



1

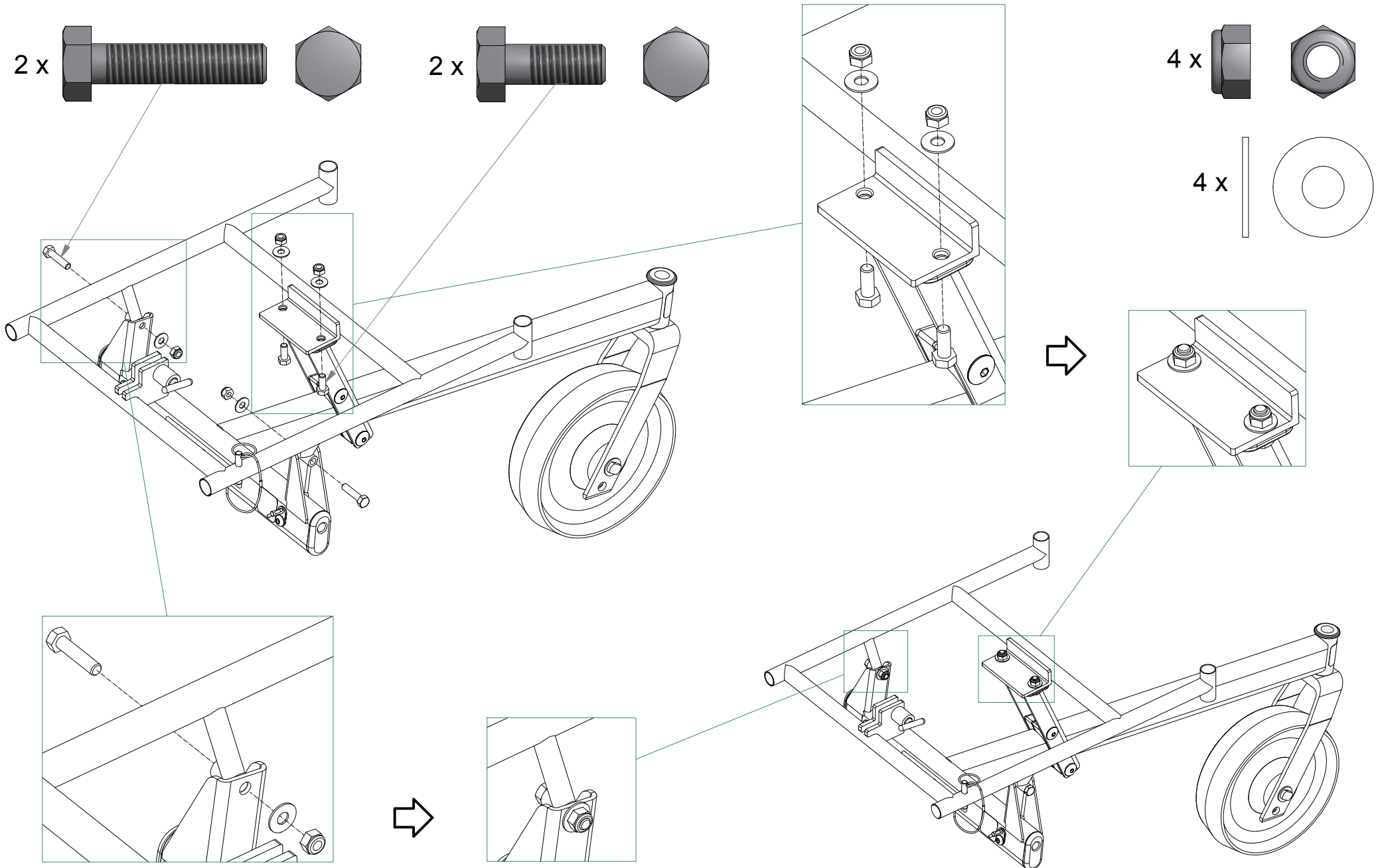


4

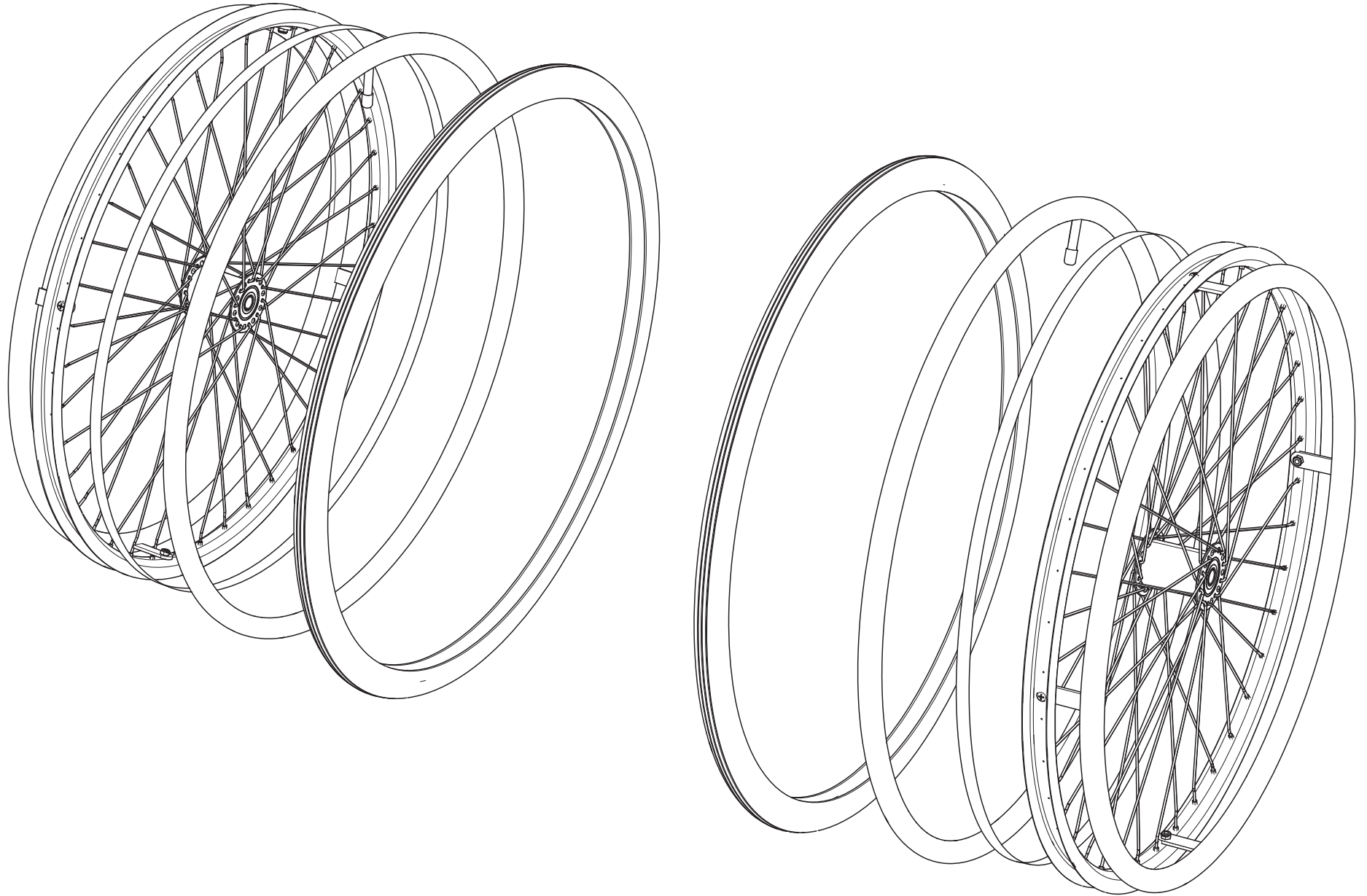


1

SUPPORTIVE SEATING CHASSIS - INTERFACE TO FRAME ASSEMBLY

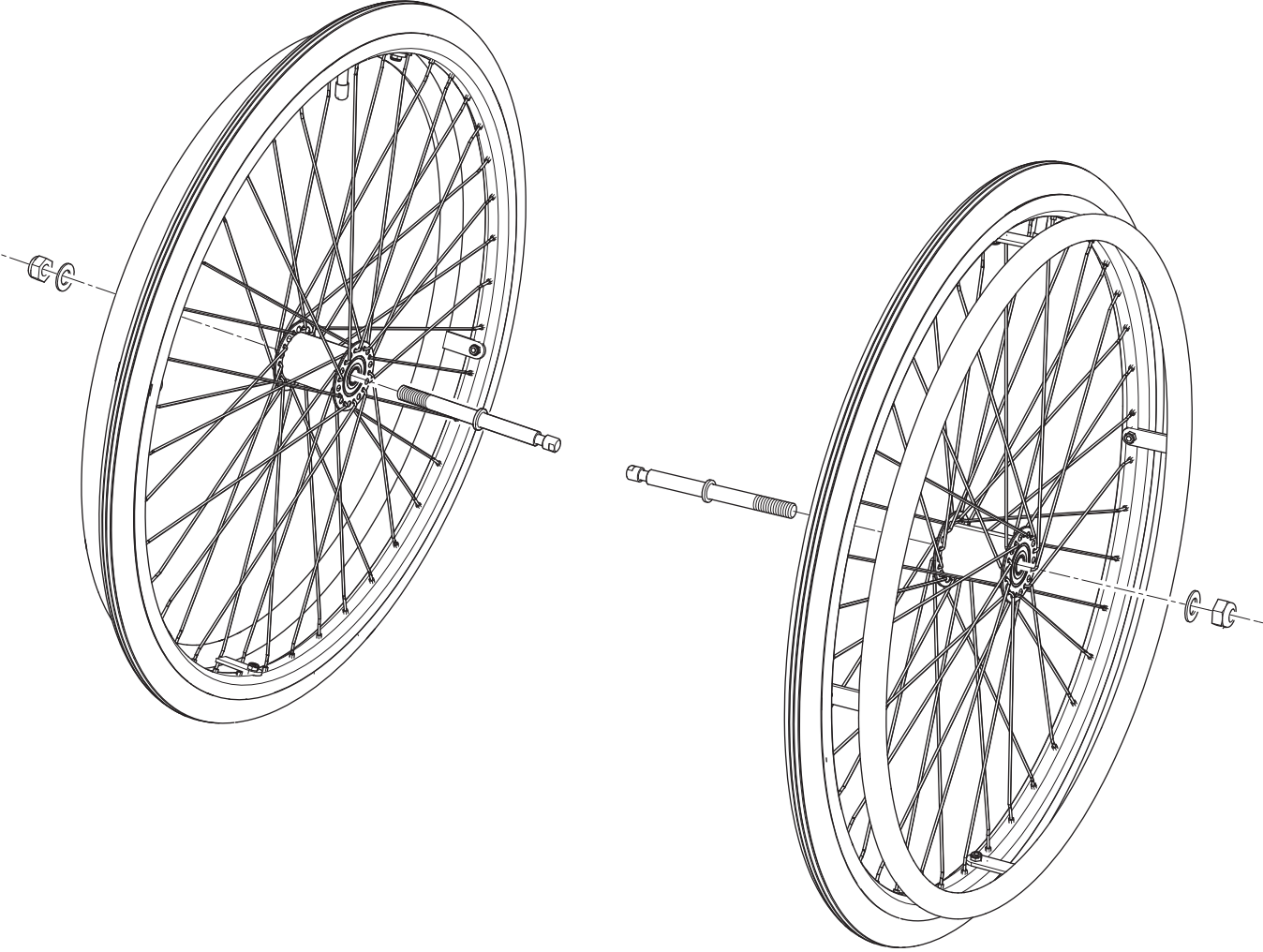
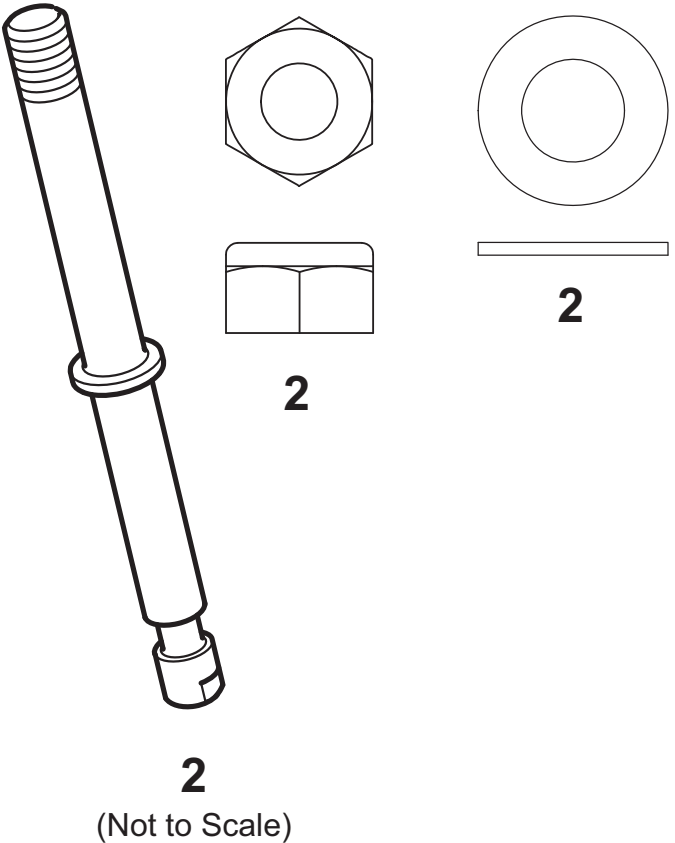


## Wheeled Chassis - Rear Wheel Assembly



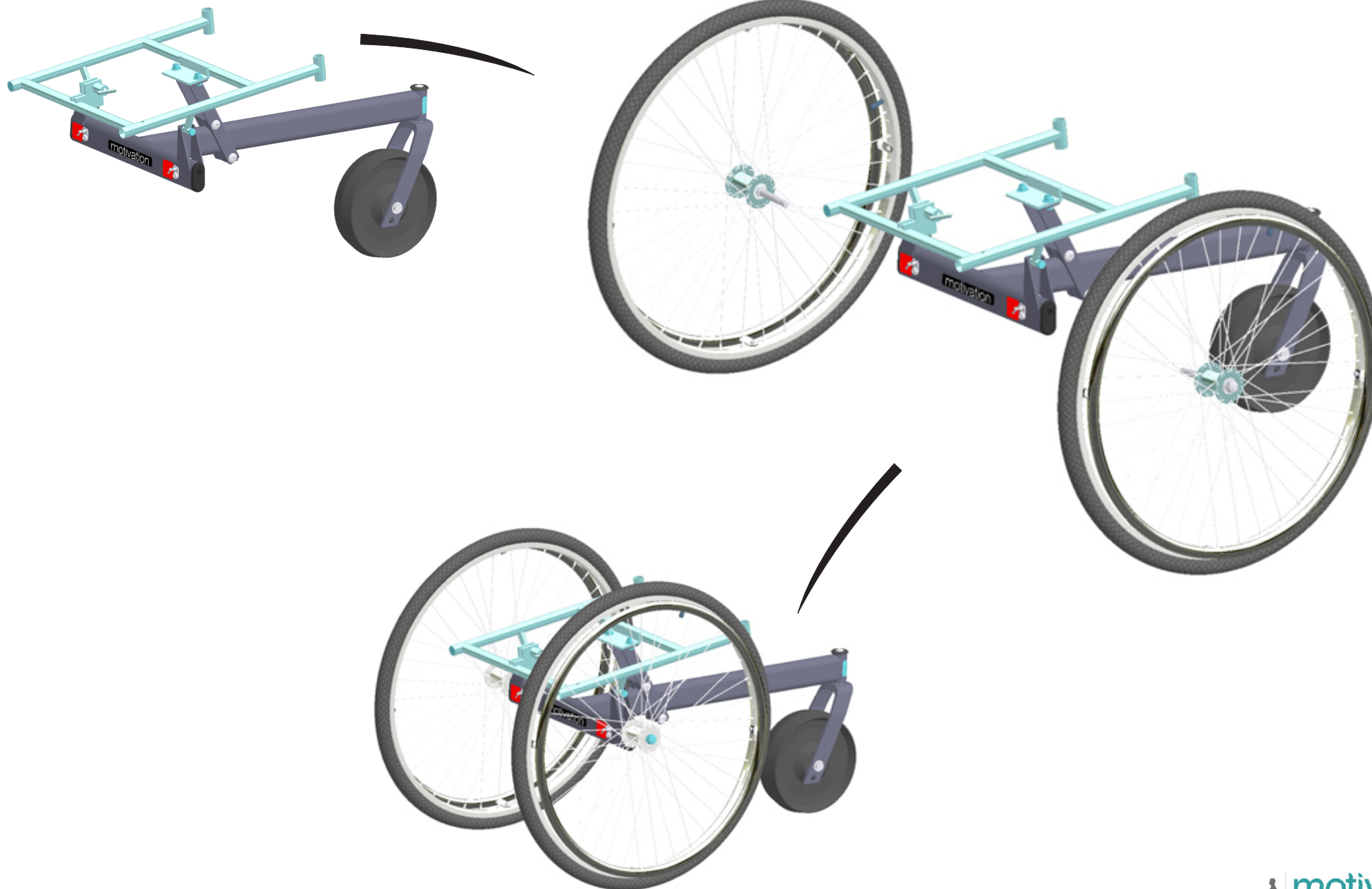


# Wheeled Chassis - Rear Wheel Assembly





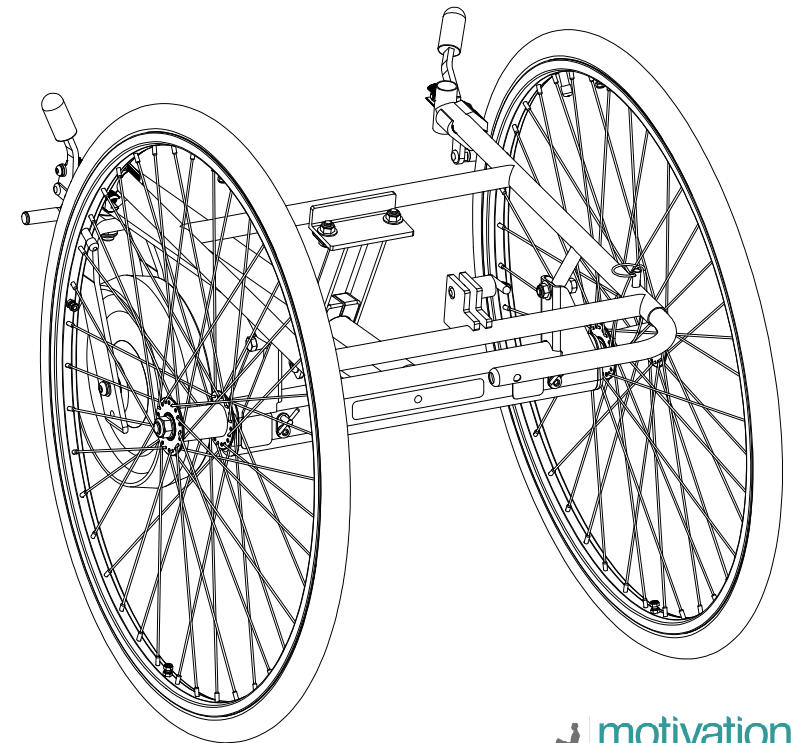
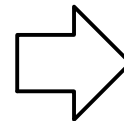
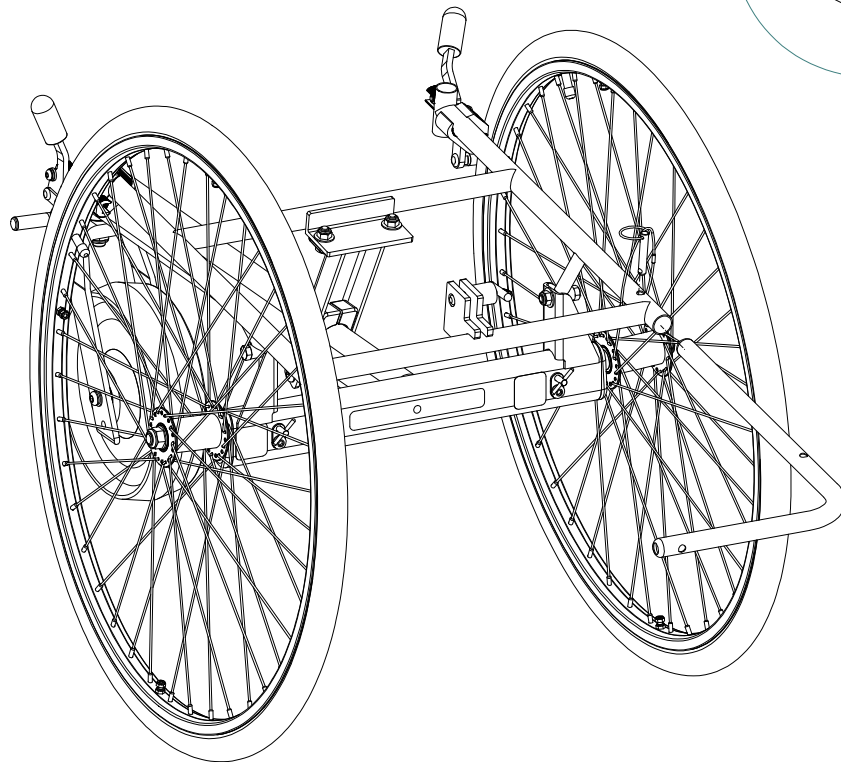
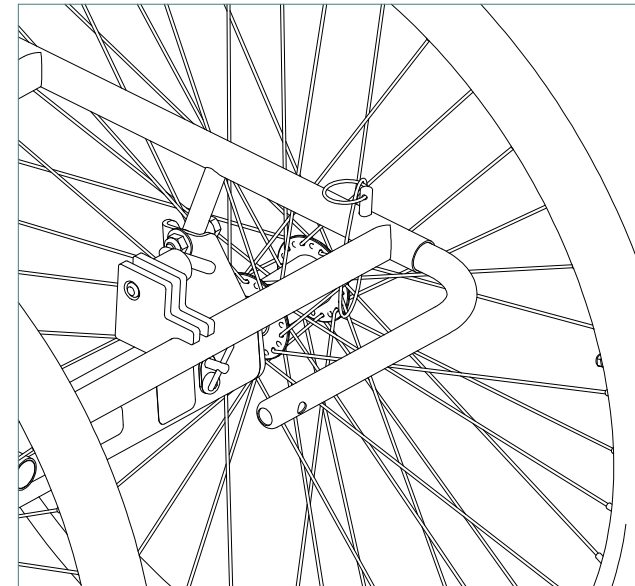
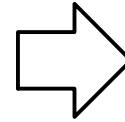
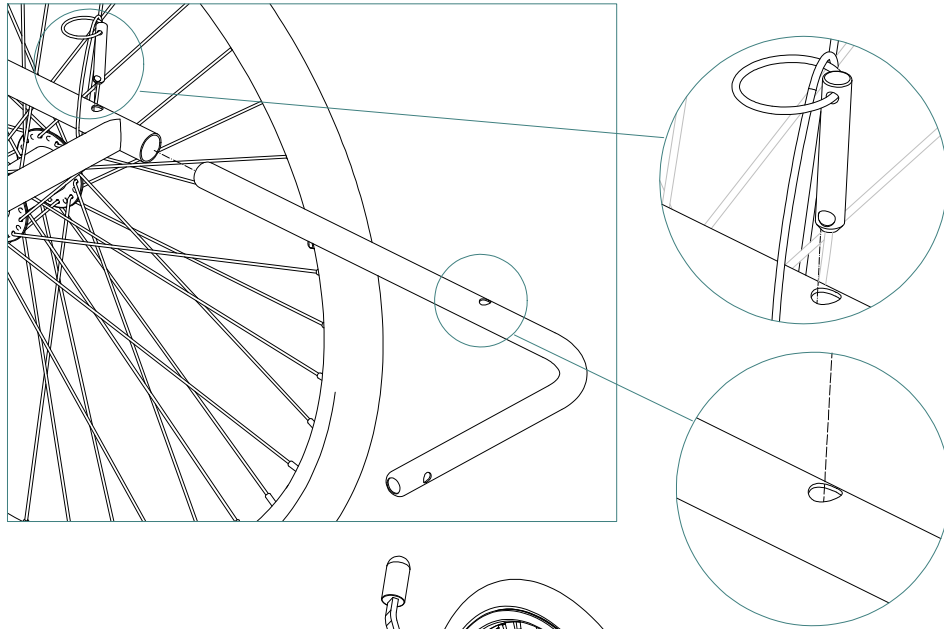
## Wheeled Chassis - Rear Wheel Assembly



# Wheeled Chassis - Brake Assembly

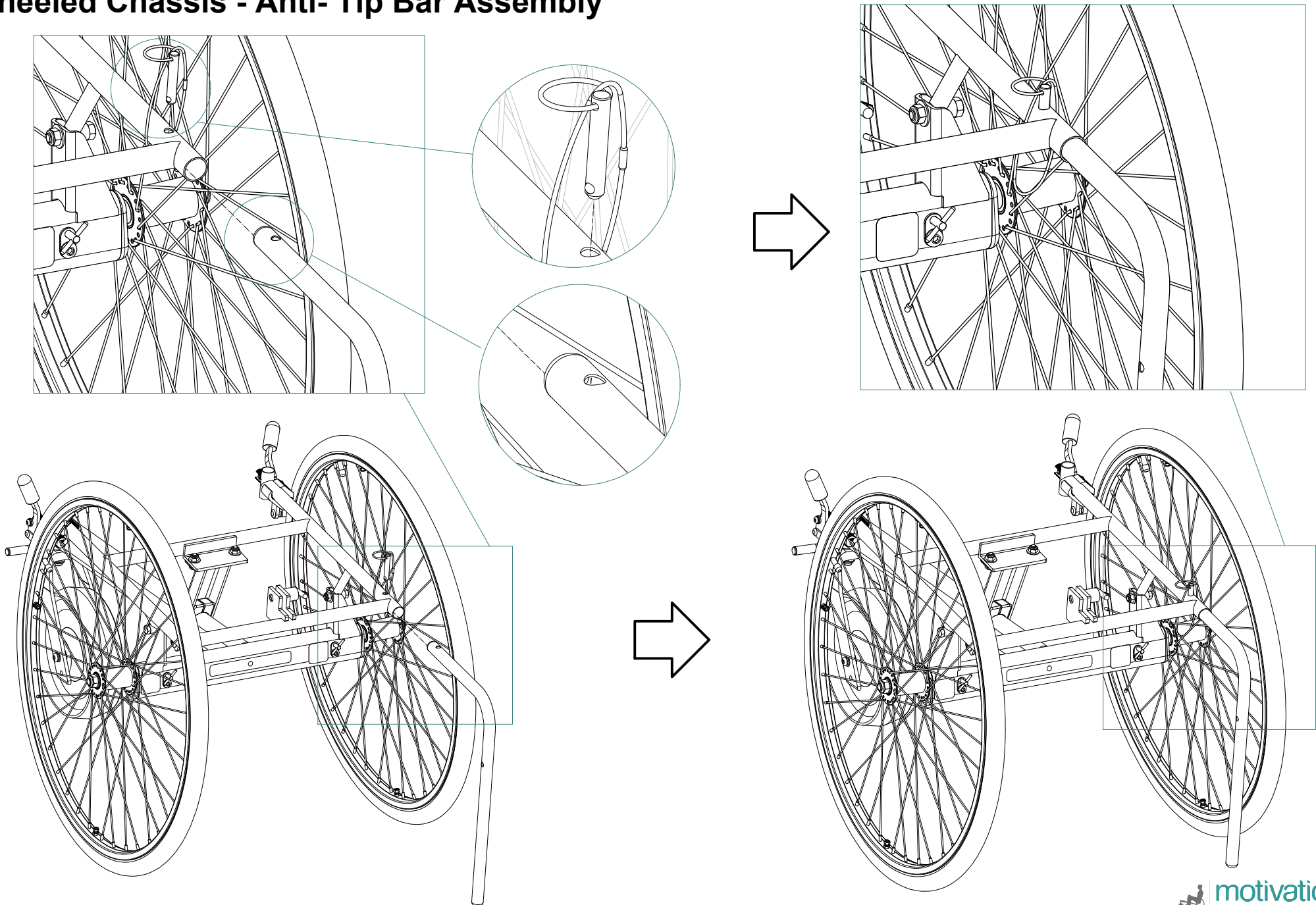


# Wheeled Chassis - Anti-Tip Bar Assembly

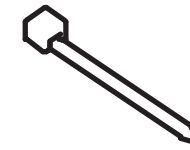




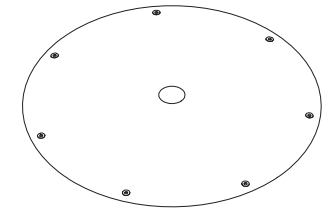
## Wheeled Chassis - Anti-Tip Bar Assembly



# Wheeled Chassis - Spoke Guard Assembly



**14**  
(Not to Scale)

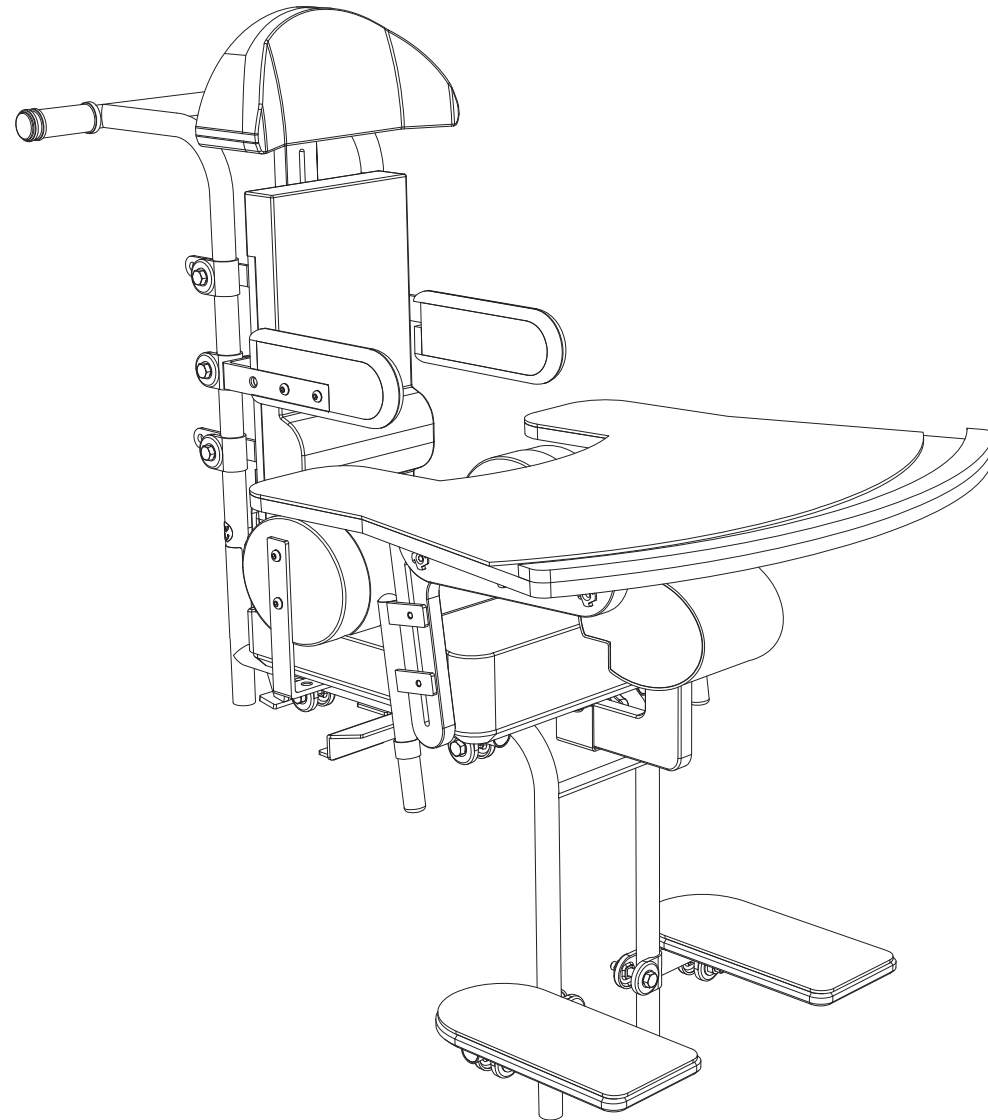


**2**  
(Not to Scale)



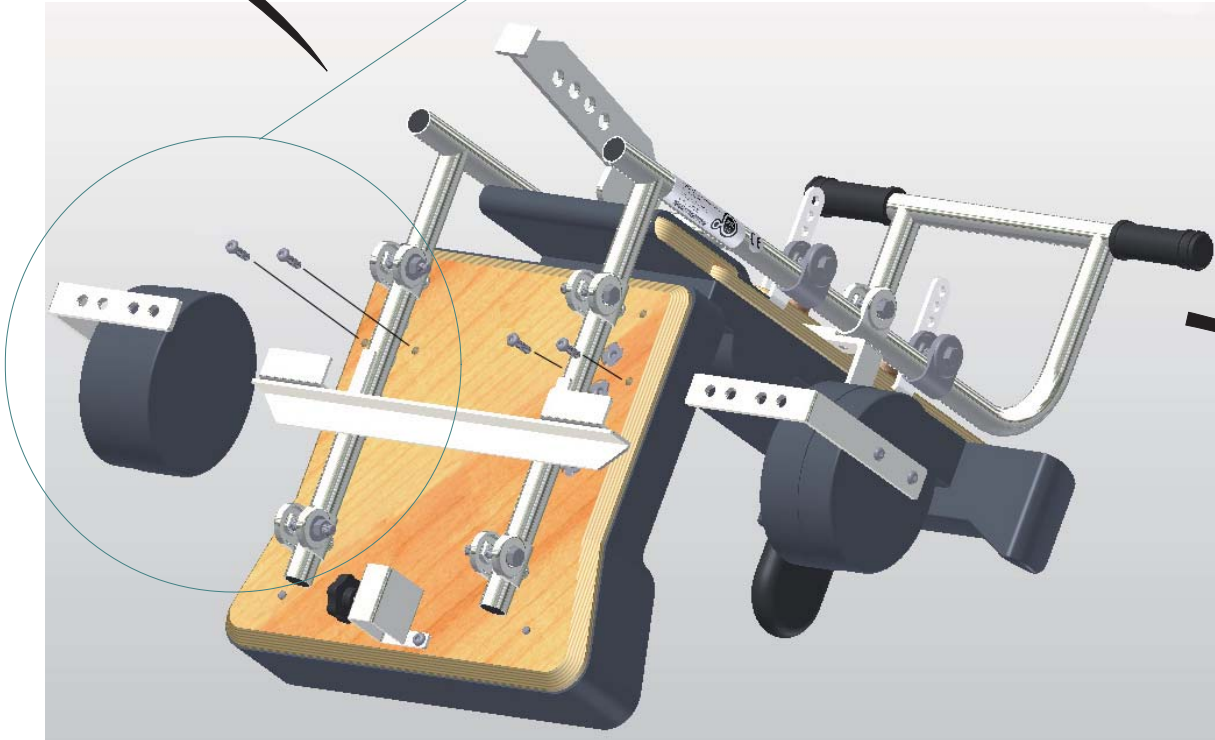
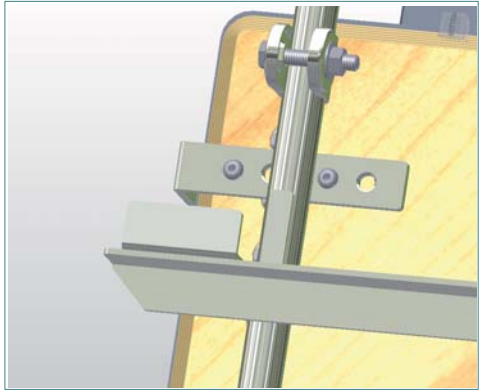
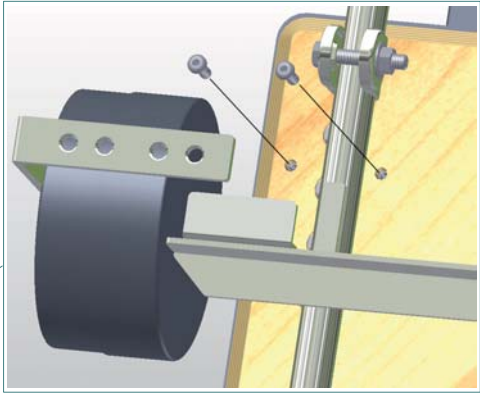
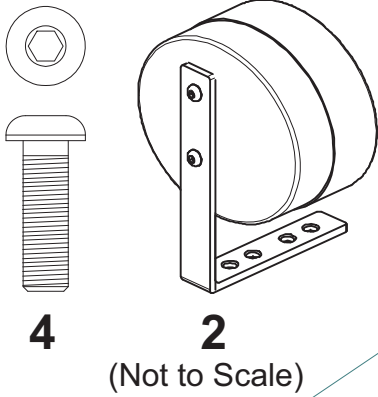


## Seat Unit Assembly

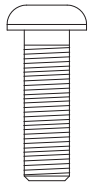
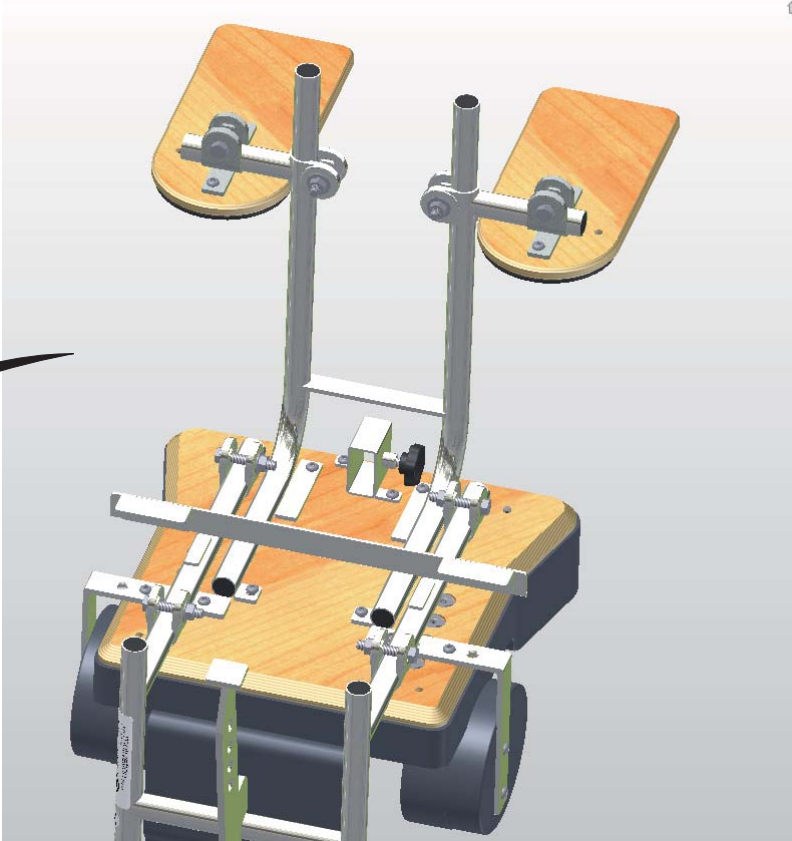
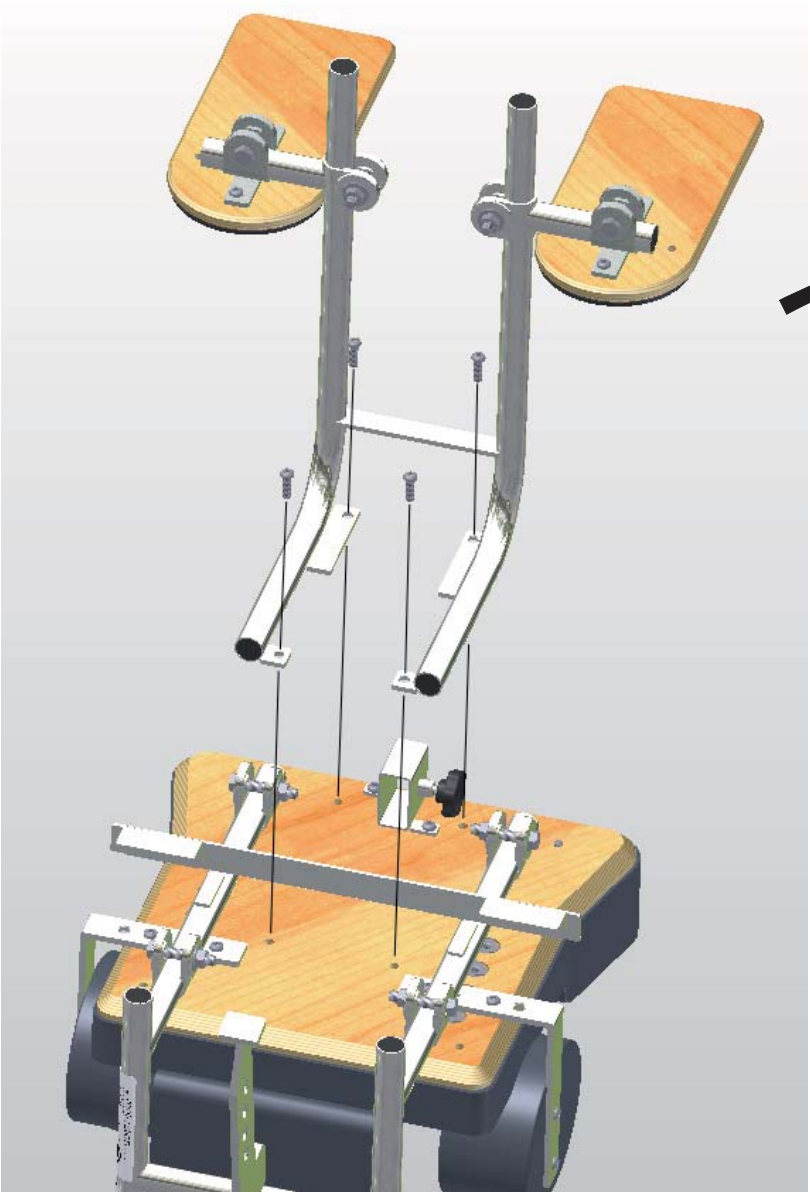




# Seat Unit - Hip Pad Assembly



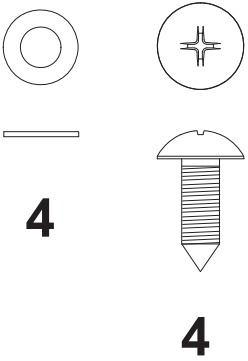
# Seat Unit - Frame Assembly



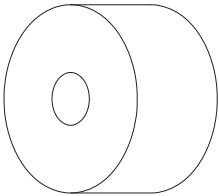
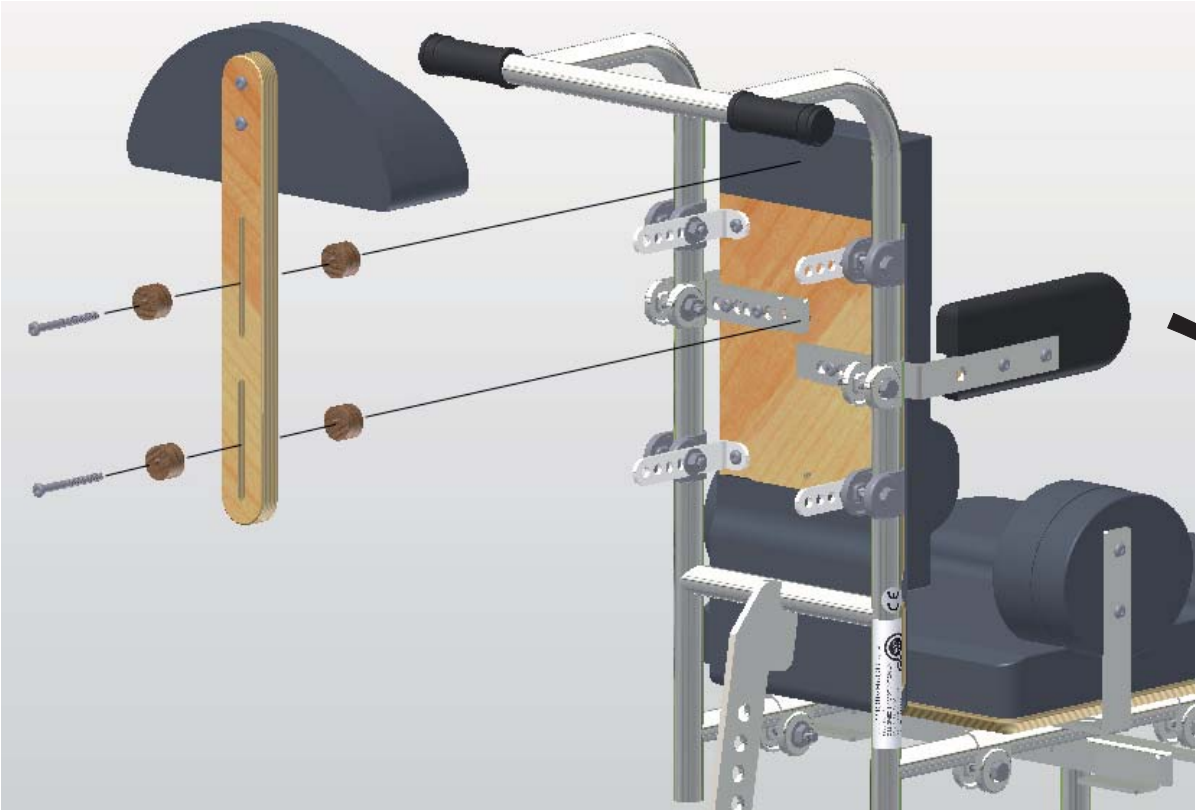
4



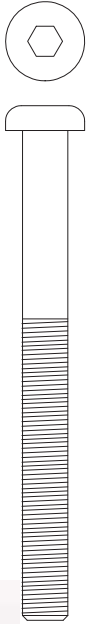
# Seat Unit - Ankle Strap Assembly



# Seat Unit - Headrest Assembly



**4**  
(Not to Scale)

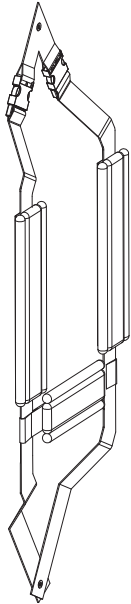
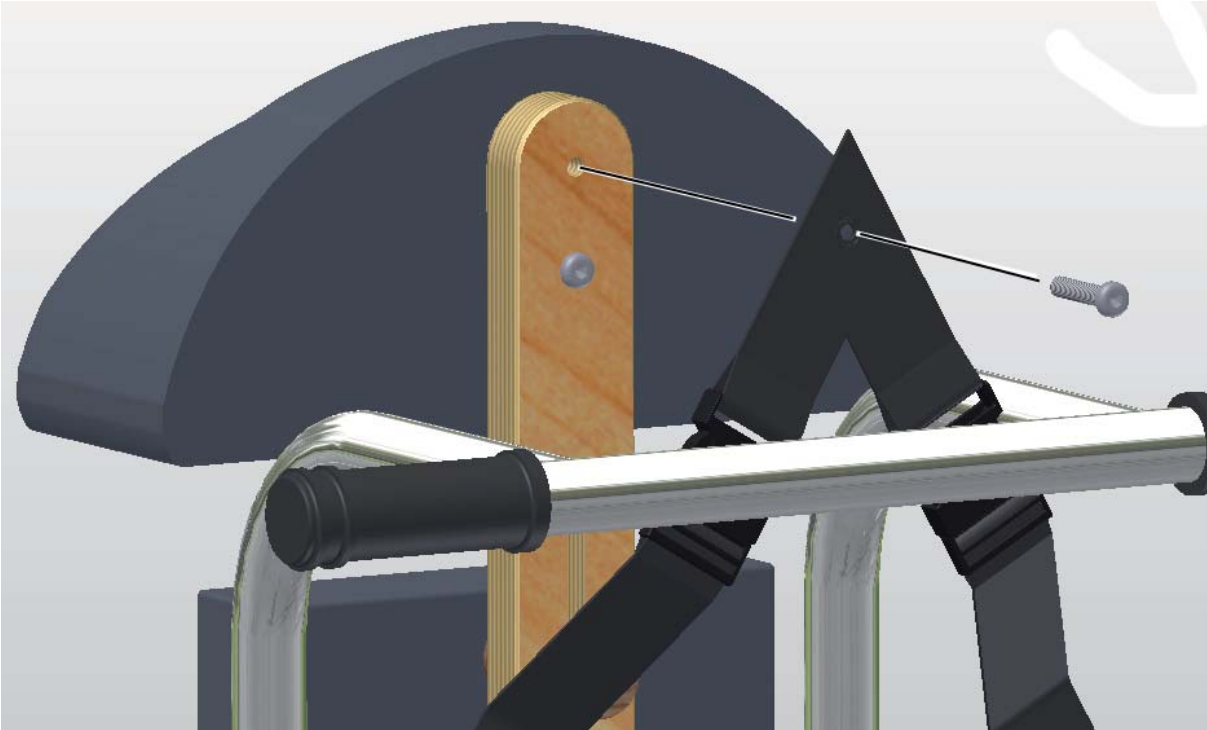


**2**





# Seat Unit - Shoulder Strap Assembly

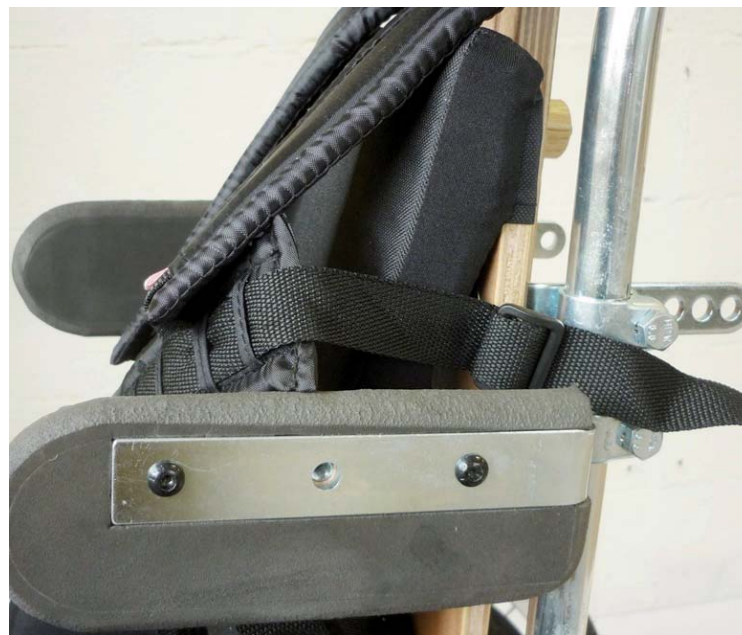


1

(Not to Scale)

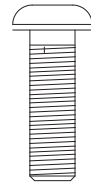


## Seat Unit - Shoulder Strap Assembly





## Seat Unit - Shoulder Strap Assembly

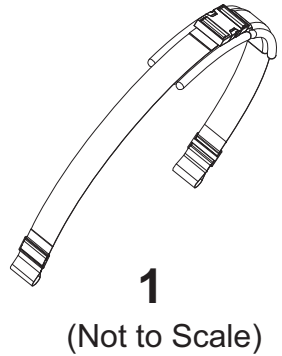
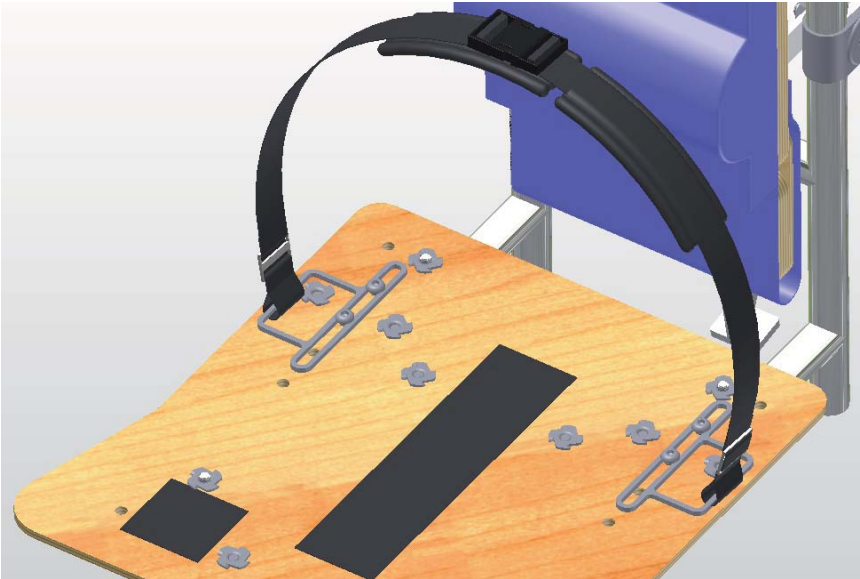
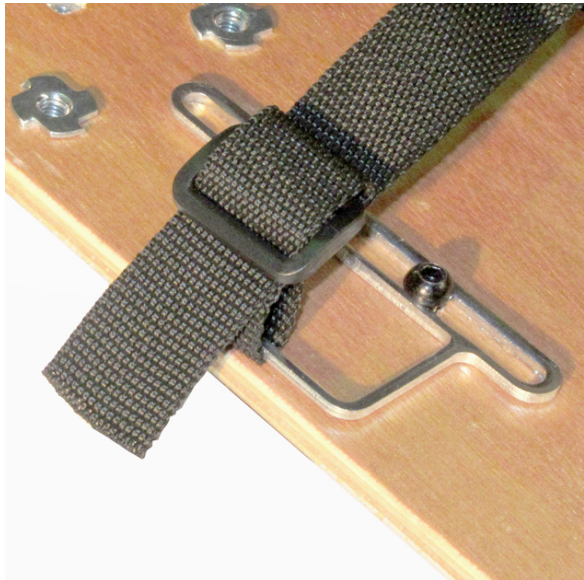
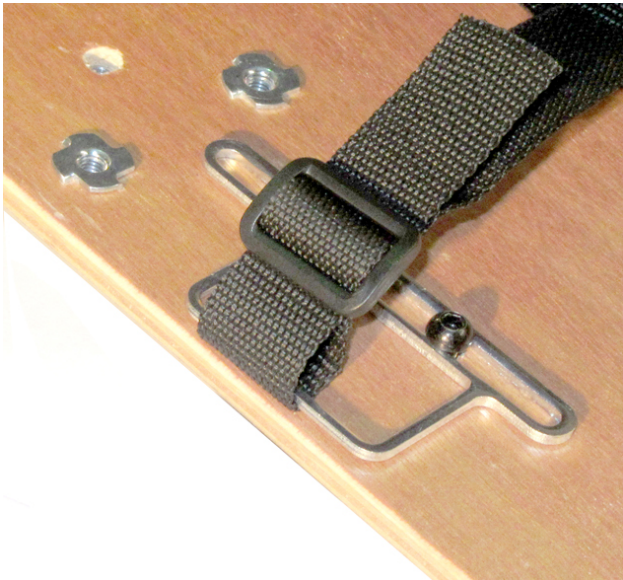
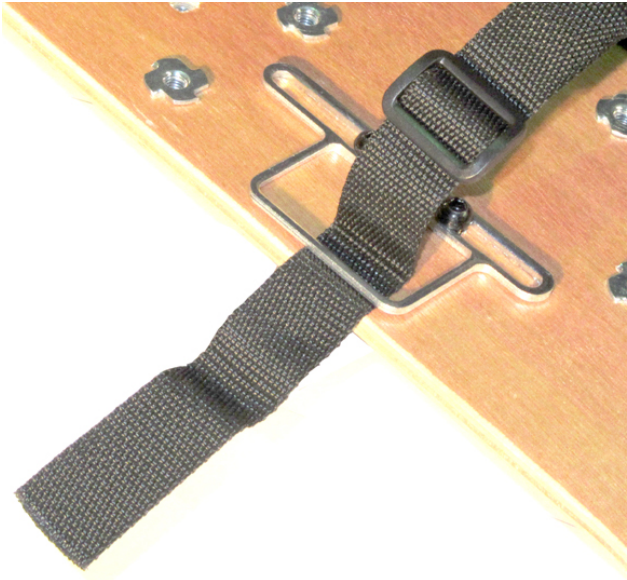


1

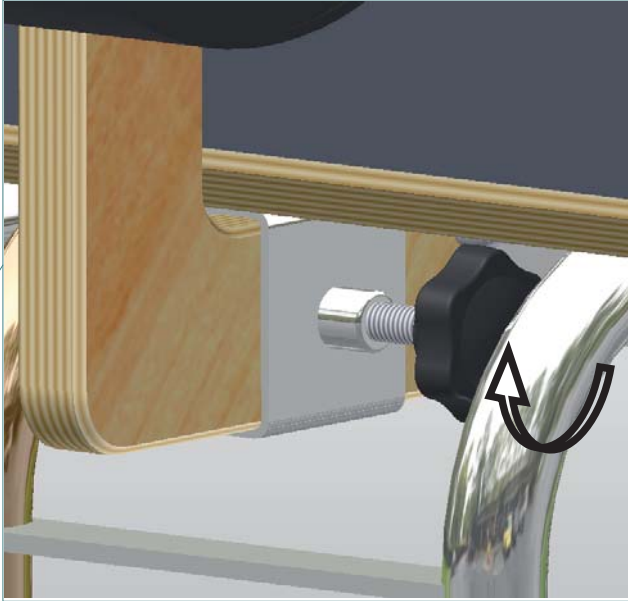
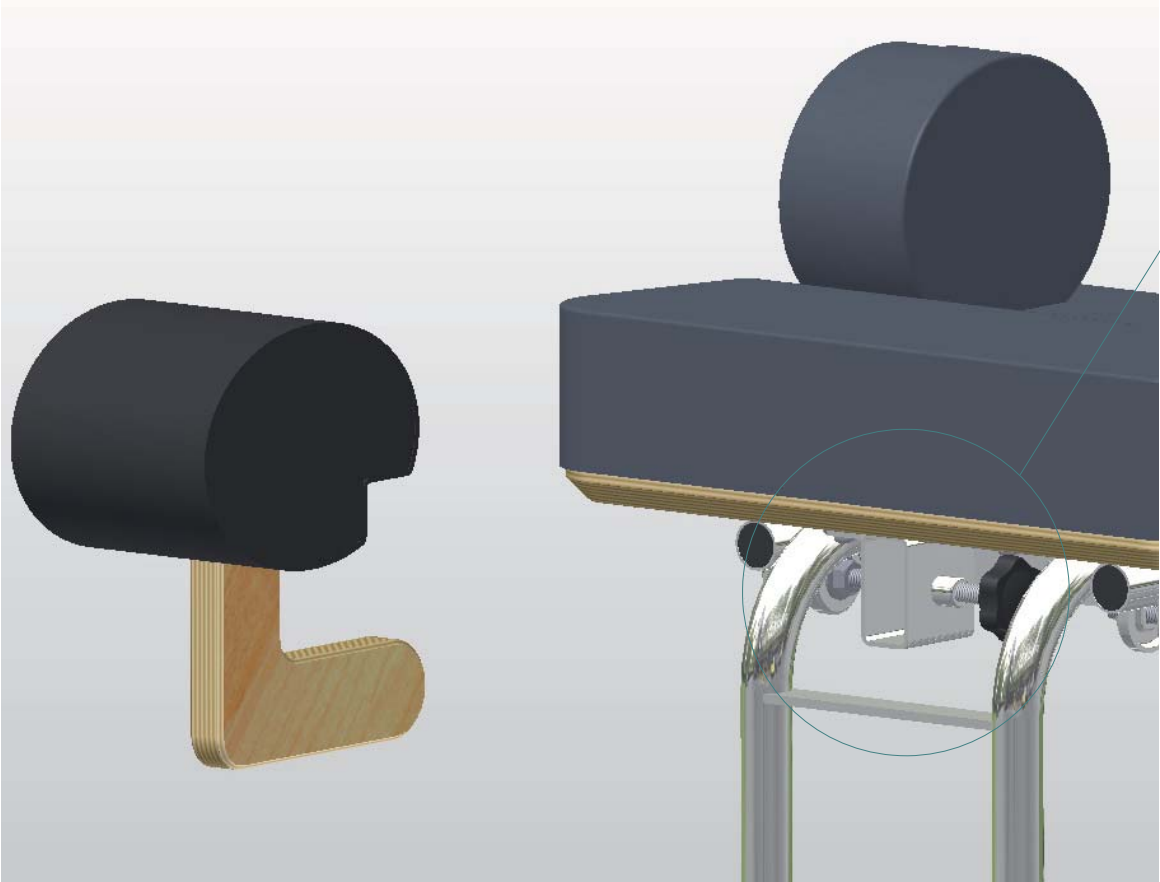




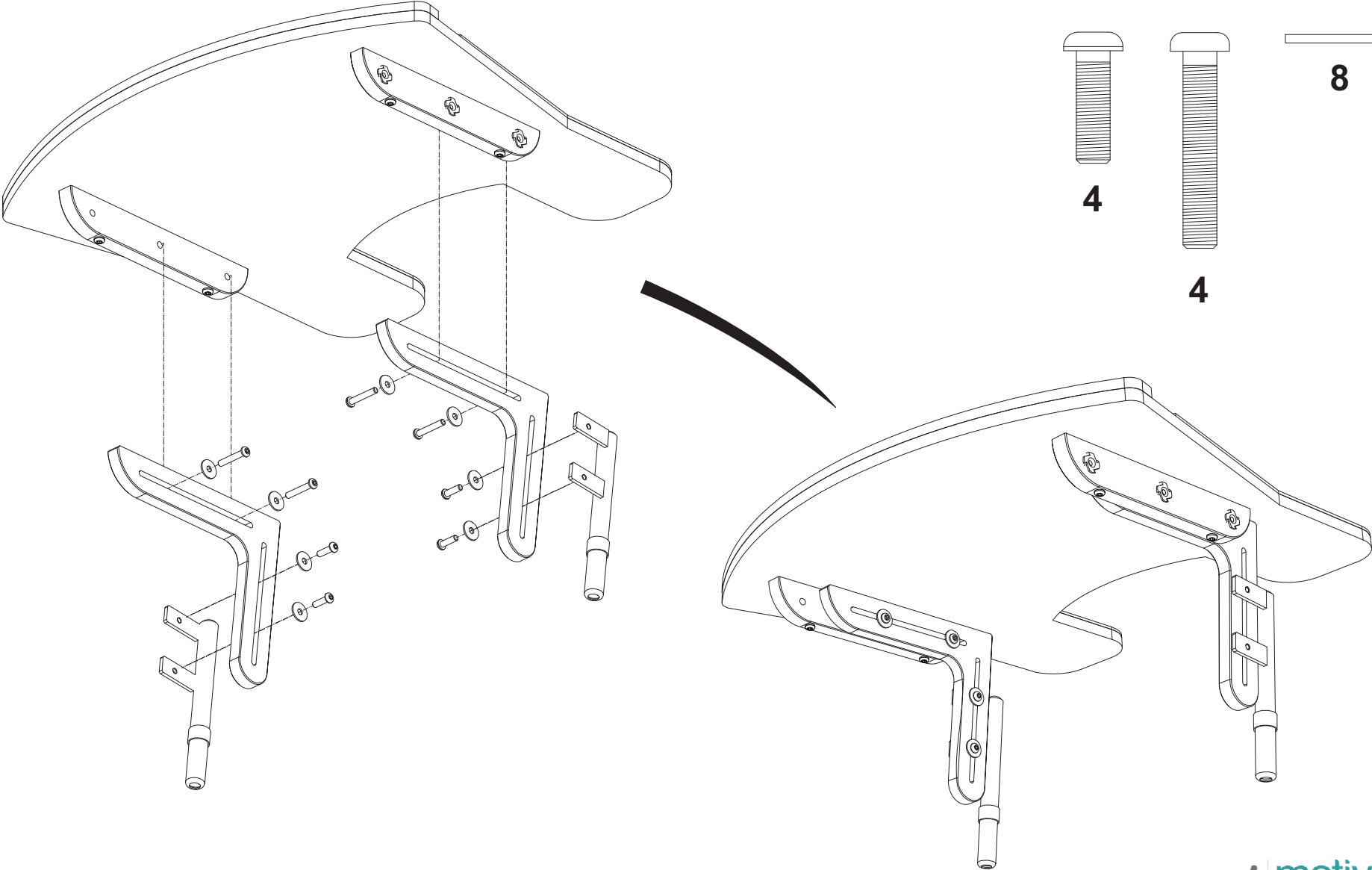
# Seat Unit - Pelvis Strap Assembly



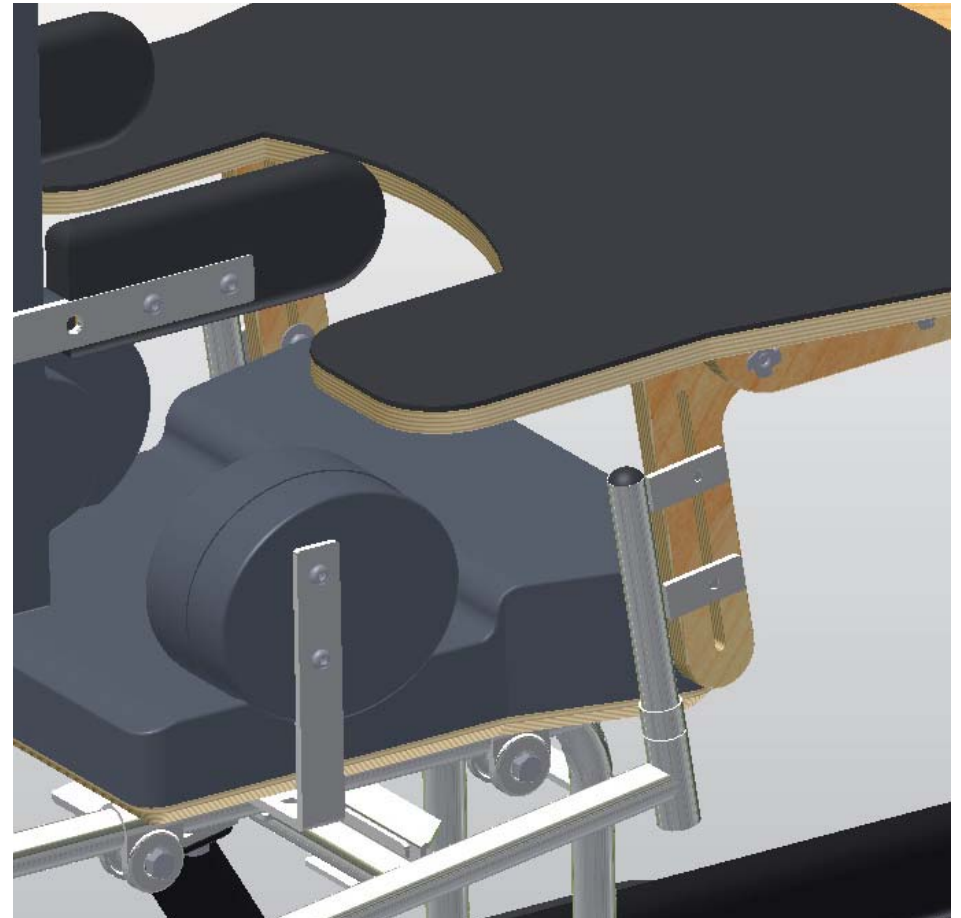
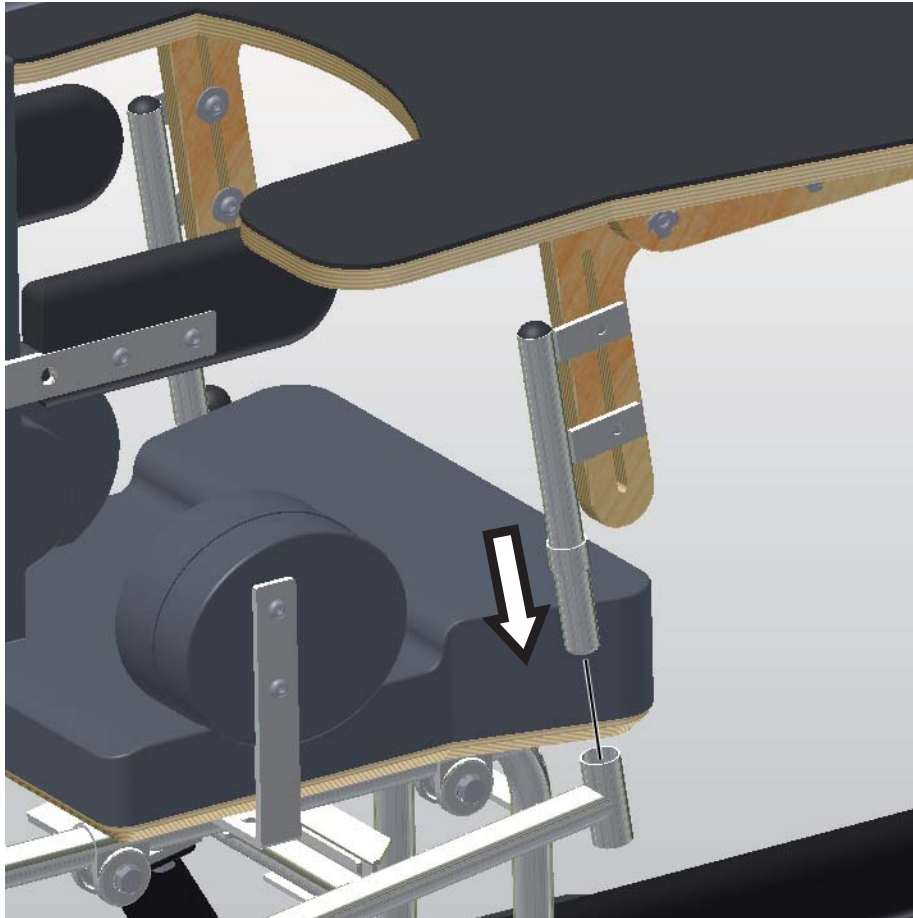
# Seat Unit - Abductor Pad Assembly



# Seat Unit - Tray Assembly

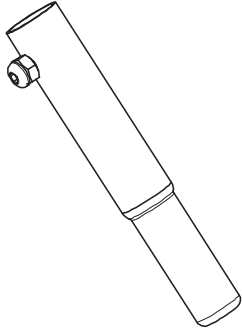
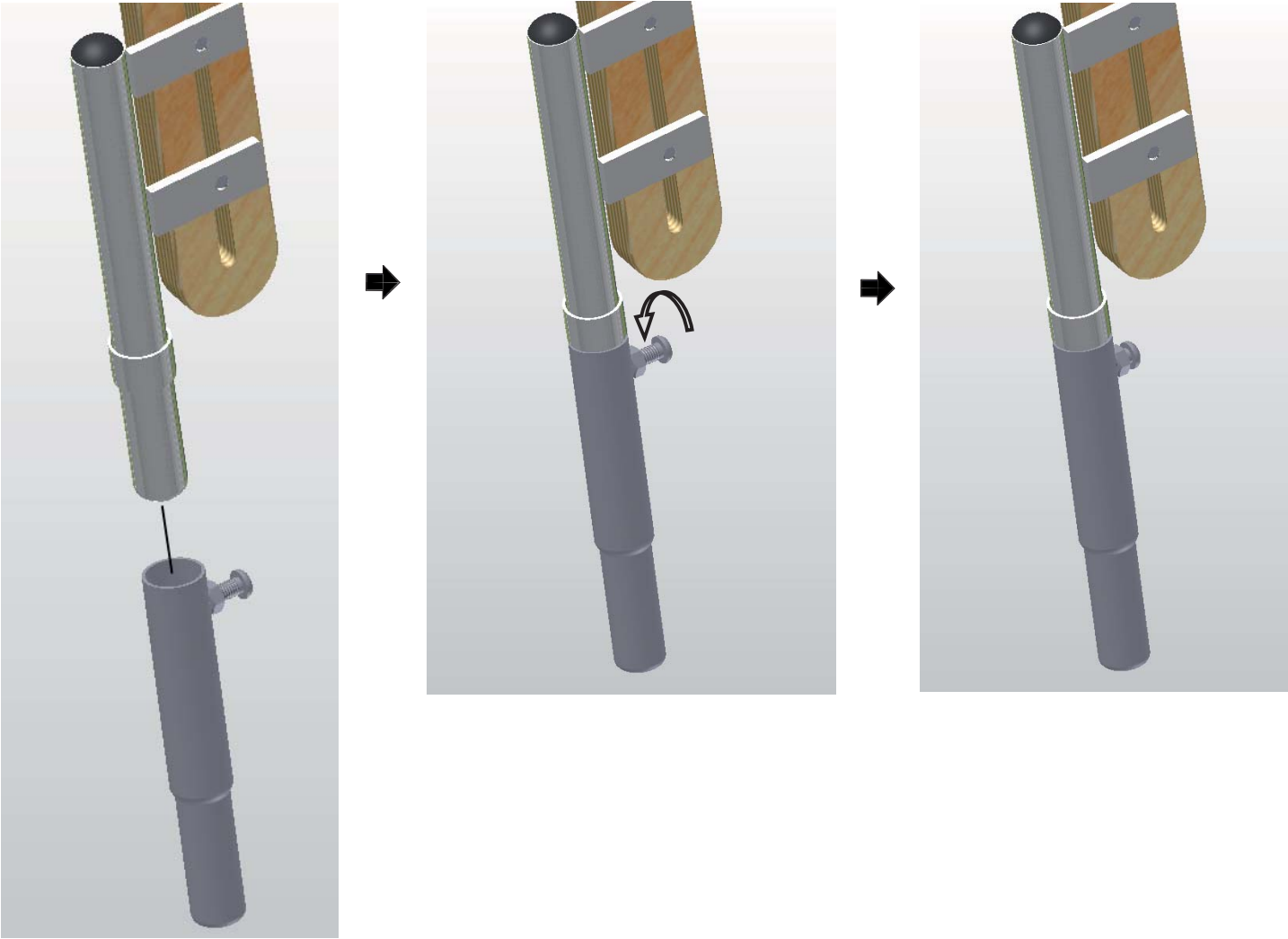


## Seat Unit - Tray Assembly

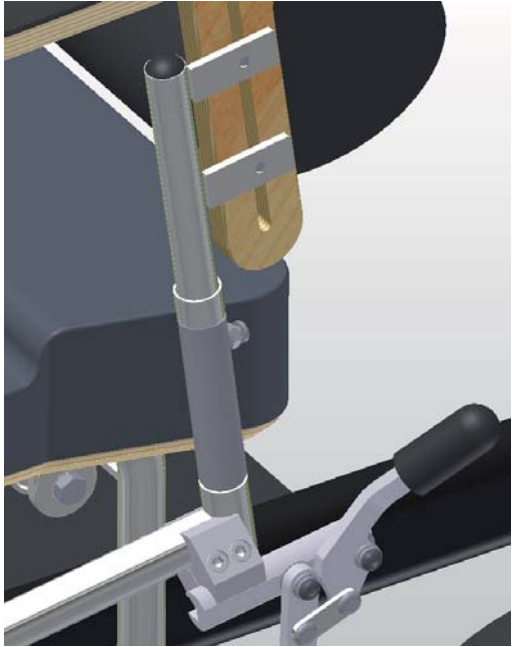




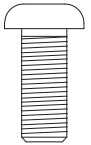
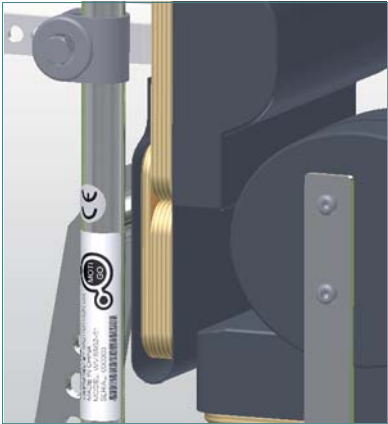
# Seat Unit - Tray height Extension Tube Assembly



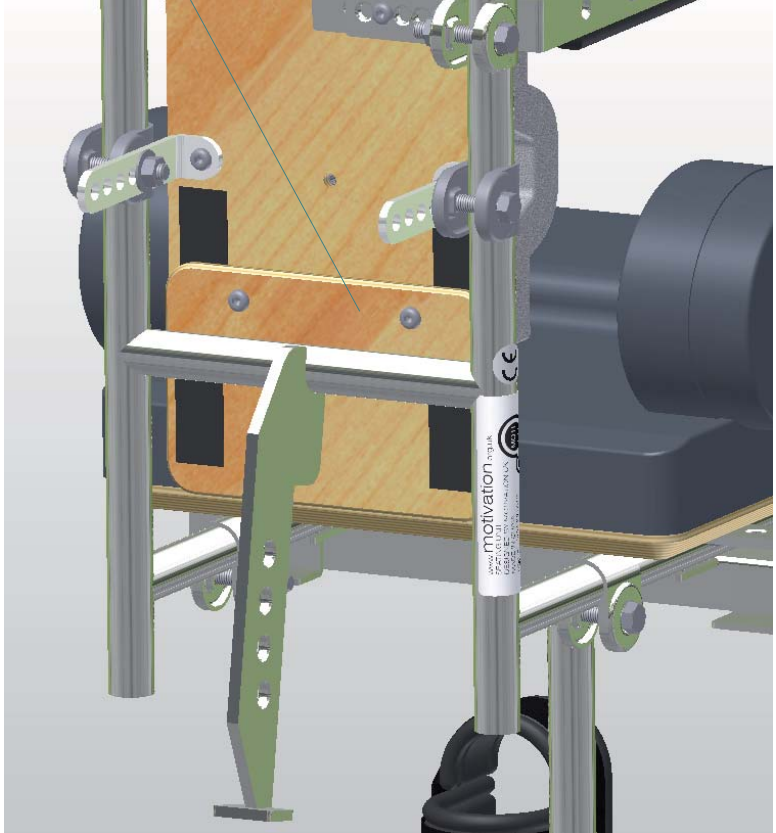
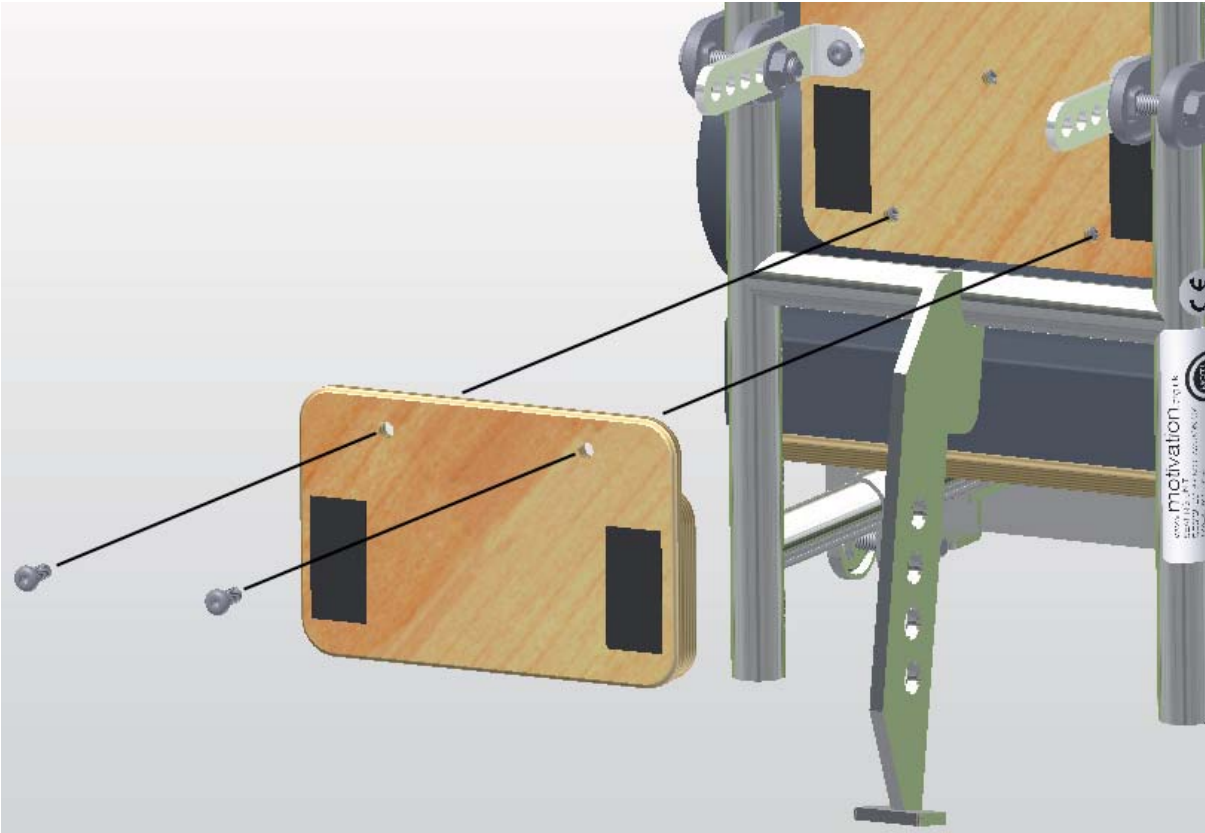
2  
(Not to Scale)



# Seat Unit - Backrest Extension Panel Assembly



2



# Seat Unit and Chassis Assembly

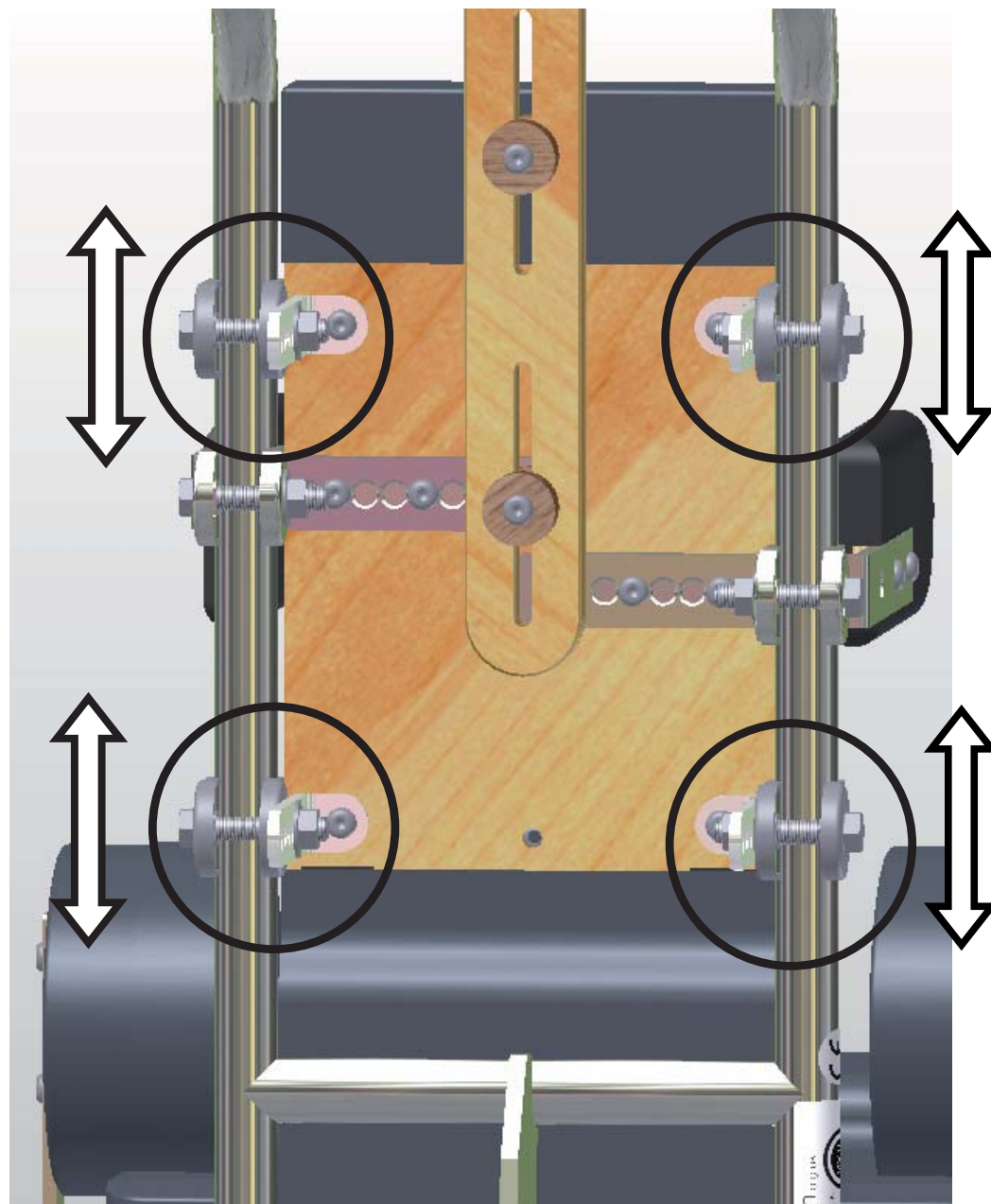
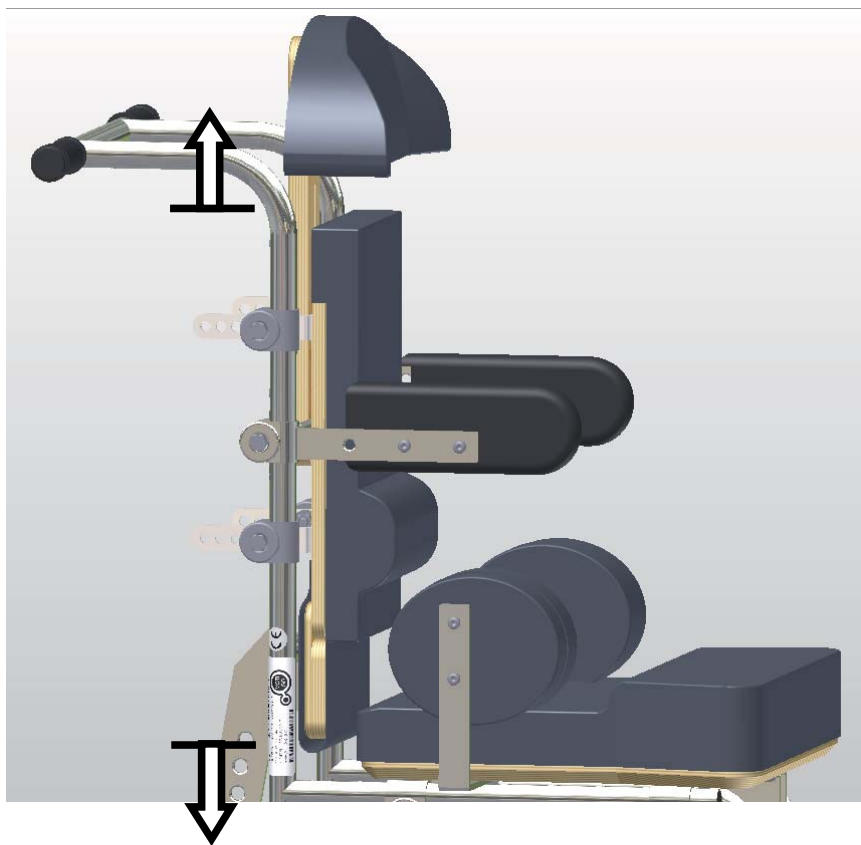




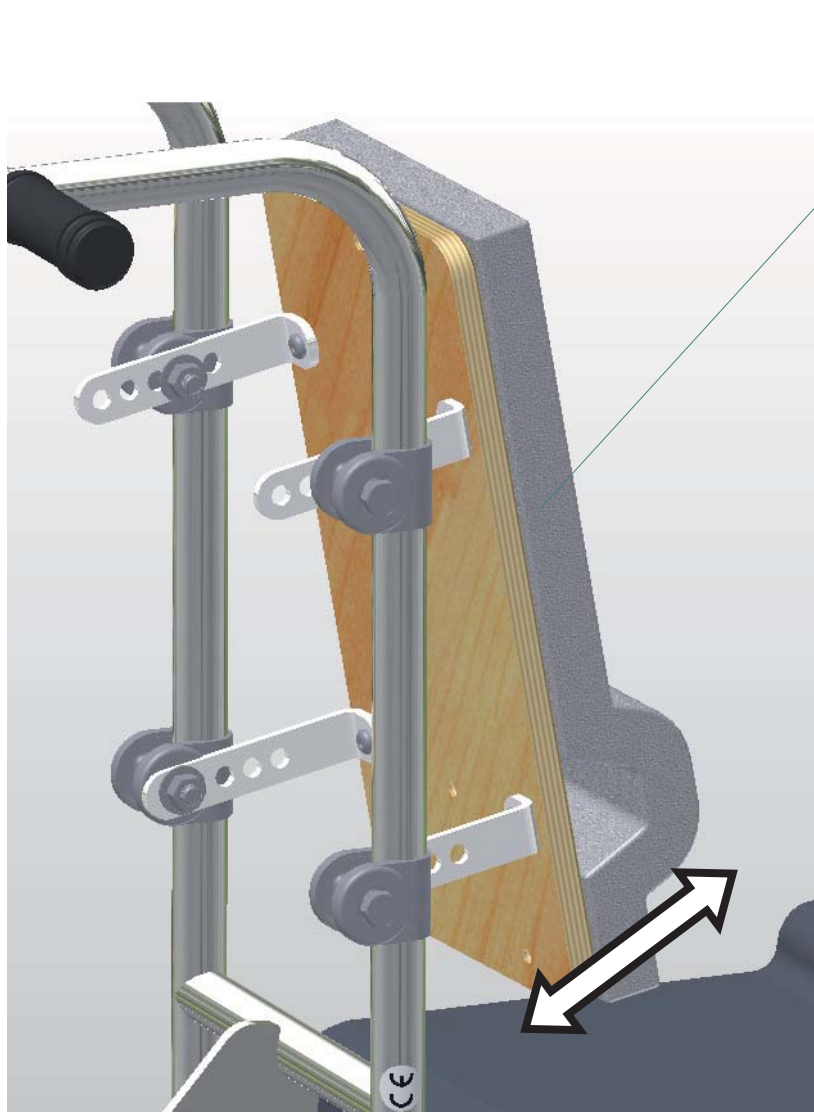
---

# Moti Go Wheelchair - Adjustment of Parts

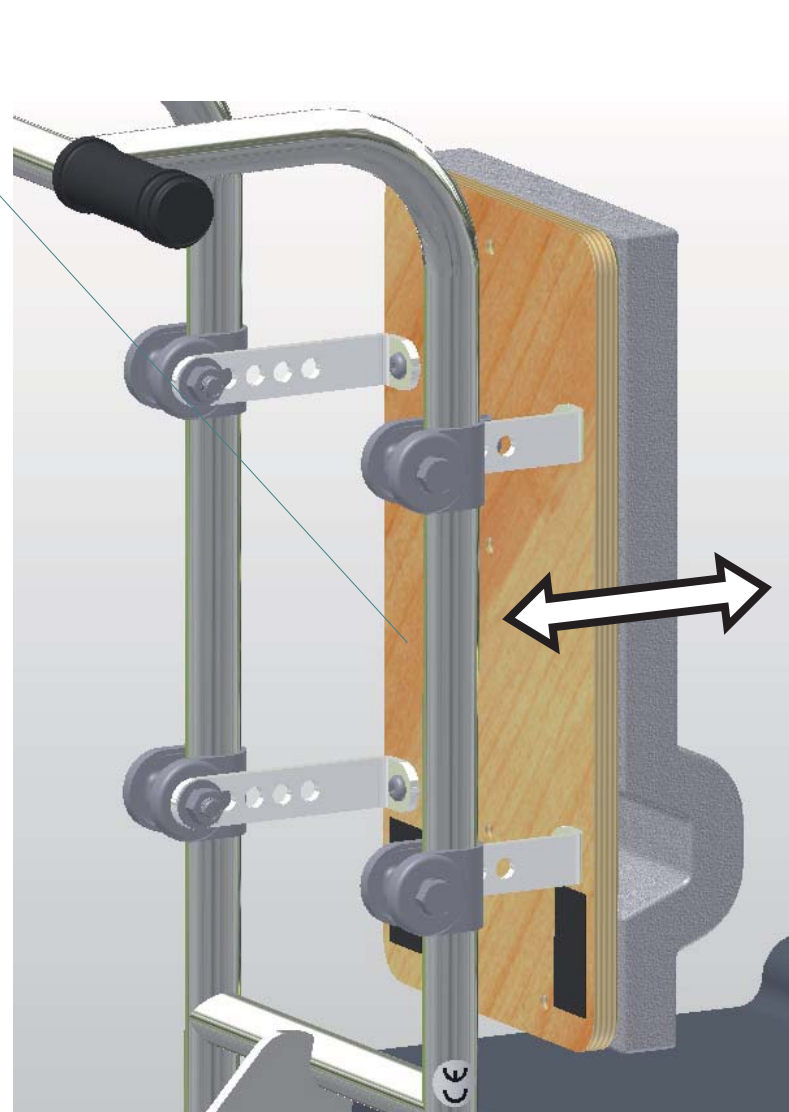
## Adjustment - Backrest Height



## Adjustment - Backrest Recline Angle and Forward / Back Position

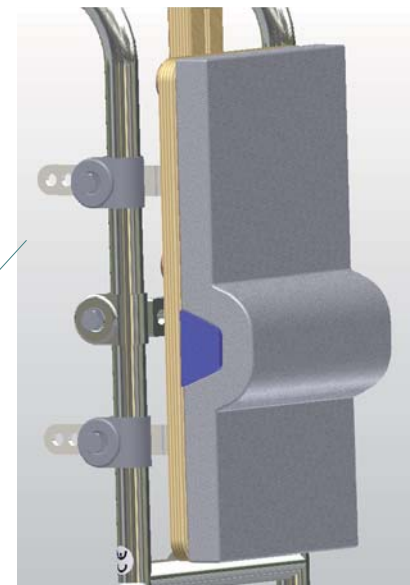
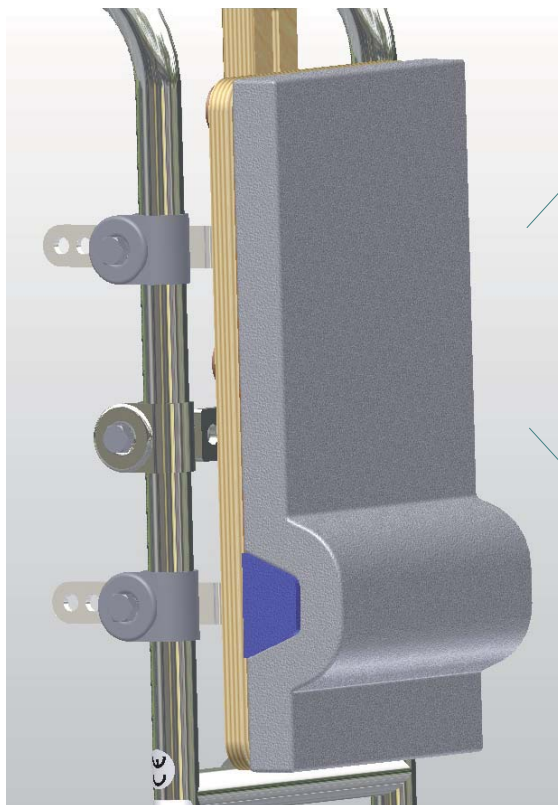
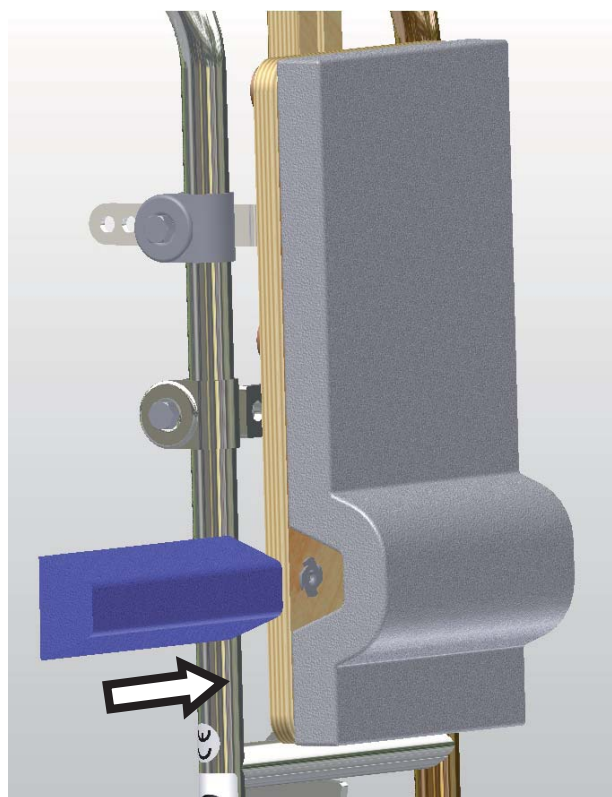


Angle Adjustment

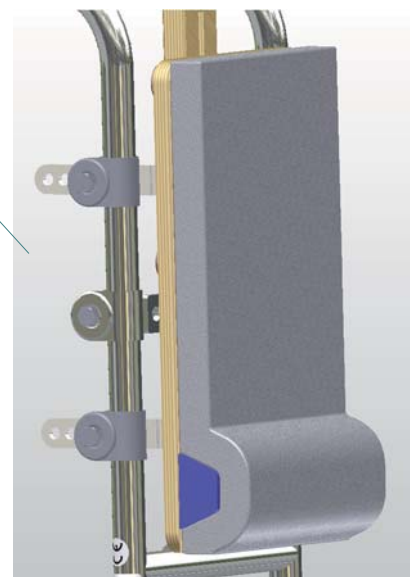


Forward / Back Adjustment

## Adjustment - Sacral Pad Height



Highest Position



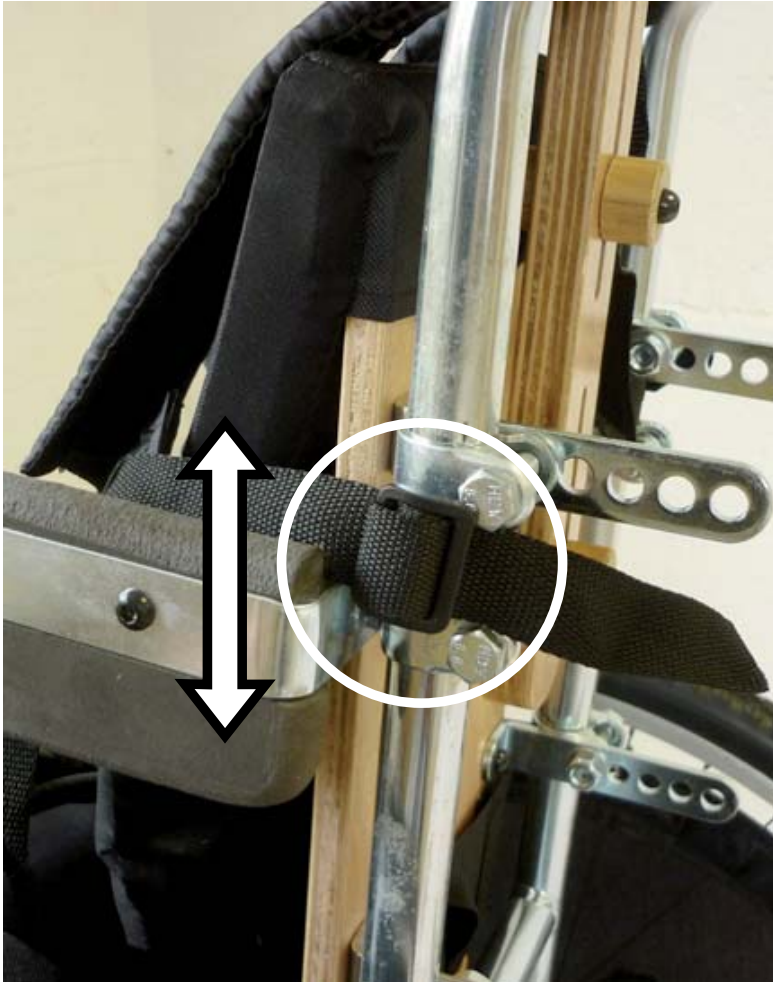
Lowest Position

## Adjustment - Sacral Pad Thickness

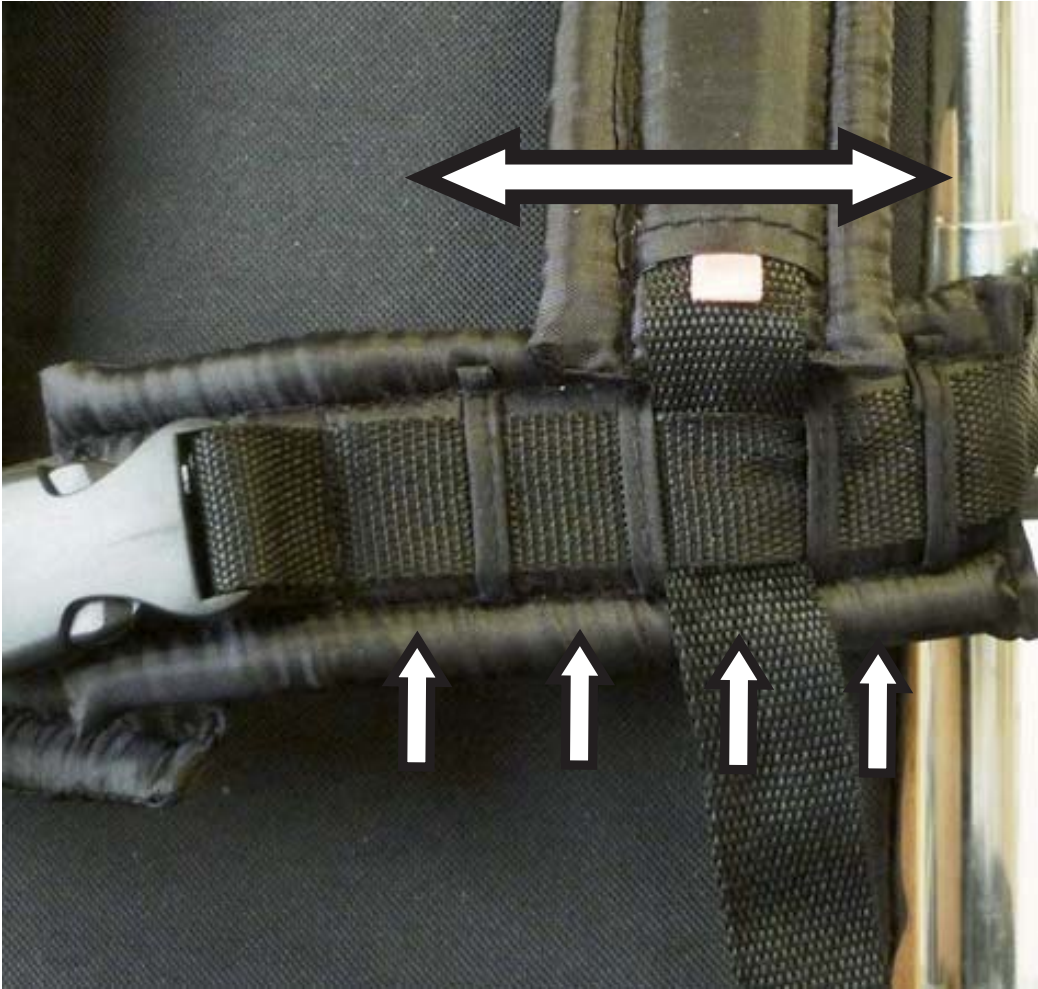




# Adjustment - Shoulder Strap Position



Side Strap Height

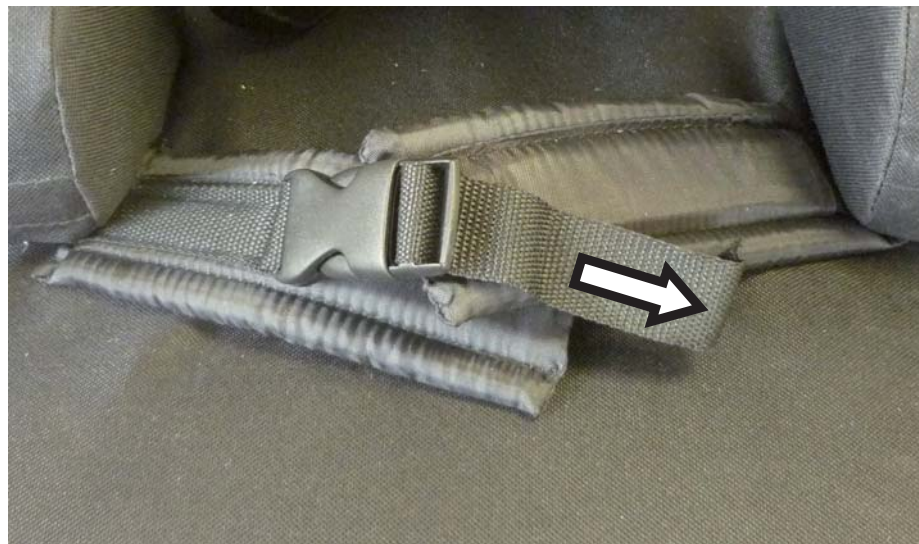


Shoulder Strap Width Position

## Adjustment - Shoulder and Pelvis Strap Length



Shoulder Strap

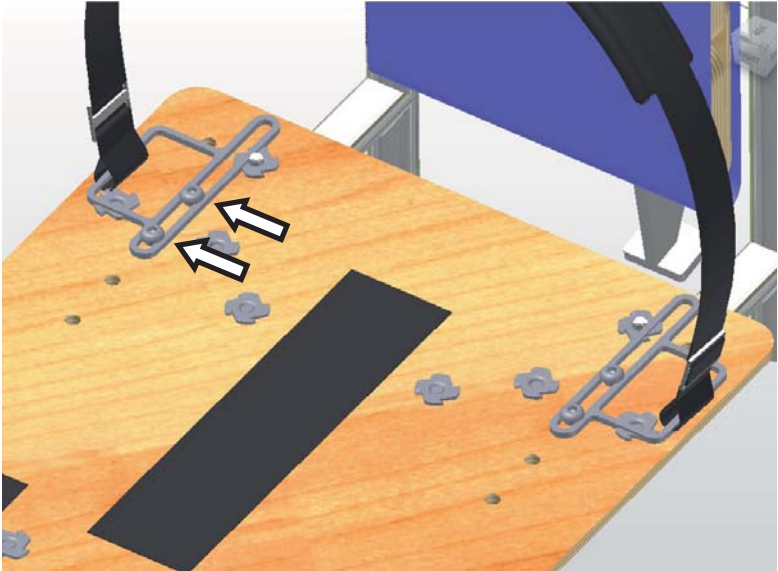


Pelvis Strap

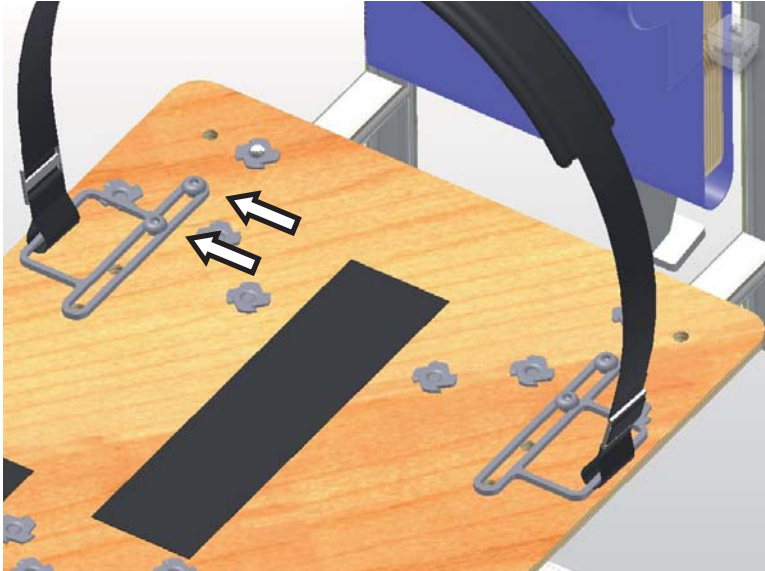


# Adjustment - Pelvis Strap Position

Back Position Range

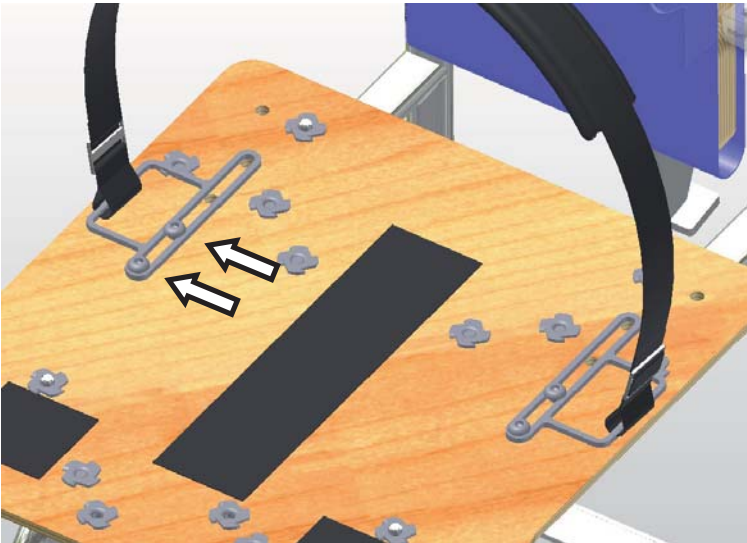


Furthest Back Position

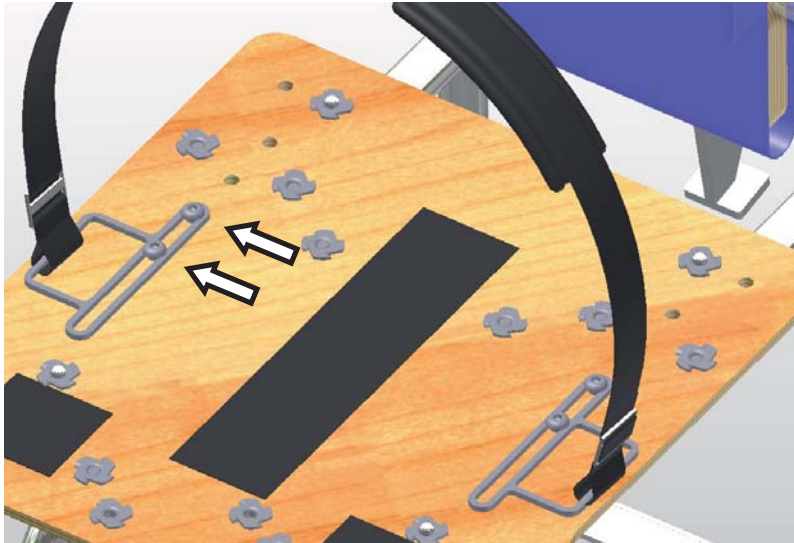


Furthest Forward Position

Forward Position Range

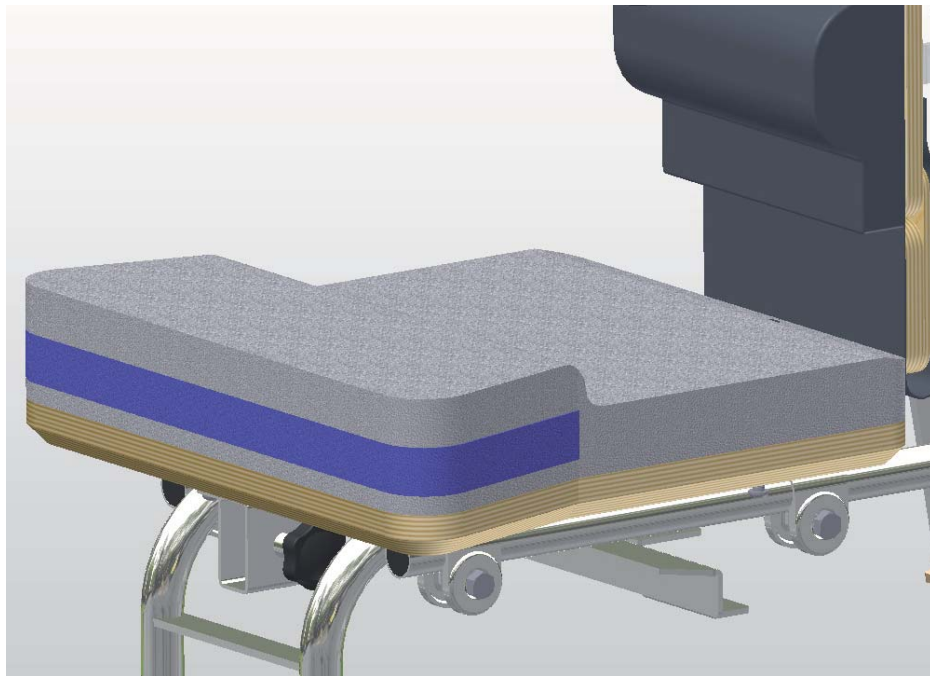
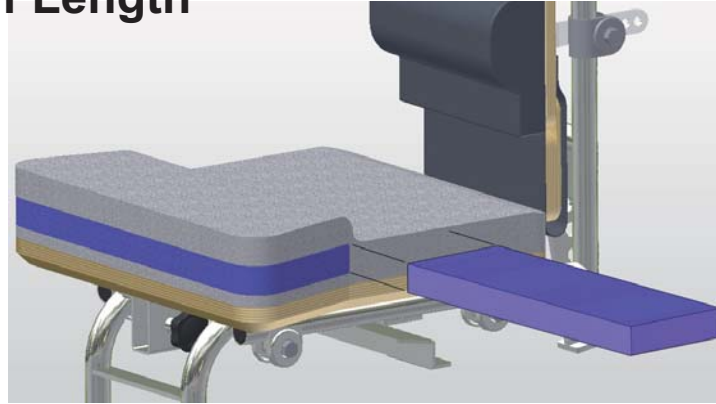


Furthest Back Position

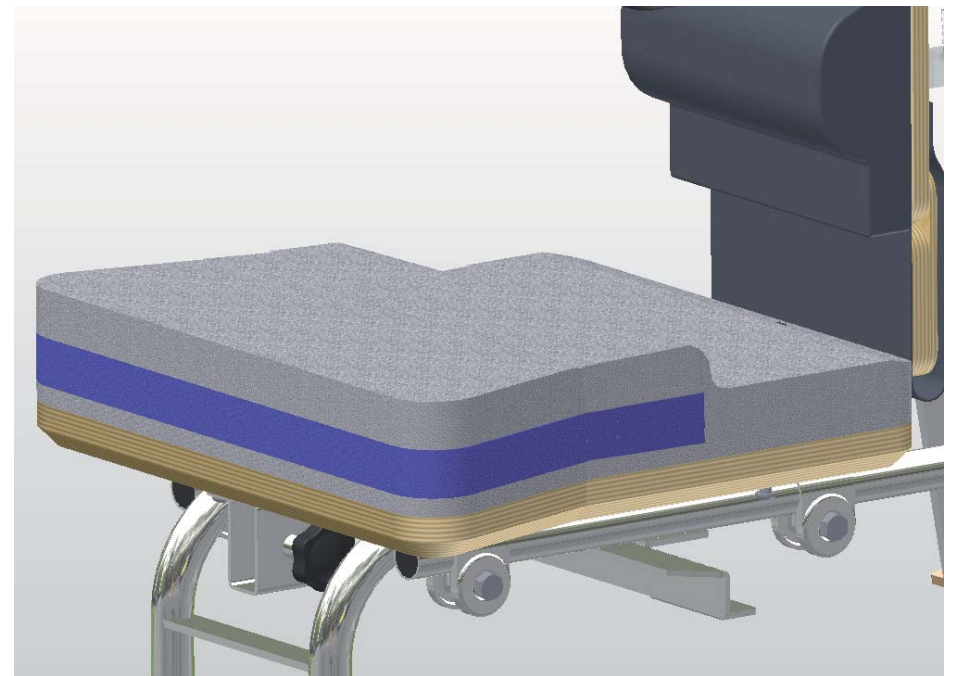


Furthest Forward Position

## Adjustment - Pre Seat Bone Shelf Length

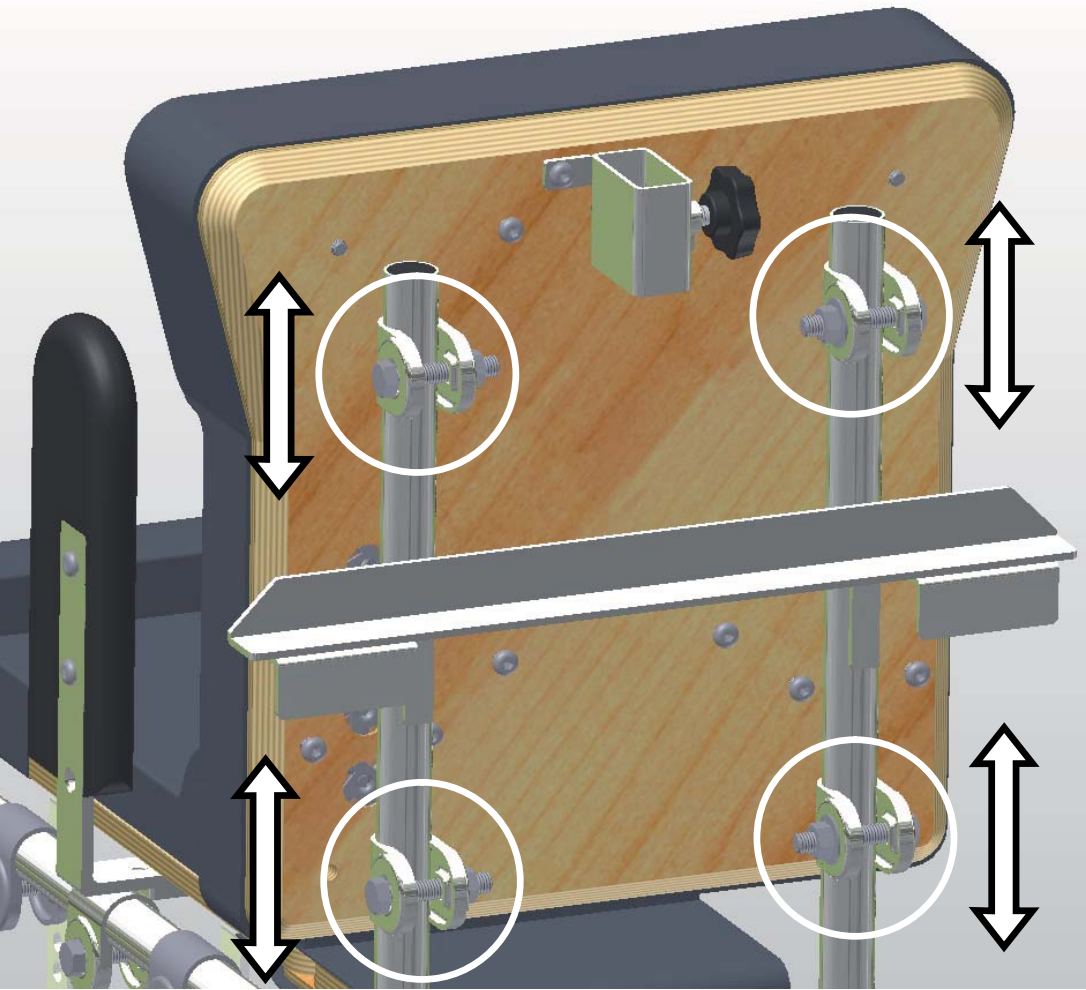
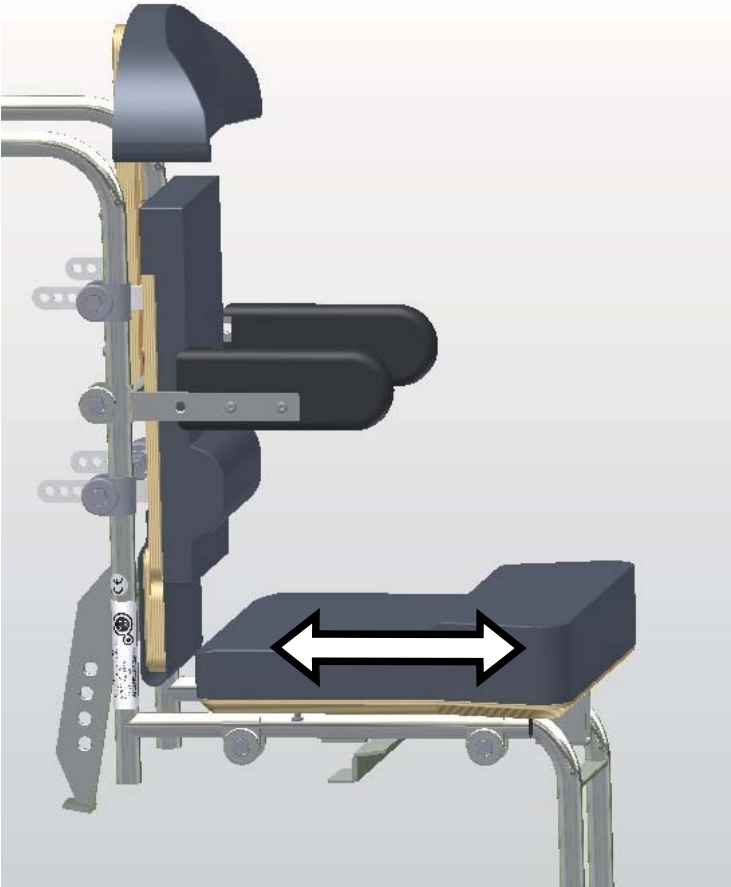


Shortest Length



Longest length

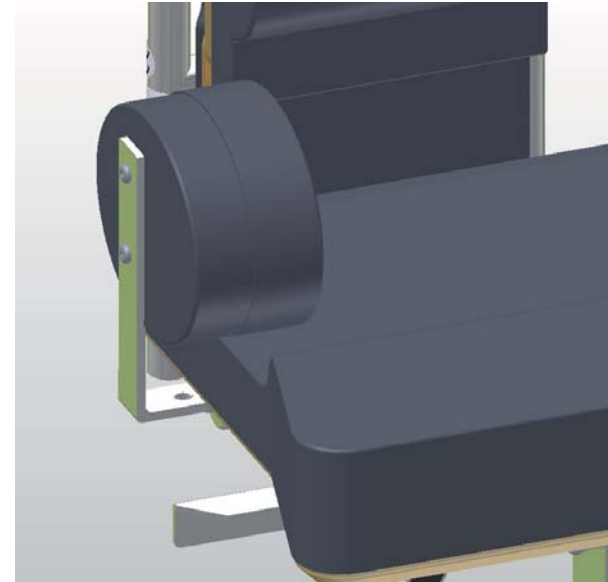
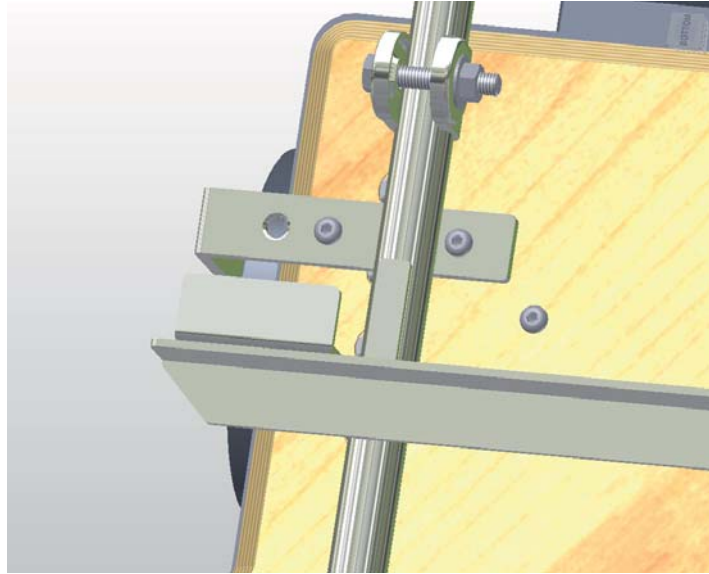
# Adjustment - Seat Length



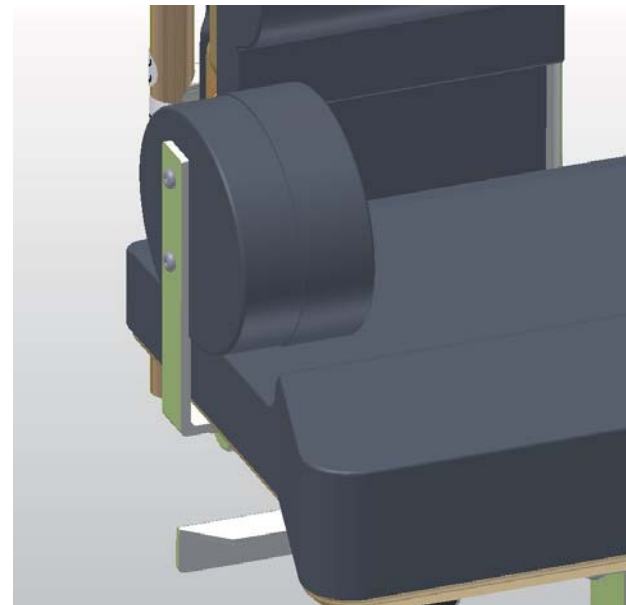
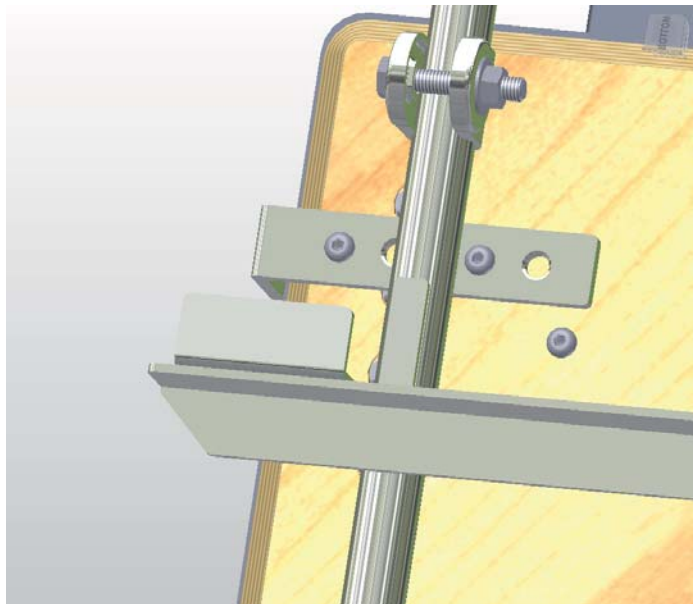


## Adjustment - Hip Pad Width

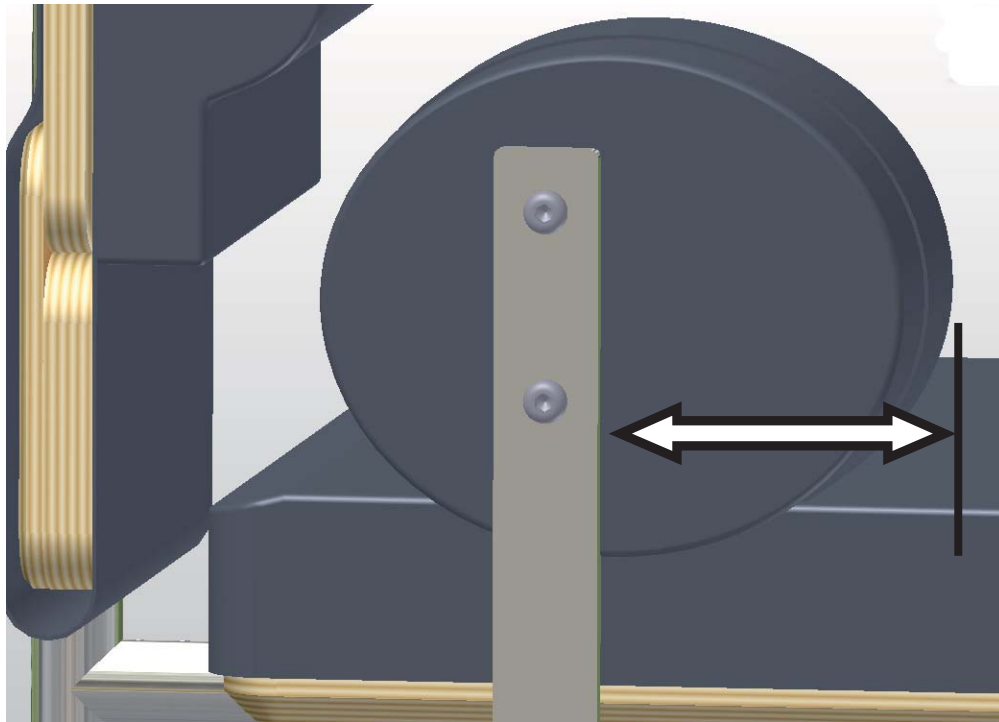
Wide Position



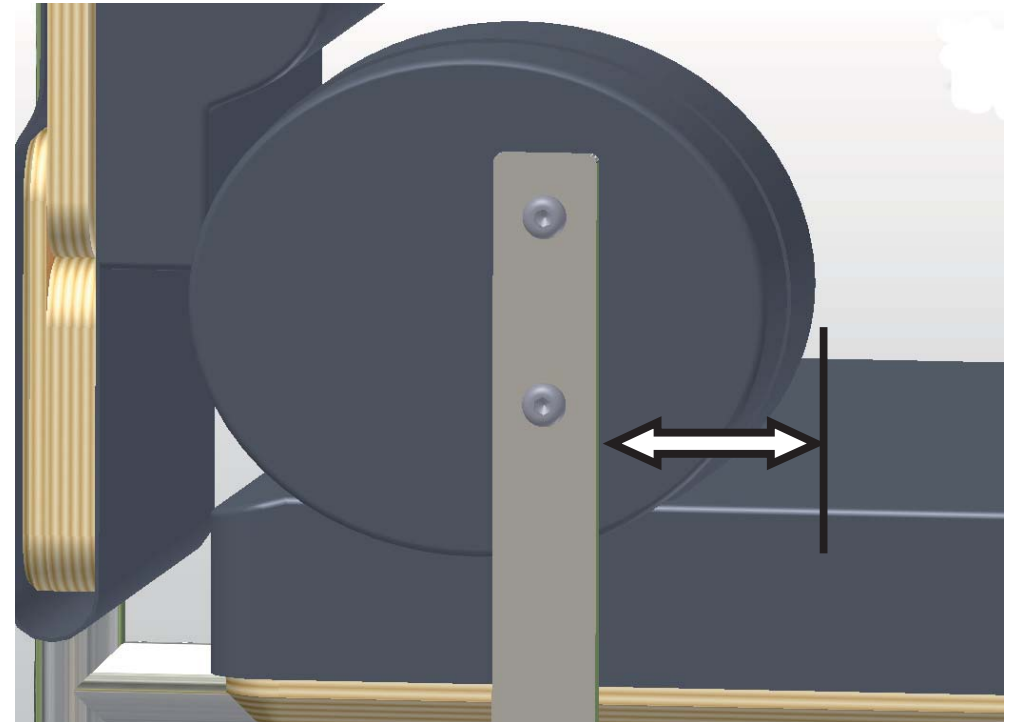
Narrow Position



## Adjustment - Hip Pad Forward/Back Position



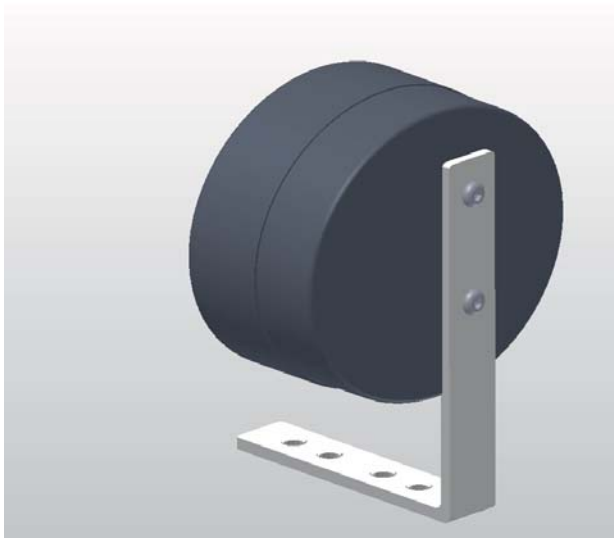
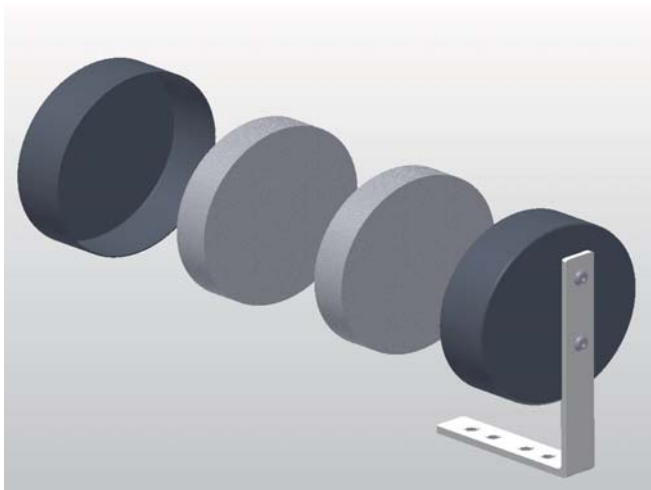
Forward Position



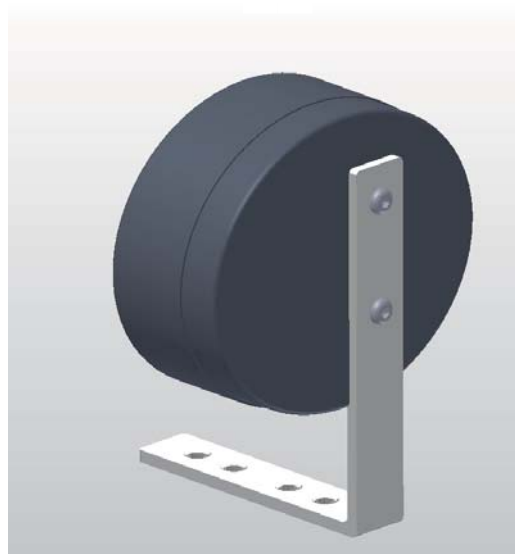
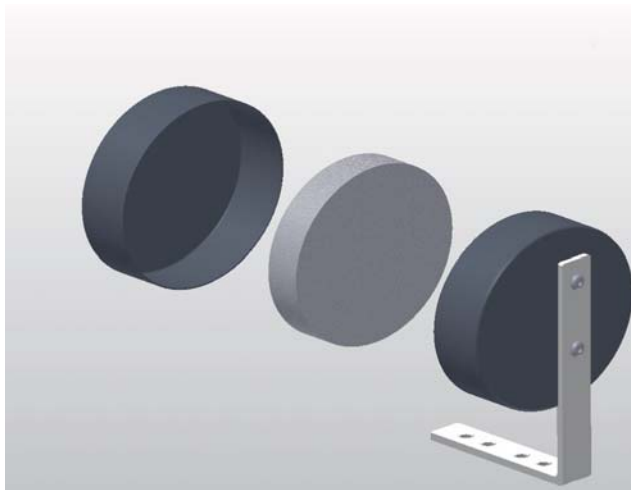
Back Position



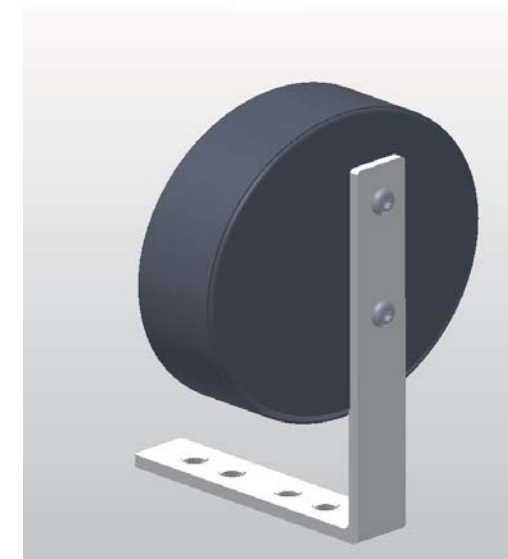
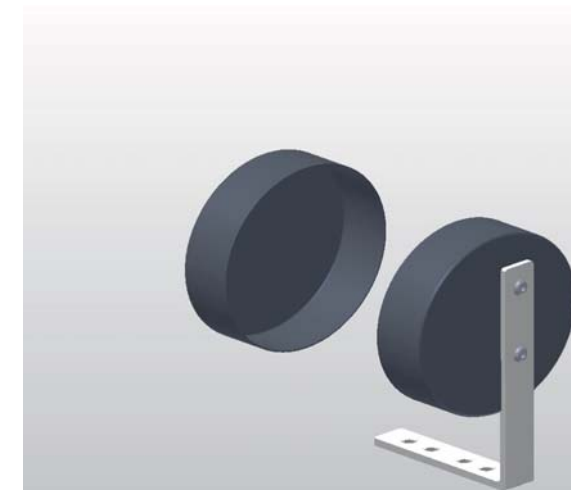
## Adjustment - Hip Pad Thickness



Wide

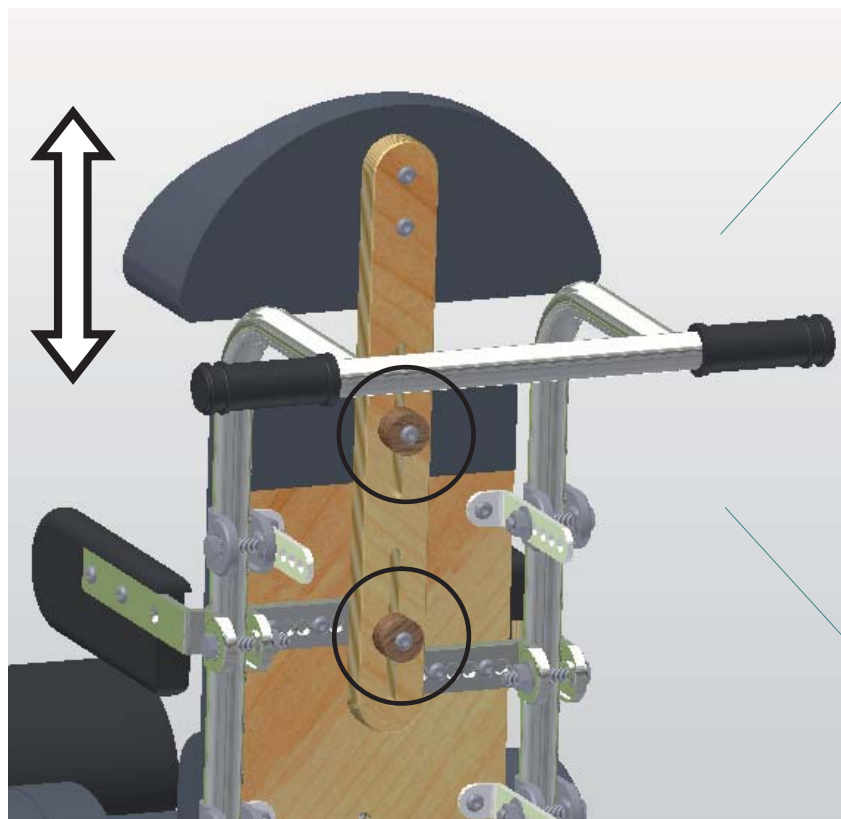


Medium

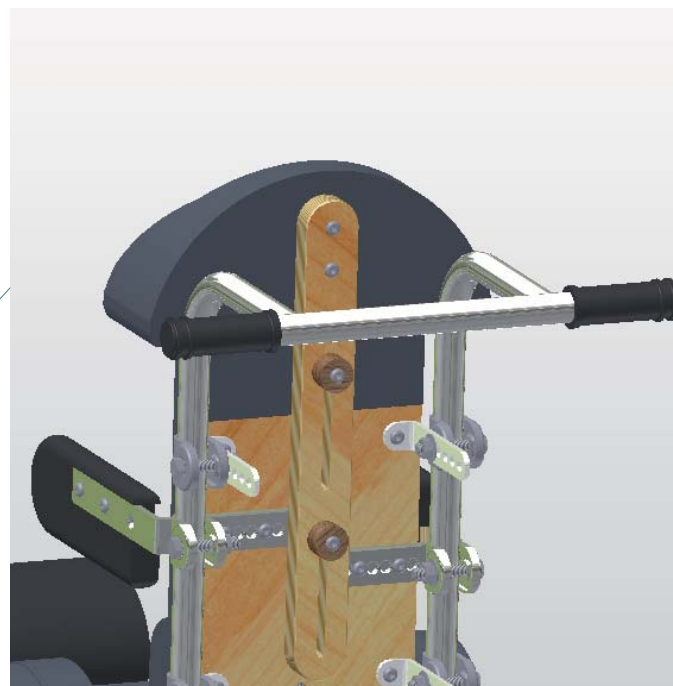


Narrow

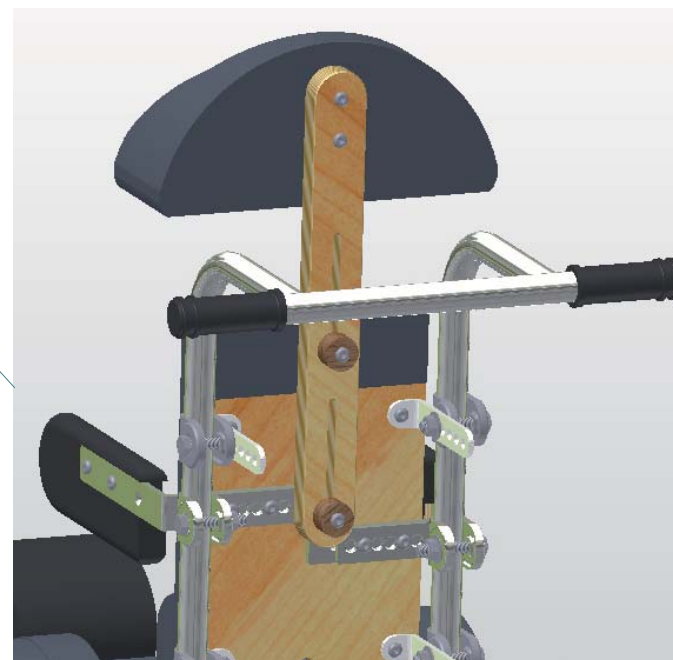
## Adjustment - Headrest Height



Middle Height Position

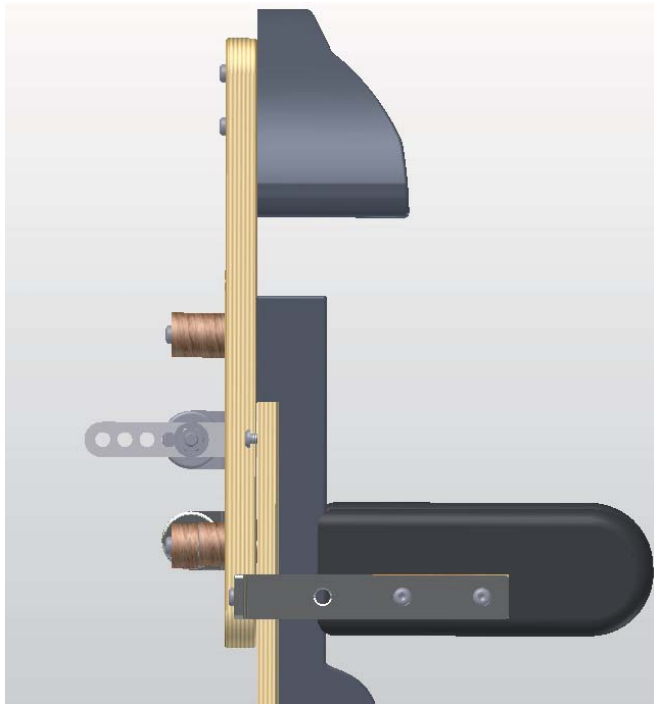
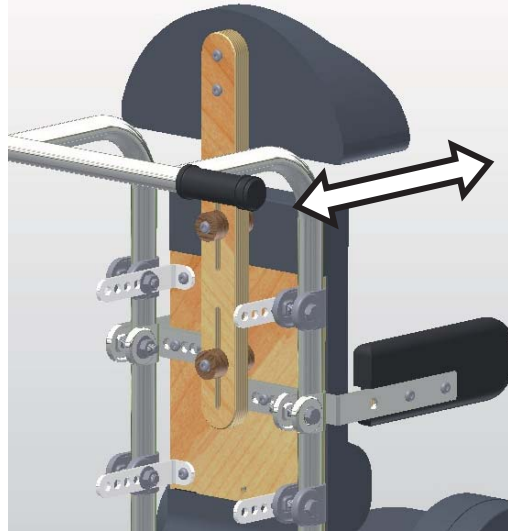


Lowest Position

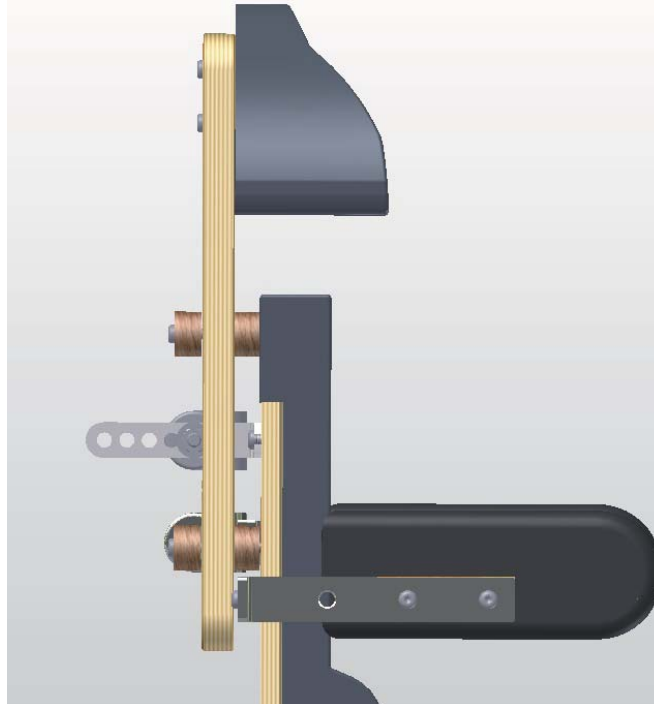


Highest Position

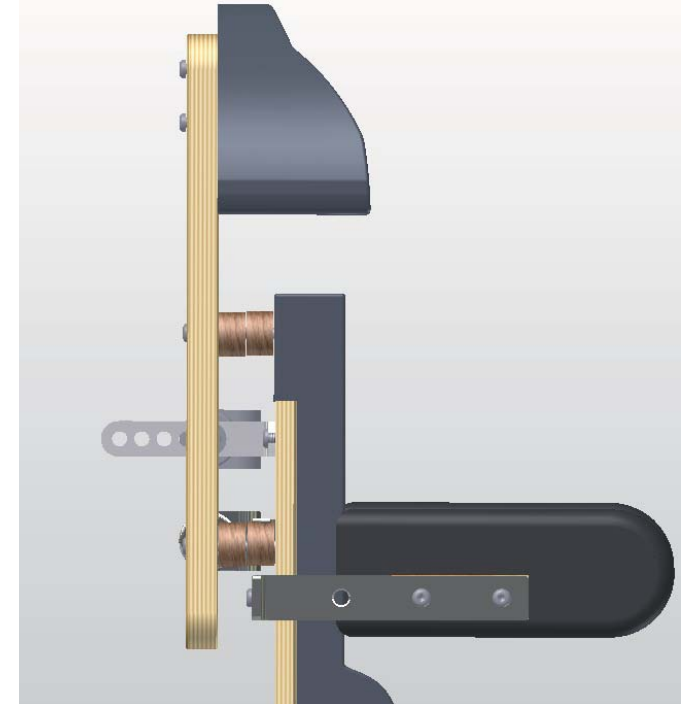
## Adjustment - Headrest Forward / Back Position



Forward

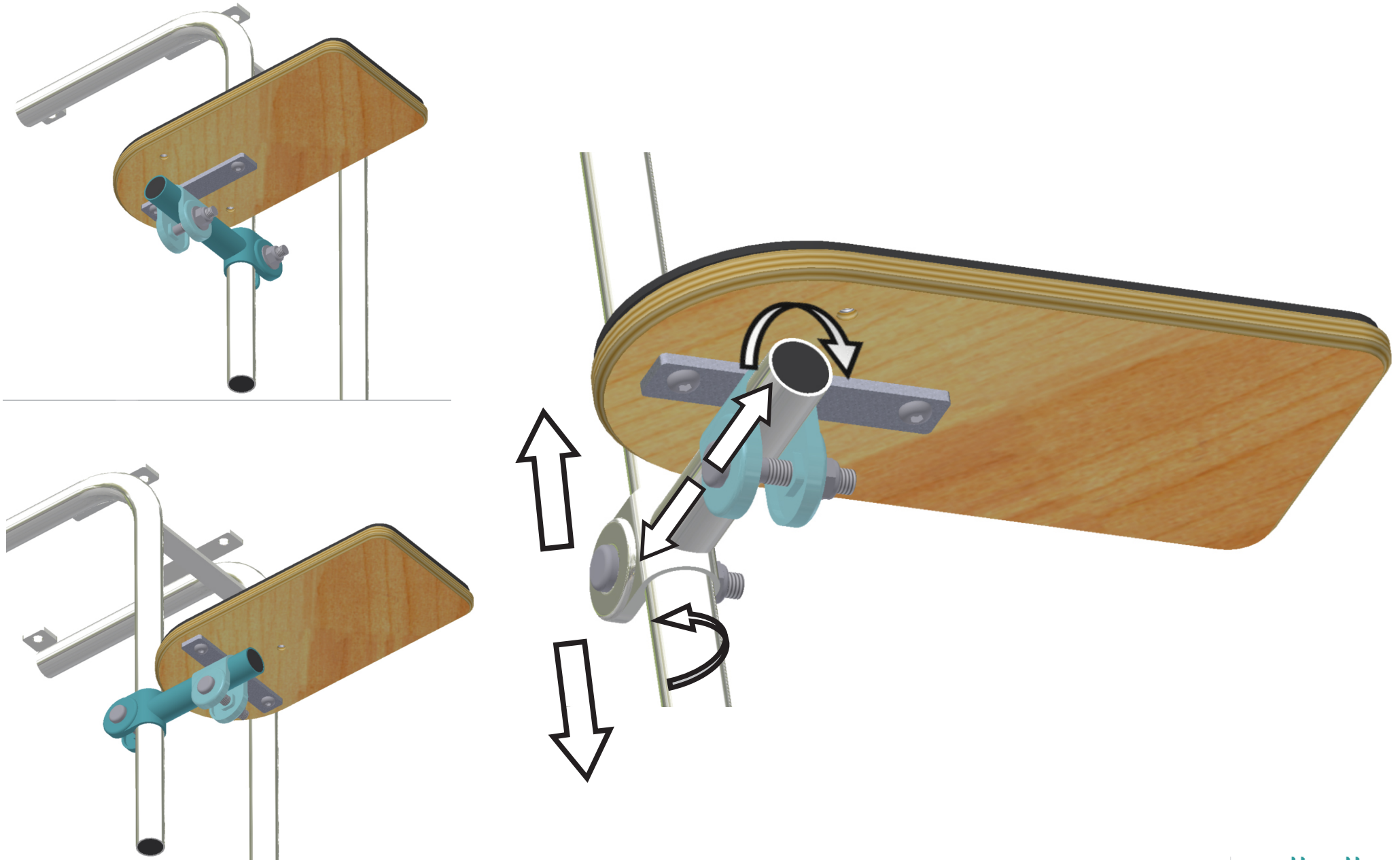


Middle



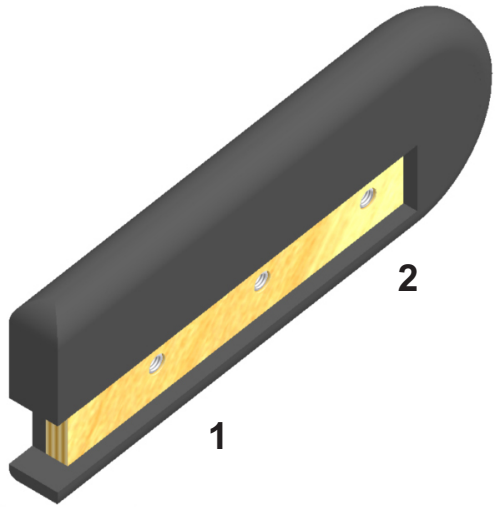
Back

## Adjustment - Footrest Height and Angle Positions

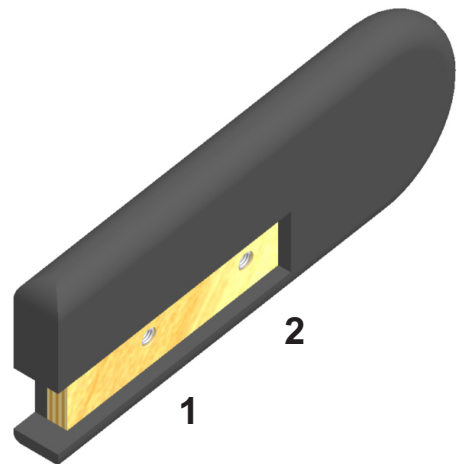
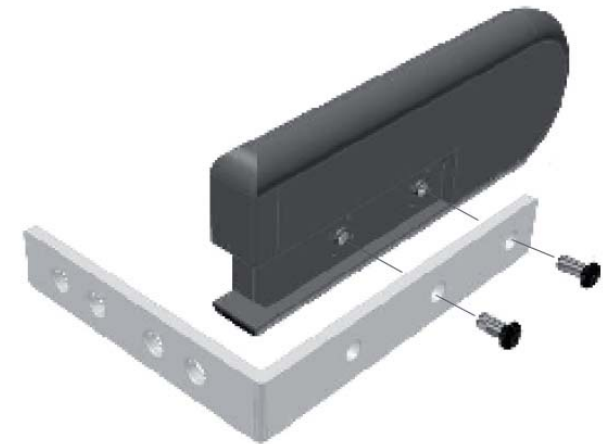
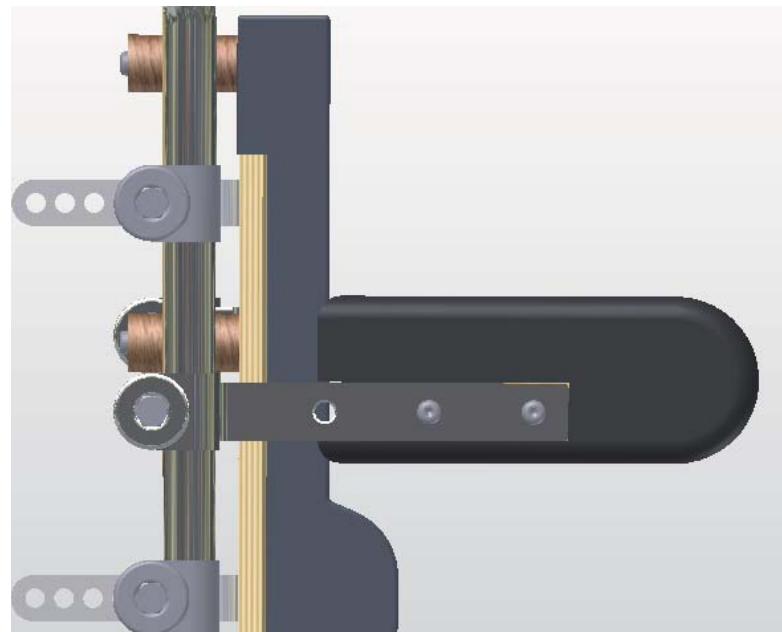
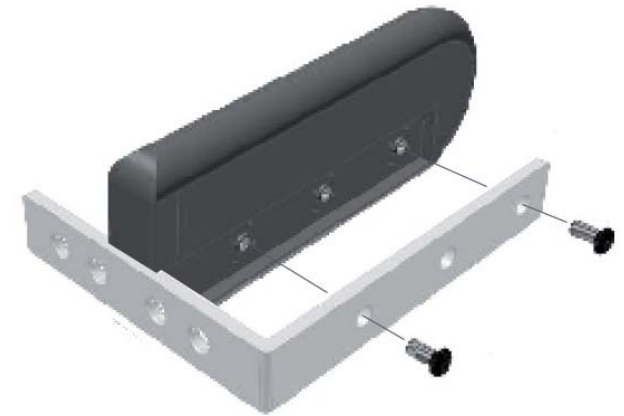
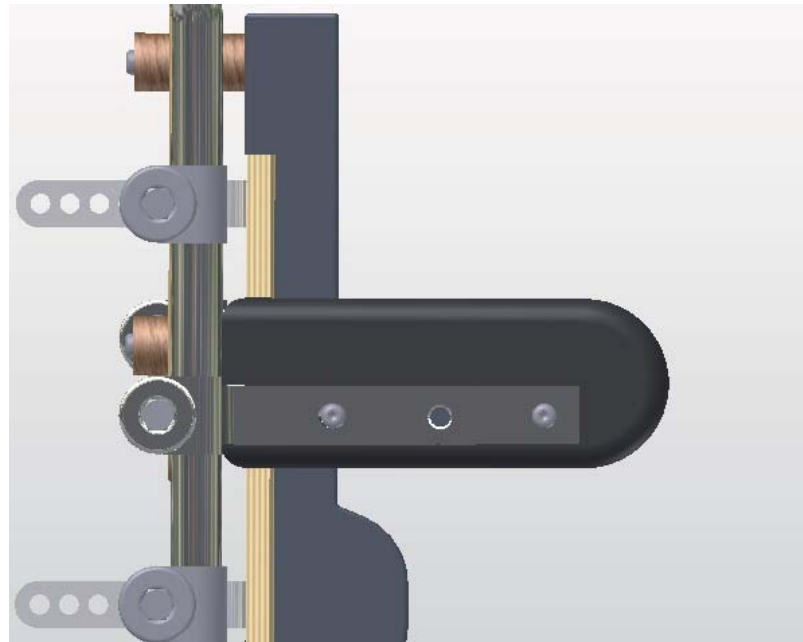




# Adjustment - Lateral Trunk Support Forward / Back Position

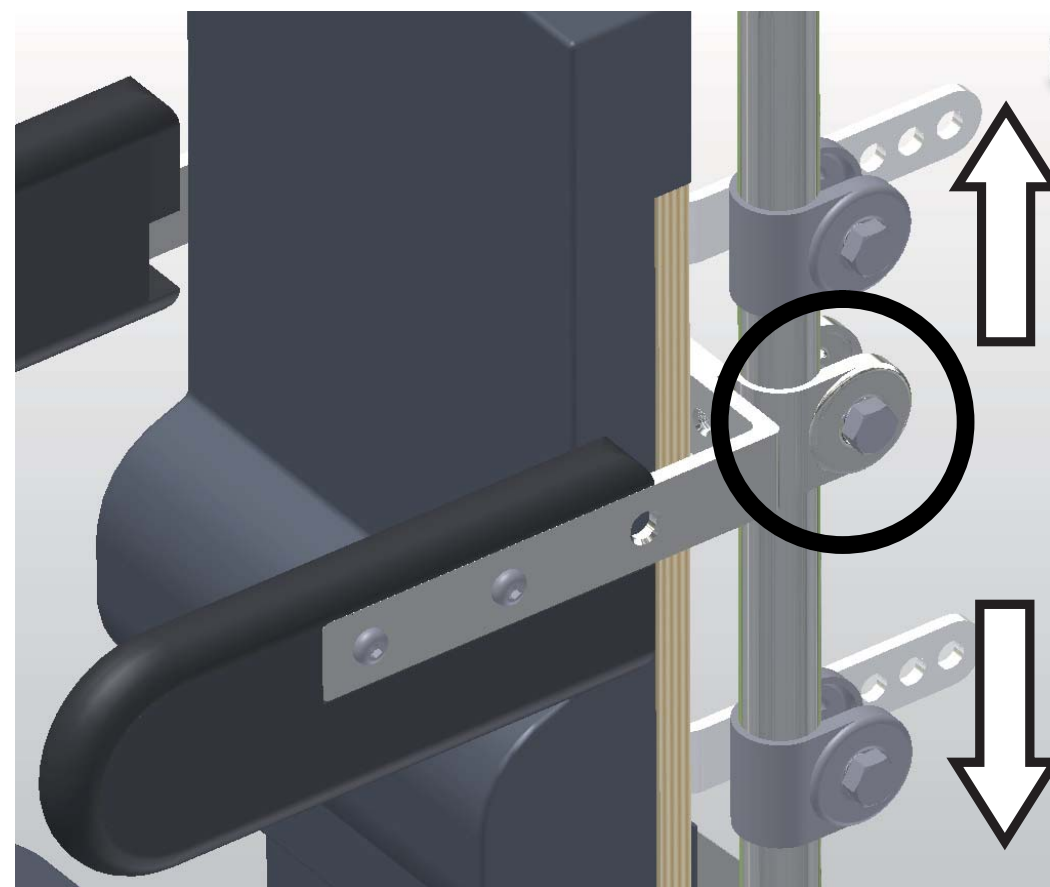
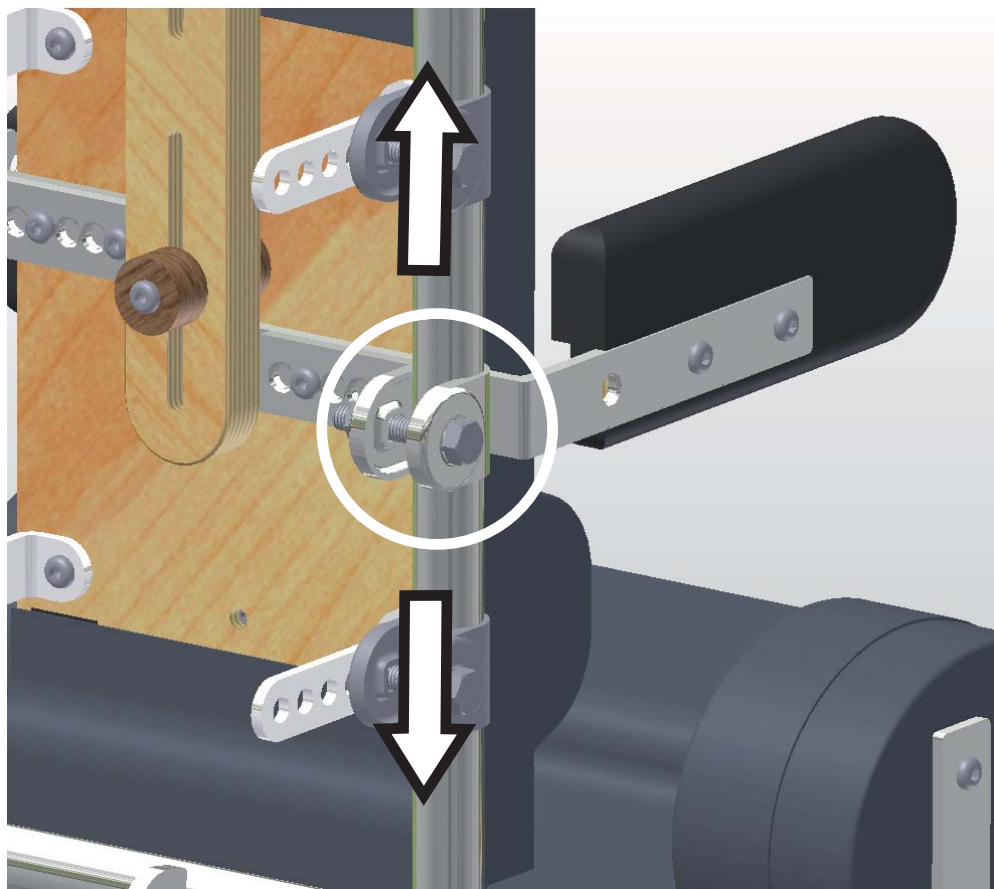


Back Position

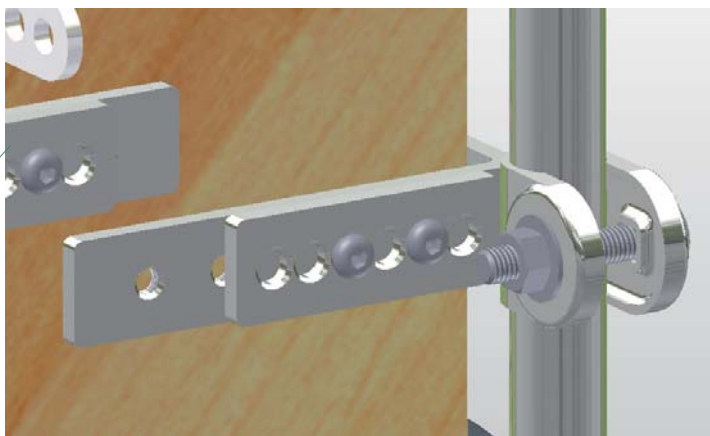
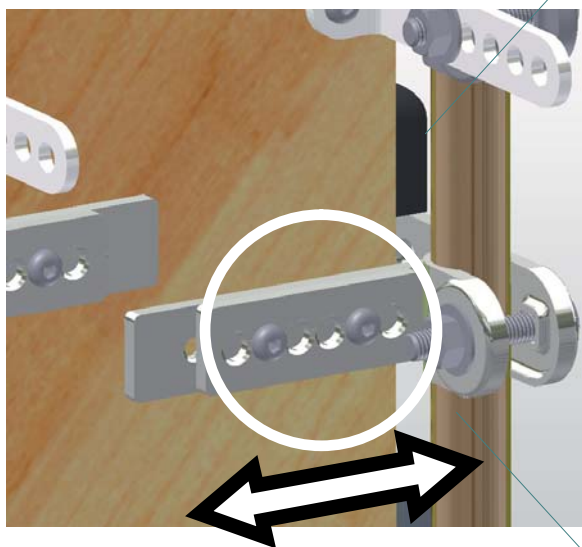


Forward Position

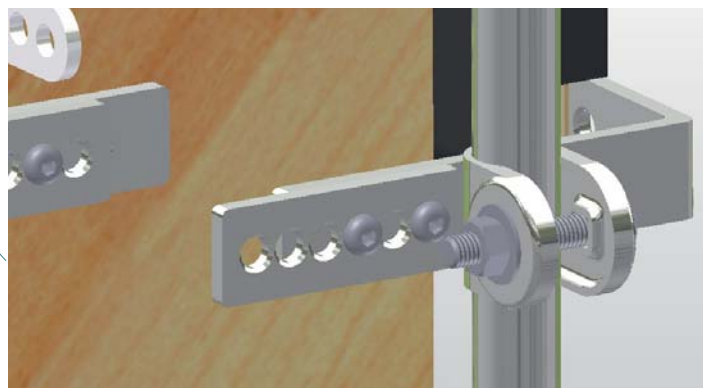
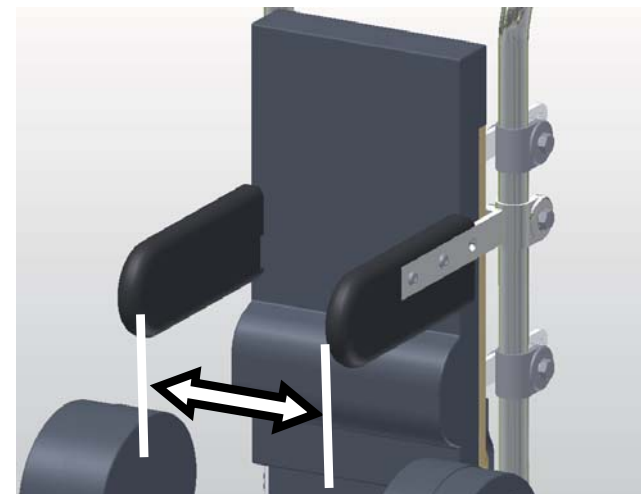
## Adjustment - Lateral Trunk Support Height



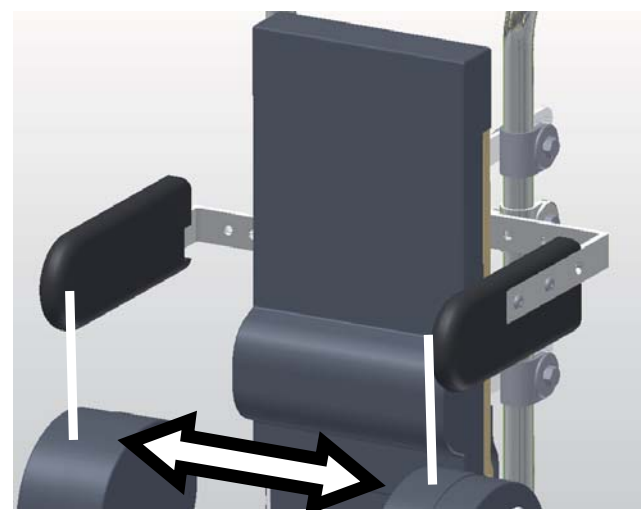
## Adjustment - Lateral Trunk Support Width



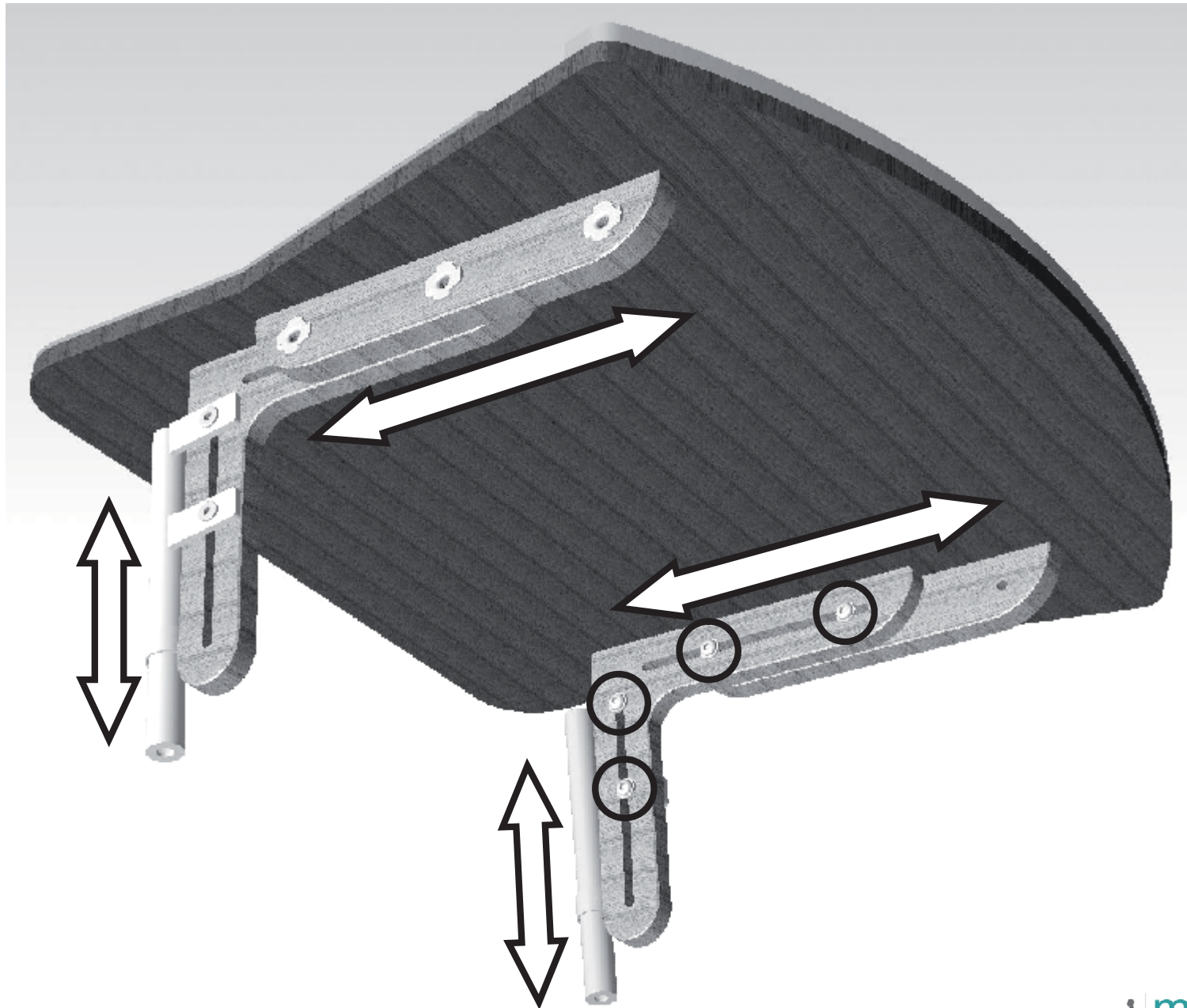
Narrowest Position



Widest Position

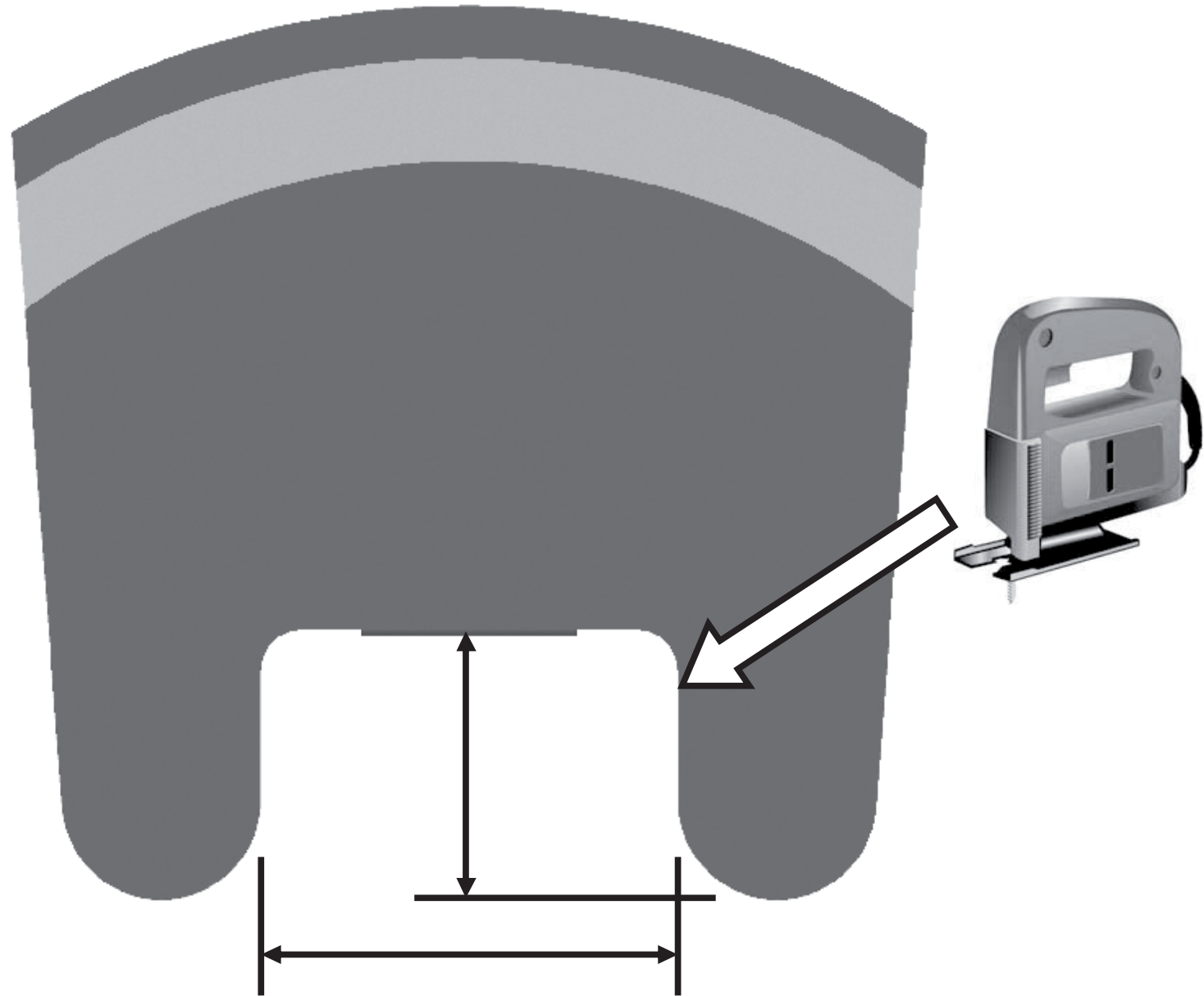


## Adjustment - Tray Height and Forward / Back Position





## Adjustment - Tray Cut-Out Width and Length



# Adjustment - Knee Abductor Width and Angle

