

Product Summary: Rough Terrain Wheelchair

A robust and sturdy 3-wheel design that provides extra stability and easy propulsion over uneven ground.

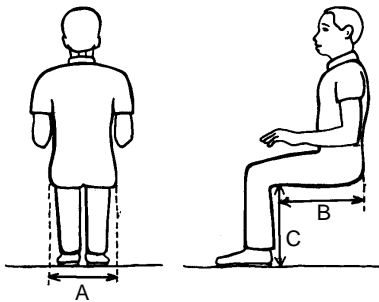
Motivation Rough Terrain Wheelchair	
Product Code	WM3 - 01
Product Description	Rough terrain, adjustable, active 3 wheel wheelchair
Manufacture	Made in China under licence from Motivation
Document Issue	9
Date of issue	19 March 2018



Overview

- The Motivation Rough Terrain wheelchair is an active style, rough terrain wheelchair allowing either self or attendant propulsion.
- It consists of a tubular steel frame, with aluminium components and zinc plated steel fasteners.
- It has a single large rubber castor wheel at the front and a long wheelbase. This helps the user to propel safely over uneven and inclined ground.
- The wheelchair has been designed so that parts are easy to replace or repair and uses common wheel and bearing sizes.
- The boxed flat-pack wheelchair kit comes in a choice of four width sizes. All other wheelchair adjustments can be adjusted at the prescription and fitting stage for each individual user.
- The wheelchair is individually assembled and fitted to each user by trained assemblers & prescribers.
- The wheelchair and its packaging are designed for easy disassembly for recycling or reuse.
- Every wheelchair is supplied with a contoured pressure relieving cushion, which can be cut-to-size for each user. Each cushion has a water resistant size adjustable cover.
- Reflective stickers are located on the front and back of the wheelchair for increased visibility and safety.

Product user group

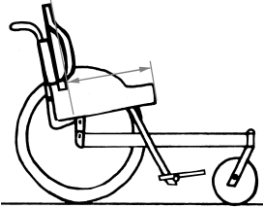


- The wheelchair can be used by people with a range of mobility disabilities. It is most suited to people living in areas of rough terrain.
- The chair is suitable for users whose body measurements fall within the following ranges:
 - A. Hip width: 360 – 480 mm
 - B. Buttock to back of knee: 390 - 500 mm
 - C. Back of knee height from bottom of feet: 310 – 430 mm
- Maximum user weight: 113 kgs or 250 lbs.

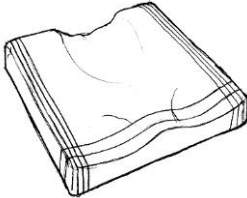
Environment

- The wheelchair is designed for better performance over rough ground and in conditions normally found in rural areas, however it can also be used in urban and semi-urban areas.
- The long wheelbase, large front castor wheel and cambered rear wheels provide enhanced stability and easy riding over uneven ground. Users may still require assistance over extremely rough ground, high curbs or steep inclines.
- Although the wheelchair is primarily for outdoor use it is suitable for use indoors. Users may experience some limitations in very confined spaces because of its long wheelbase.

	Wheelchair adjustments
Back wheel (balance) position	The product can be prescribed in <i>active</i> and <i>safe</i> rear wheel positions (the <i>safe</i> position is 70 mm further back than the <i>active</i>).
Backrest angle	The backrest can be set to three angles - <i>upright</i> , <i>middle</i> & <i>back</i> with a total adjustment range of 8°.
Backrest height	The backrest can be set in two height positions – <i>high</i> and <i>low</i> (the <i>high</i> position is 80 mm higher than the <i>low</i> position).
Footrest angle	The footrest mounting clamp design, allows for 180° of angle adjustment of the footrest plate, and can be set to any angle position to suit the individual's user's needs.
Footrest height	The footrest can be adjusted to 11 different height options with a total height range of 120 mm.
Footrest position	The footrest can be adjusted to suit different sitting postures, i.e. legs

	vertical or tucked – using <i>forward</i> and <i>backward</i> positions (65 mm difference).
Sacral pad	The backrest comes with an easily height adjustable lumbo-sacral pad.
Seat depth	<p>The seat base and the cushion can be cut to three different depths - 360, 400, 440 mm.</p> <p><i>Note: The seat depth is measured from the front surface of the Backrest to the front edge of the Seat base</i></p> 
Seat width	The product comes in a range of different seat widths - 360, 400, 440, 480 mm.

Performance specifications	
----------------------------	--

Armrests	The chair is supplied with removable aluminium arm supports to facilitate pressure relief lifts, transfers and sitting in a rested position. The armrests also protect both the user and the sides of the cushion from mud and dirt.
Backrest	Posturally supportive solid backrest – with lateral support feature, angle and height adjustment options and adjustable lumbo-sacral pad. Polyurethane foam padding inside water resistant / fire retardant nylon upholstery.
Box details	Box dimensions: 900 x 670 x 335mm. Gross weight: 27 Kg Plain brown five-ply cardboard with black printed graphics. The packaging is <i>not</i> waterproof.
Brakes	Adjustable aluminium toggle brakes, with rubber grips.
Castor wheel	One rubber castor wheel, diameter 220 mm, width 60 mm.
Colour	Black.
Cushion	<p>Pressure relieving cushion (high quality contoured moulded polyurethane foam) inside water resistant / fire retardant nylon cover.</p> 

Disposal	The product has been designed to be disassembled for reuse or recycling at the end of its serviceable life. If disposal is necessary please contact your local service provider first as they may be able to reuse parts of your wheelchair.
Lifecycle	The product is designed to provide at least 5 years of service, during normal use and providing it is appropriately maintained. Each user is supplied with a set of Allen keys and spanners, a puncture repair kit and a pneumatic tyre pump to assist with home maintenance.
Push handles	Ergonomically positioned push handles with non-PVC grips provided.
Pushrims	Diameter 19 mm chrome plated steel pushrims, attached to wheel rim in four places.
Rear wheels	26" x 1 3/8" diameter rear wheels, with 36 spoke aluminium rims. Robust 36 spoke hub with two 6001zz bearings and diameter 12 mm axles.
Seat	Varnished 12 mm plywood seat base (supplied with pressure relief cushion – see “Cushion”)
Standards	The product conforms to the relevant sections of International Standards Organisation (ISO) standard ISO: 7176, including fire retardant foam and fabric and is ISO 9001 (2008- 2013) and ISO 13845 (2008- 2013) certified.
Straps	Five straps are supplied with the chair; two placed vertically either side of the legs, one calf strap and two foot straps.
Transport / storage	The product can be easily collapsible by users for stowing on public and private transport. The rear wheels and the armrests can be removed, and the backrest can be folded without requiring tools.
Tyres	Pneumatic - medium tread.
Weight	Net weight of rough terrain wheelchair: 22.9Kg